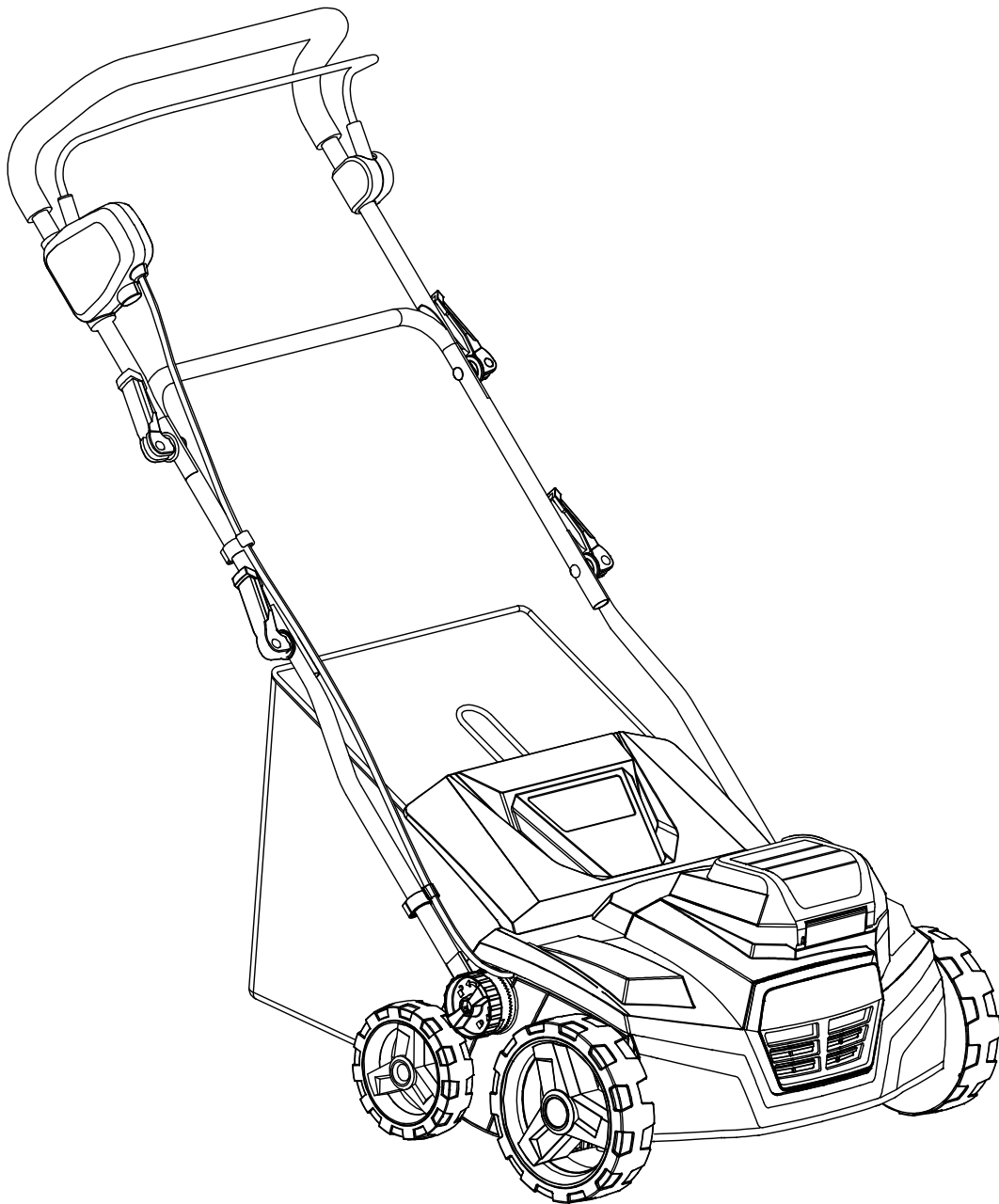


vonhaus

40V (2x 20V)

SCARIFIER & AERATOR



Setup Instructions

Product No. 3519009

Need further help?
support@vonhaus.com

Besoin d'aide supplémentaire ?
support@vonhaus.com

Benötigen Sie weitere Hilfe?
support@vonhaus.com

Necesita más ayuda?
support@vonhaus.com

Hai bisogno di ulteriore assistenza?
support@vonhaus.com

See our full range at
www.vonhaus.com

Découvrez notre gamme complète sur
www.vonhaus.com

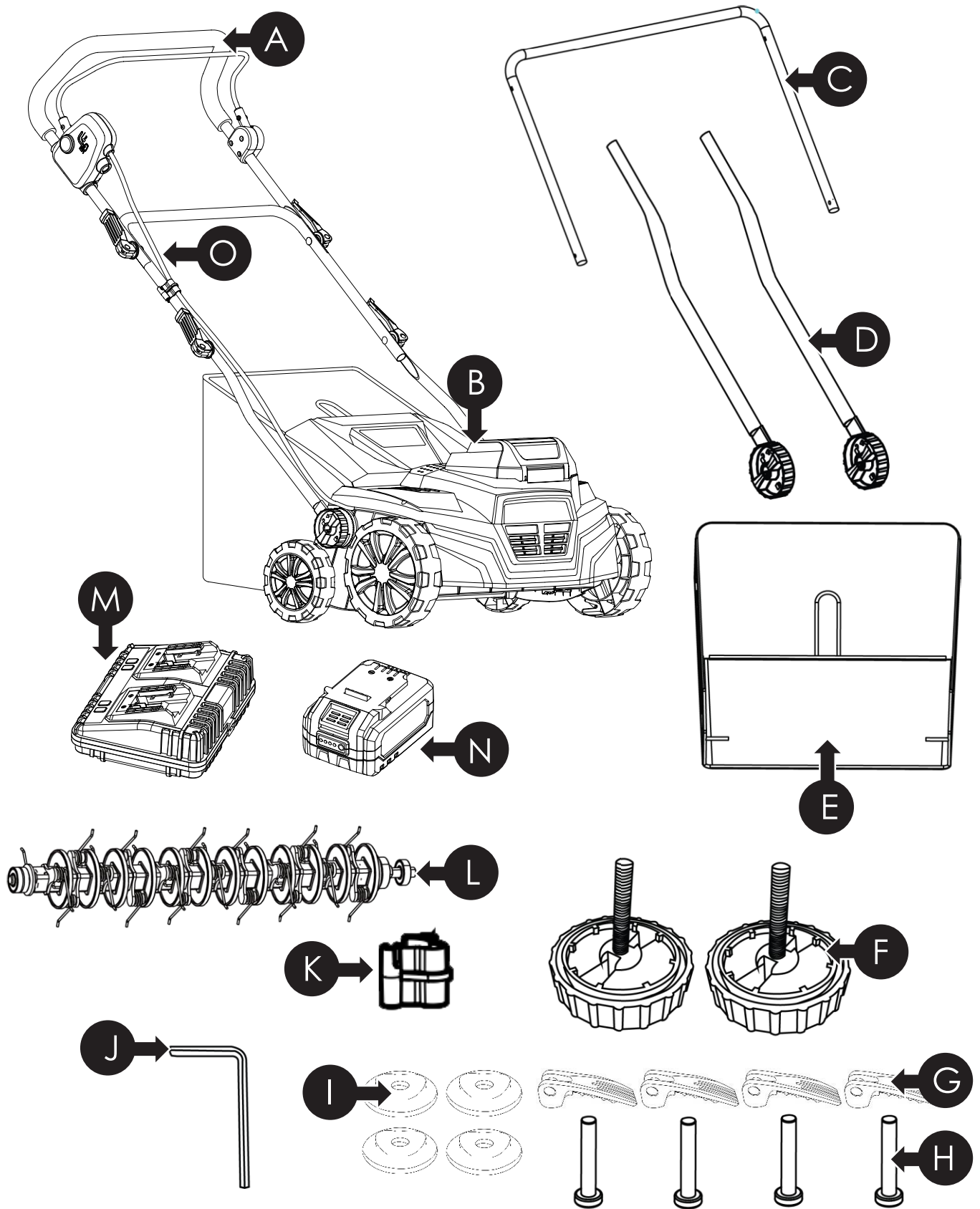
**Entdecken Sie unser gesamtes
Sortiment auf**
www.vonhaus.com

Descubra toda nuestra gama en
www.vonhaus.com

Scopri tutta la nostra gamma su
www.vonhaus.com

Components

Not to Scale



Components

A. Upper Handle

You must hold the handlebar with both hands during operation.

B. Main Unit

The central operating unit of the machine.

C. Middle Bar

Connects to the lower bars.

D. 2 x Lower Bars

Connect to the main unit.

E. Grass Collector Bag

Collects grass and debris during operation.

F. 2 x Lower Bar Locks

Lock the lower bars into place.

G. 4 x Wing Nuts

Secure the bars together.

Can be loosened to fold the handlebar down for storage.

H. 4 x Bolts

Secure the bars together.

I. 4 x Bar Washers

Feature indentations to help secure the bolts and wing nuts together.

J. Hex Key

Tool for assembly and maintenance.

K. Cable Clip

Keeps the cable secure and tight against the machine.

L. Rake Attachment

Tine attachment may already be installed.

M. Dual Battery Charger

Charges both batteries simultaneously.

N. 2x 20V 4Ah Batteries

Provide power to the machine.

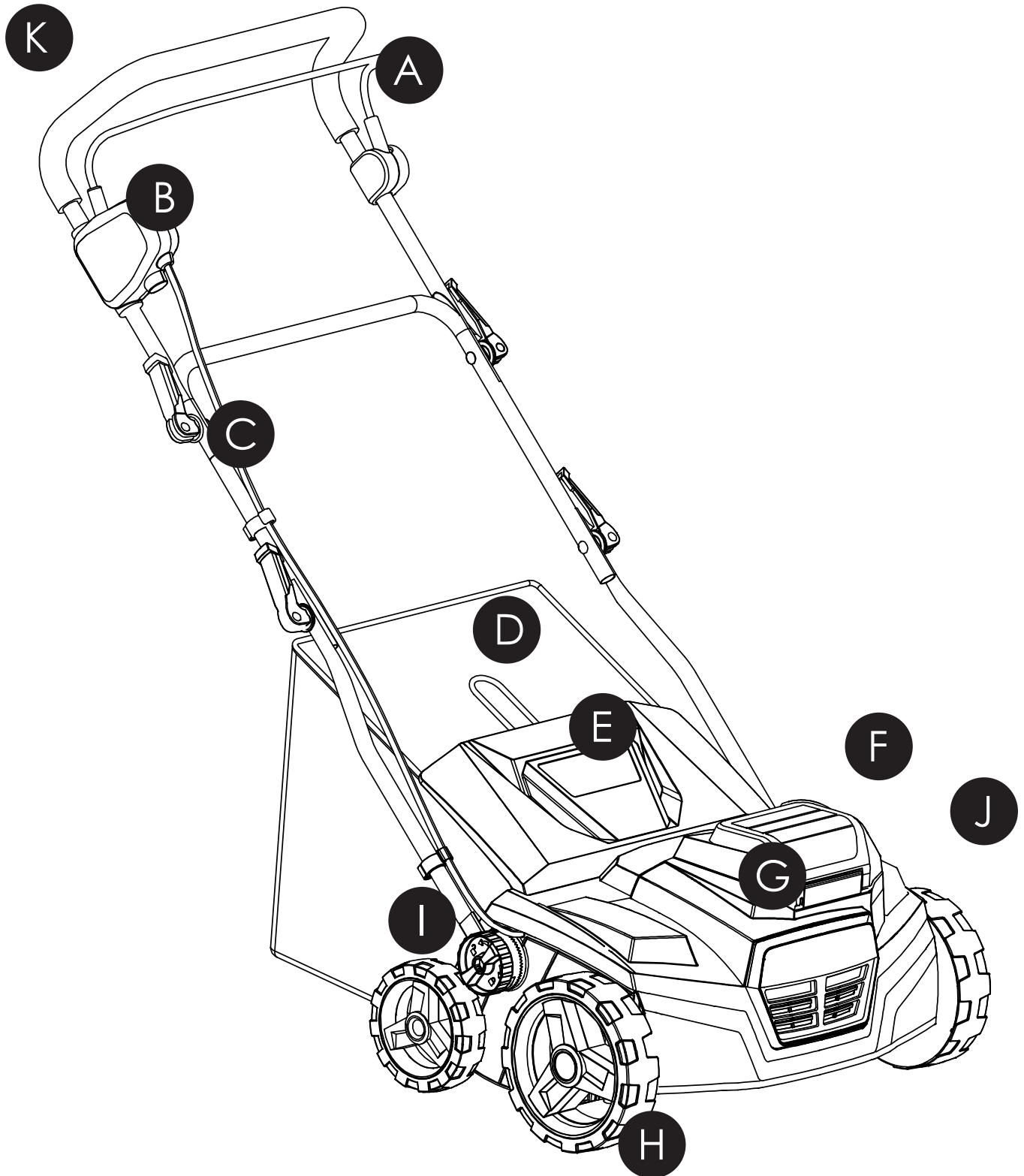
O. Power Cord

Connects the upper handle to the main body.

Transmits power from the batteries to the OPC (Operator Presence Control) controls and then to the motor.

Features

Fr: Composants / De: Komponenten / Es: Componentes / It: Componenti



Features

A. Operator Presence Control (OPC) Handle

Safety feature that stops the machine when the lever is released.

B. Safety Button

Prevents accidental machine startup.

C. Cable Clip

Keeps the cable secure and tight against the machine.

Houses the Hex Key.

D. Collection Bag

Collects debris during operation.

E. Rear Discharge Flap

Covers the rear discharge opening.

F. Battery Hatch

Houses the batteries and Safety Key.

G. Main Unit

Central operating component of the machine.

H. Wheels

Enable movement and maneuverability.

I. Lower Bar Lock

Secures the lower bar in position.

J. Depth Adjustment Handle

Allows adjustment of the scarifier's working depth.

K. Main Handlebar

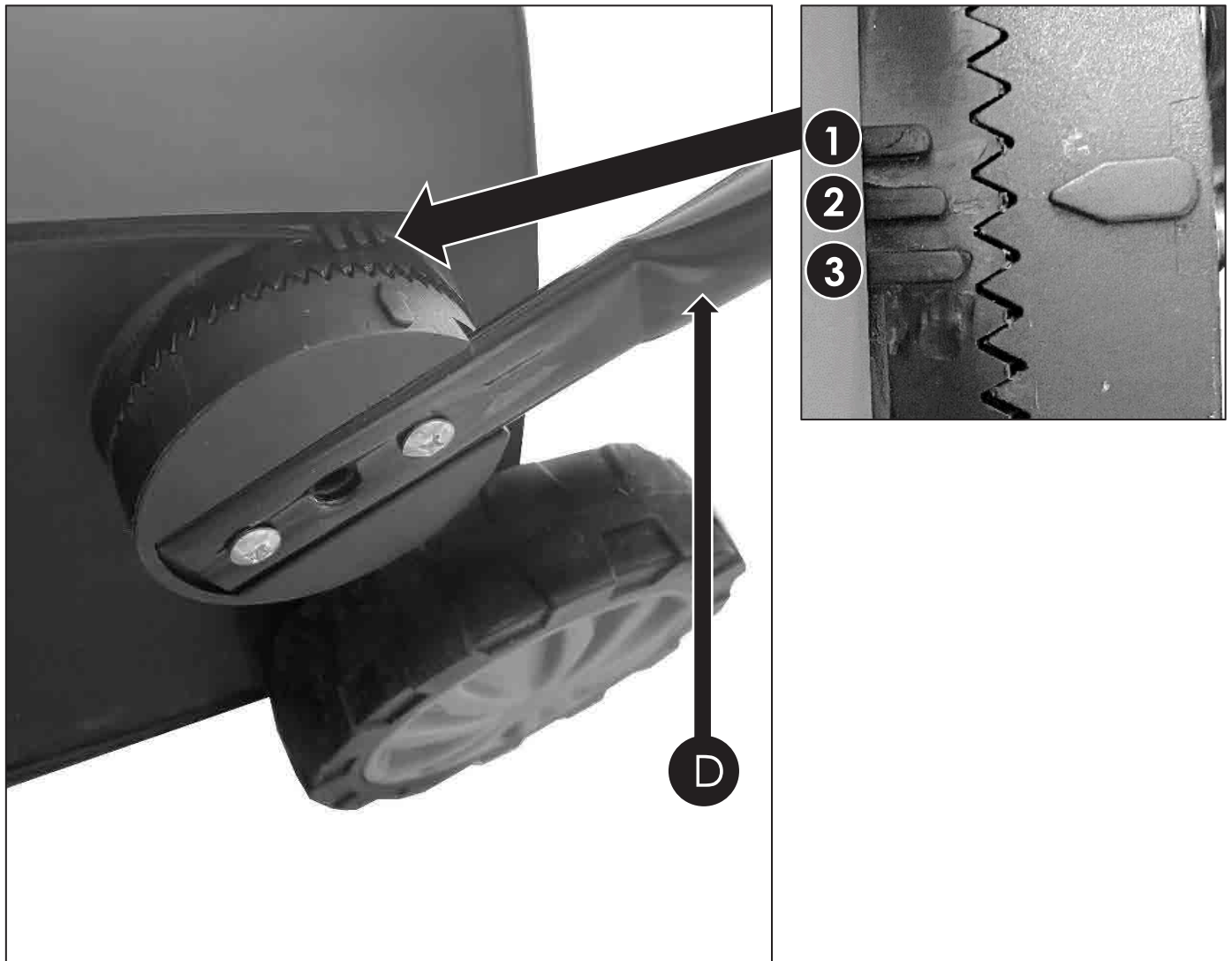
Must be held with both hands during operation.

Assembly

Step 1: Attach Lower Handles

1. Slot lower bars (D) into main unit, aligning arrow with your chosen height option:

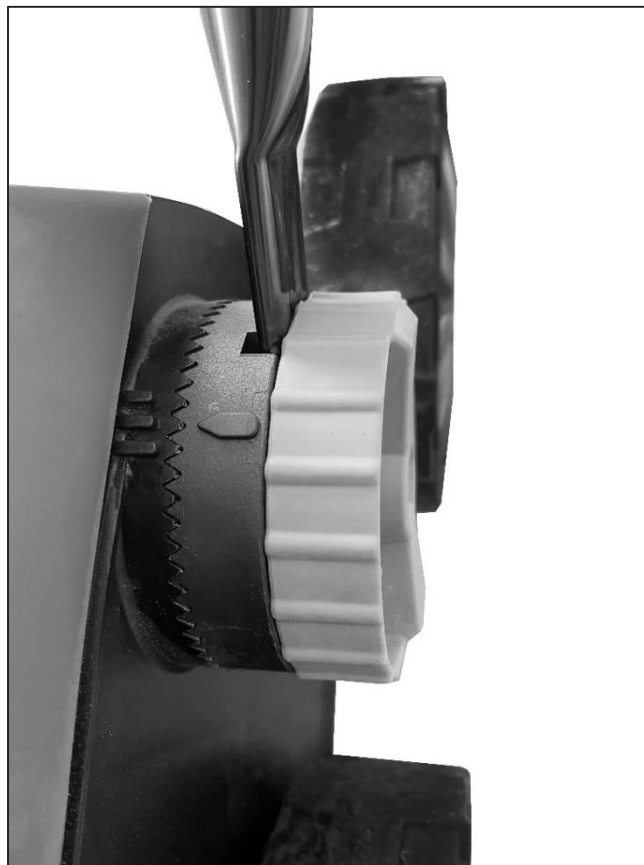
- Position 1: Shortest height
- Position 2: Standard height
- Position 3: Tallest height



Assembly

Step 1 (Continued)

2. Screw in the lower bar lock (F) until it is tight and secure. Turn clockwise to lock and anti-clockwise to unlock.



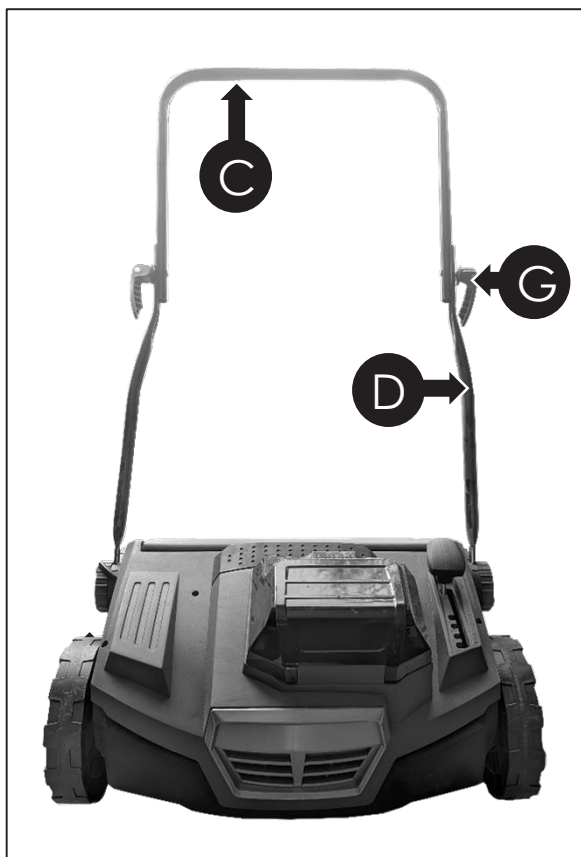
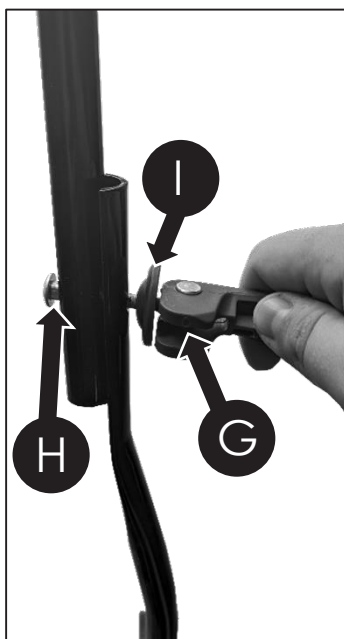
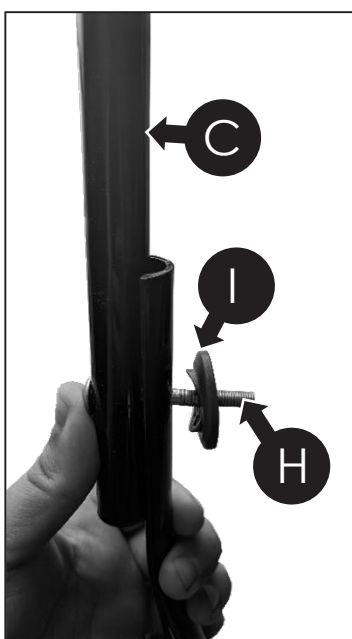
3. It should now look like this.



Assembly

Step 2: Attach The Middle Bar

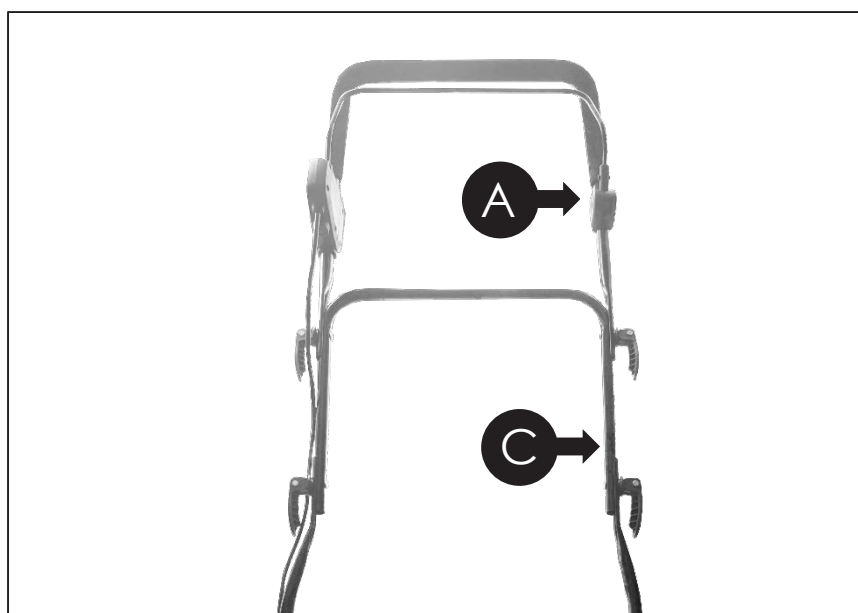
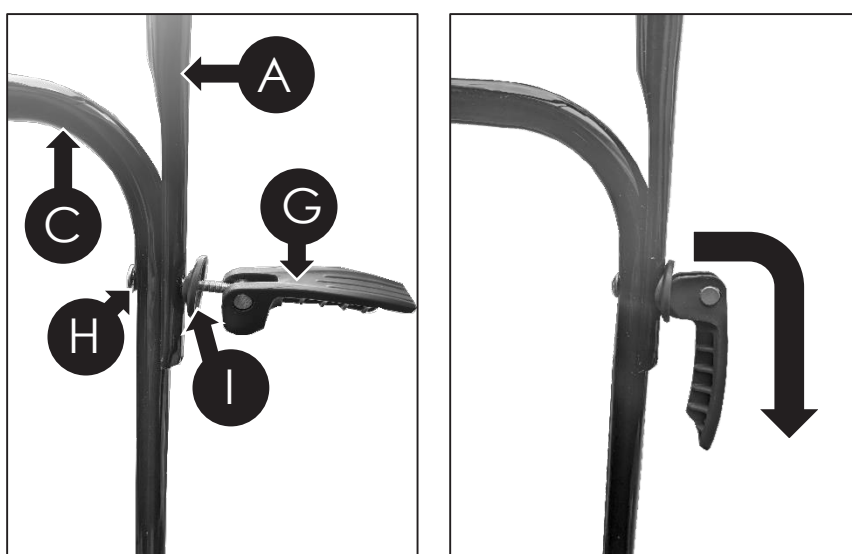
1. Connect the middle bar (C) to the lower bars (D) using the Bolt (H).
2. Place the Bar Washer (I) with the dip facing toward the bars.
3. Twist on the Winged Nut (G) clockwise. When you can press the downward the winged nut is tightened sufficiently.
4. Repeat on both sides



Assembly

Step 3: Attach The Upper Handle

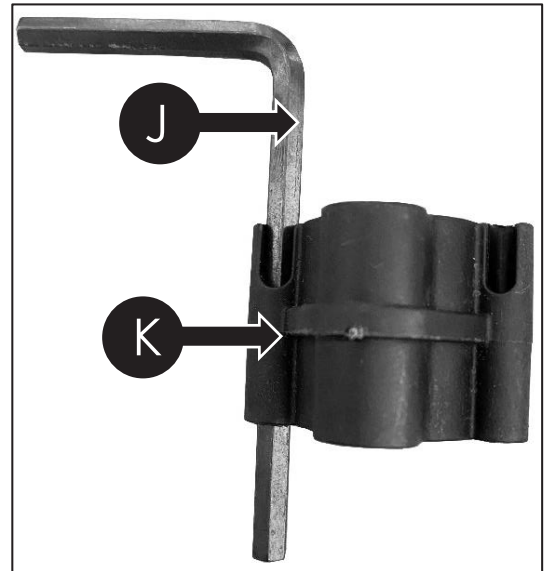
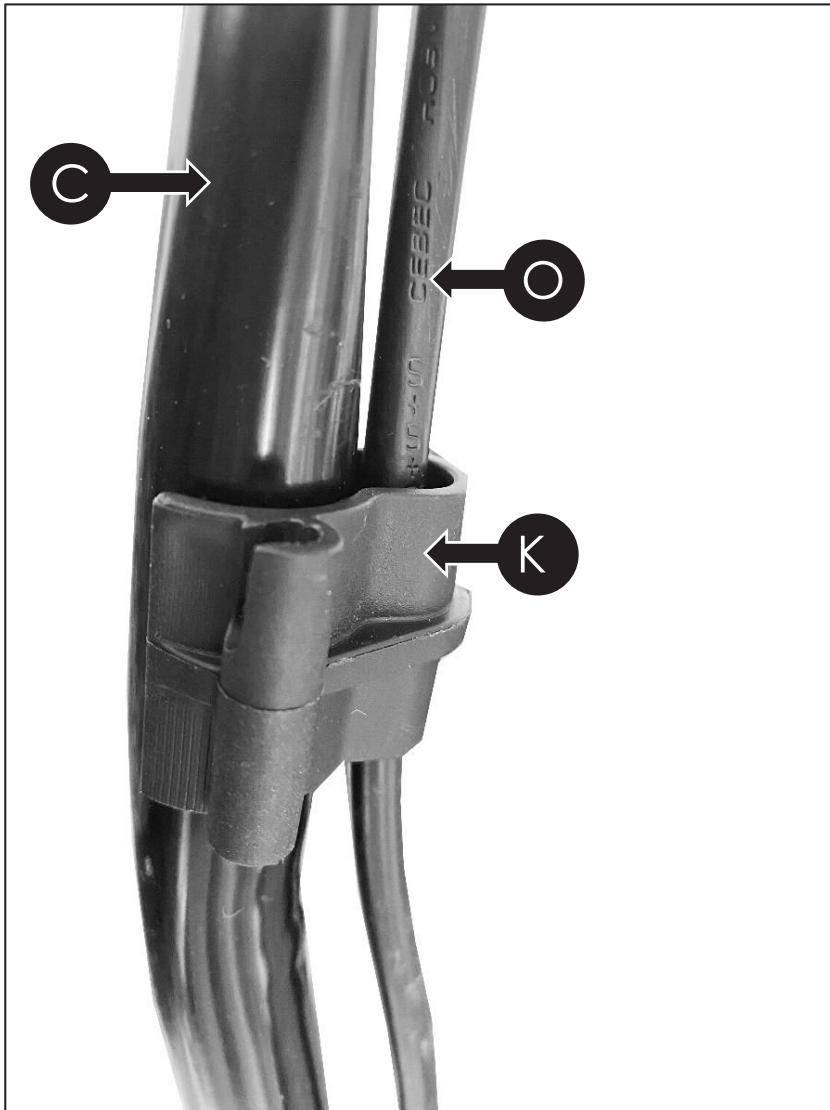
- A. Connect the upper bar (A) to the middle bar (C) using bolts (H). Make sure the upper bar is attached the correct way as shown in the image.
- B. Place the Bar Washer (I) with the dip facing toward the bars.
- C. Twist on the Winged Nut (G) clockwise. When you can press the downward the winged nut is tightened sufficiently.
- D. Repeat on both sides



Assembly

Step 4: Attach Cable Clip

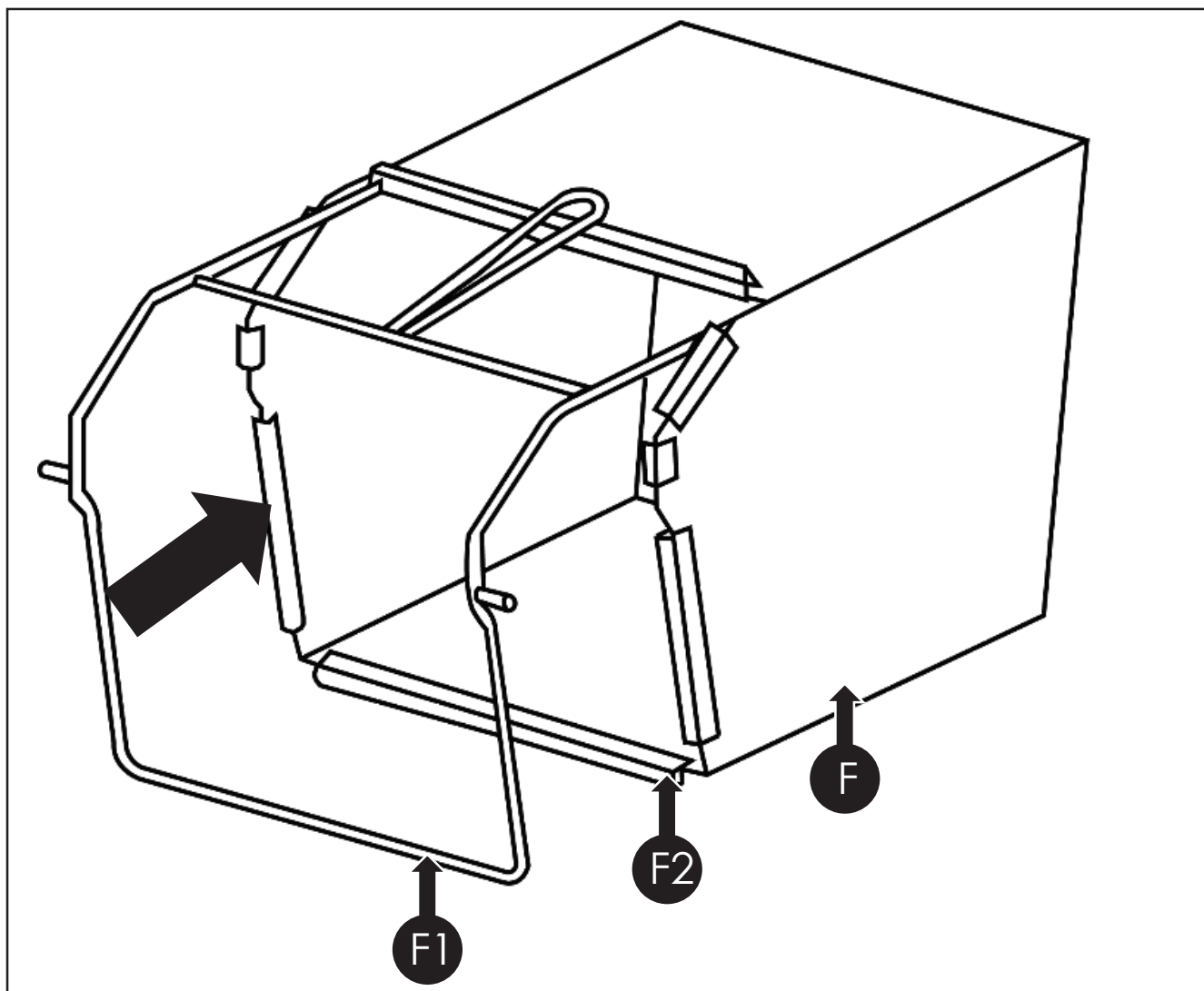
- A. Clip the power cord (O) onto the middle bar (C) using the cable clip (K). This will keep the cable secure and tight to the machine.
- B. You can also store the hex key (J) in the cable clip (K) as shown in the image.



Assembly

Step 5: Assemble Grass Collector

- A. Place the metal frame (F1) into the collection bag (F).
- B. Attach all fasteners (F2) and make sure they are secure.

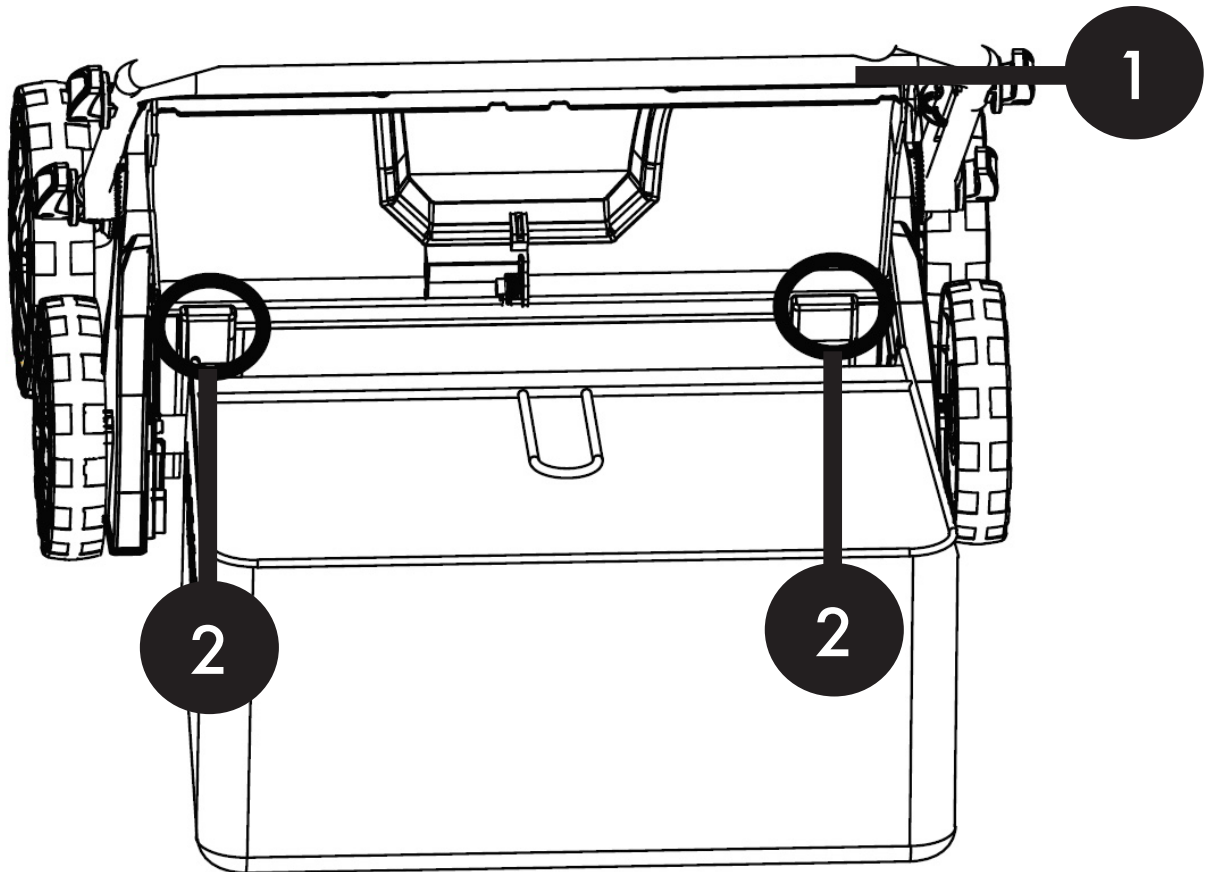


Assembly

Step 6: Attach The Grass Collector

⚠ You must attach the grass collector before use.

- A. Make sure the grass collector is correctly assembled.
- B. Lift up the rear discharge flap (1).
- C. Make sure that the rear chute is clear and free of debris.
- D. Clip the grass collection bag onto the hooks (2).
- E. Place the rear discharge flap (1) on top of the collection bag (F) and check that the collection bag is fitted correctly.



To Remove

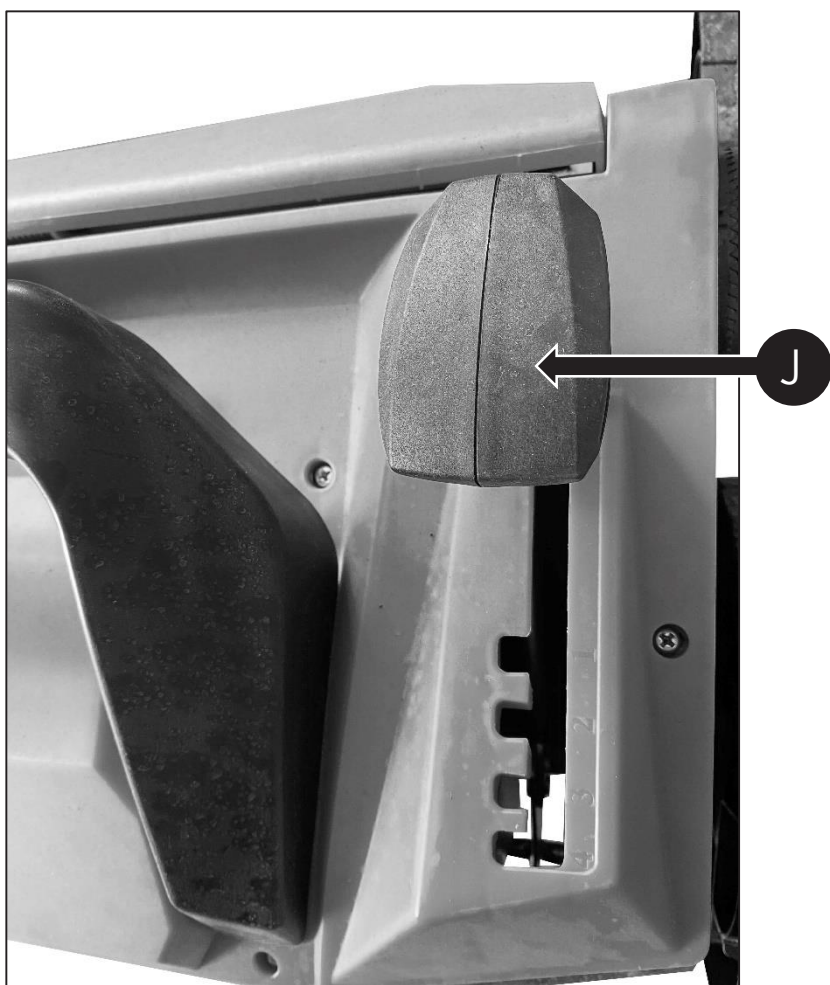
- A. Lift up the rear discharge flap (1).
- B. Lift the grass collector off the hooks (2).
- C. Empty the contents of the bag and replace before resuming work.

Assembly

Step 7: Working Depth Adjustment

The working depth is adjustable to 5 heights (+6mm, -3mm, -6mm, -9mm and -12mm). Be careful not to use the scarifier at too deep a setting. If there is excessive strain on the motor, it will lose speed and be less efficient.

A. Push the depth adjustment handle (J) forwards or backwards to adjust the height.



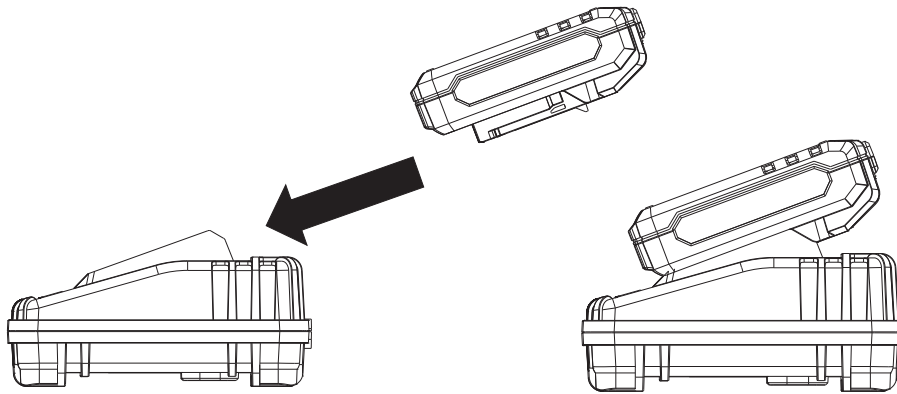
⚠ IMPORTANT!

Note: The spring cartridge must only be used in highest three positions.

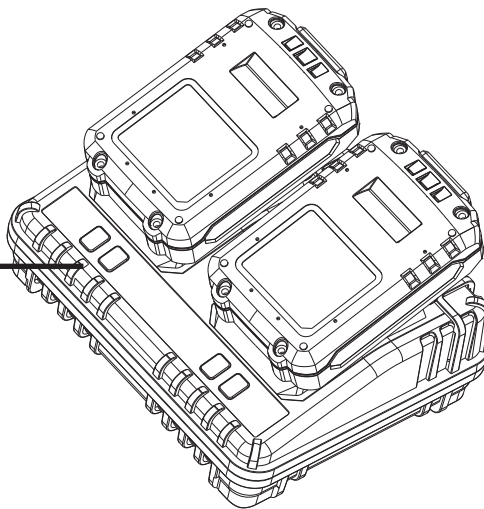
If you are to use it too deep, the efficiency will be reduced and spring damage may occur after prolonged use. The springs are made to remove the grass and moss from the surface. It is not necessary to go deeper into the soil.

The lowest two positions are used for the blade cartridge for heavier moss removal and scarifying.

Battery Charger Operation



Charge State Indicator



Important Safety Note

Ensure the power source switch is OFF before plugging in the Battery Charger.

Charging Steps

Insert the Battery

1. Slide the battery into the charger, aligning the terminals on both the battery and the charger.
2. The charger lights will illuminate to indicate that the battery is charging (refer to the Charge State Light indicators).

Note: To remove the battery, simply pull it away from the charger.

Power On the Charger

1. Plug in the Battery Charger.
2. Turn on the power source.

Charge State Light Indicators

- Solid Green:** Ready to charge
- Solid Green + Slow Flashing Red:** Charging
- Solid Green & Solid Red:** Fully charged
- Slow Flashing Green:** Temperature issue
- Fast Flashing Red:** Defective battery

Battery Charge Indicator

The Battery Charge Indicator uses LED lights to show the current charge level of the battery. Here's what each light means:

- 4 LEDs Illuminated:** Fully Charged
- 3 LEDs Illuminated:** 75% Charged
- 2 LEDs Illuminated:** 50% Charged
- 1 LED Illuminated:** Low State of Charge — Please recharge the battery.

Battery Charging & Installation

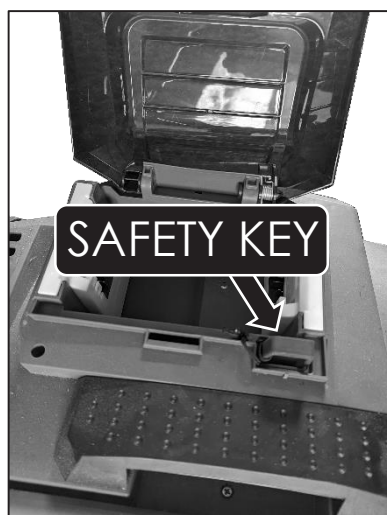
Important Safety Warning

WARNING: You MUST REMOVE THE SAFETY KEY before installing or removing batteries!

Battery Installation Steps

Remove the Safety Key

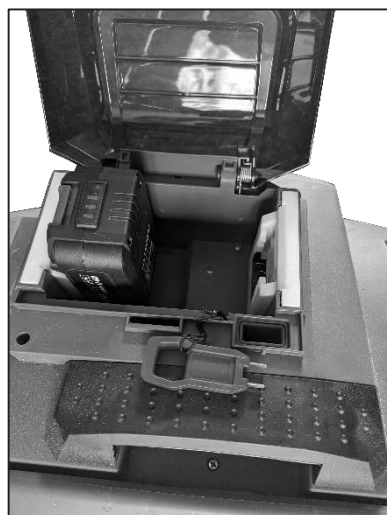
Ensure the safety key is removed before proceeding.



Install Batteries

Insert the batteries one at a time with the battery terminals facing the battery cradle.

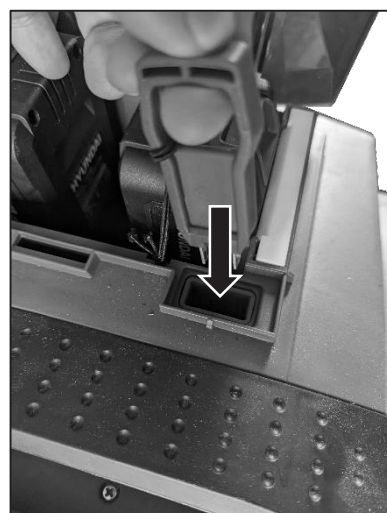
Note: Batteries can only be installed one way. You will hear an audible CLICK when each battery is installed correctly.



Reinstall the Safety Key

Once all batteries are installed, place the safety key back into its slot.

Follow these steps carefully to ensure safe operation.

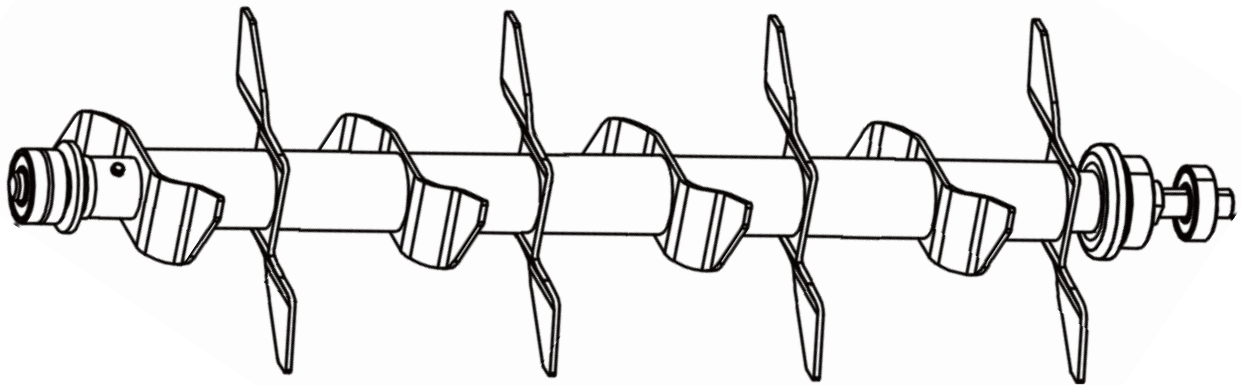


Scarifier and Rake

Using the Scarifier

Benefits of Scarifying: Scarifying removes hardened surfaces, grass felt, and flat-growing weeds, allowing the lawn to breathe and absorb nutrients, oxygen, and water. This process also helps prevent bacteria from establishing in the lawn during winter.

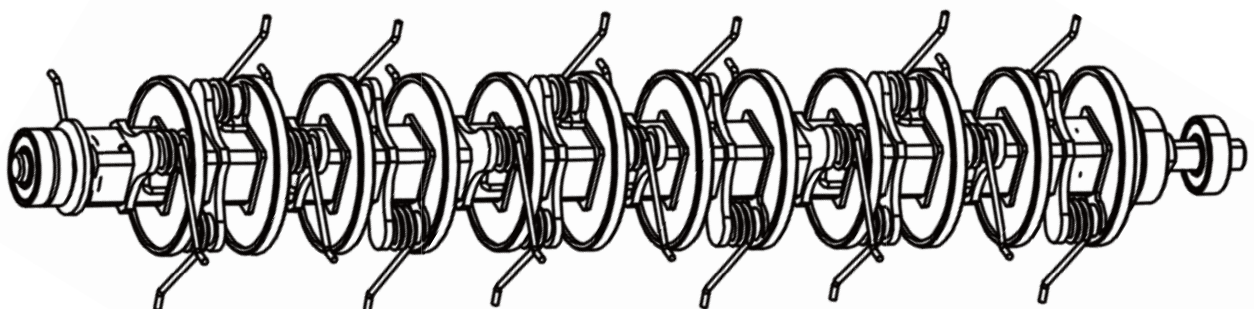
Preparation for Scarifying: Cut the grass to a height of about 40 mm before scarifying, and ensure the lawn is dry. The best time to scarify is during the growing season, from April to September. It's recommended to scarify at least once a year. For a lush, green lawn, apply fertilizer immediately after scarifying.



Using the Rake

Benefits of Raking: Raking removes dead matter, moss, and weeds that can disfigure the lawn. This buildup of dead grass creates a mat that prevents water from penetrating the ground.

Raking Tips: Do not rake grass longer than 50 mm, and ensure the lawn is dry when using the rake. It's best to rake at the beginning and end of each grass cutting season, and you can also do it after each mowing to clear away leftover clippings.



Operation

Starting Machine

Safety Checks:

- Inspect the cable for damage; do not use if damaged.
- Ensure no objects or branches are trapped in the machine.
- Keep the work area tidy and free of obstacles.
- Never operate the machine if it is damaged.

Starting Procedure

1. Position the scarifier on the lawn, ensuring it is not sitting on long grass and that the cable is clear of the cutting blade.
2. Connect the machine to the mains power supply.
3. Press and hold the safety button (B).
4. Pull the OPC lever (A) towards the handle.
5. Release the safety button (B).



Operation

Stopping the Machine

Safety Checks:

1. Stopping the Machine
2. Release the OPC Lever (A).
3. Unplug from the Mains Supply.

- **WARNING:** Always turn off the machine before setting it down.
- The cutting elements may continue to rotate briefly after the motor is switched off. Do not touch the underside of the machine until the cutters have completely stopped.



Replacing the Blade

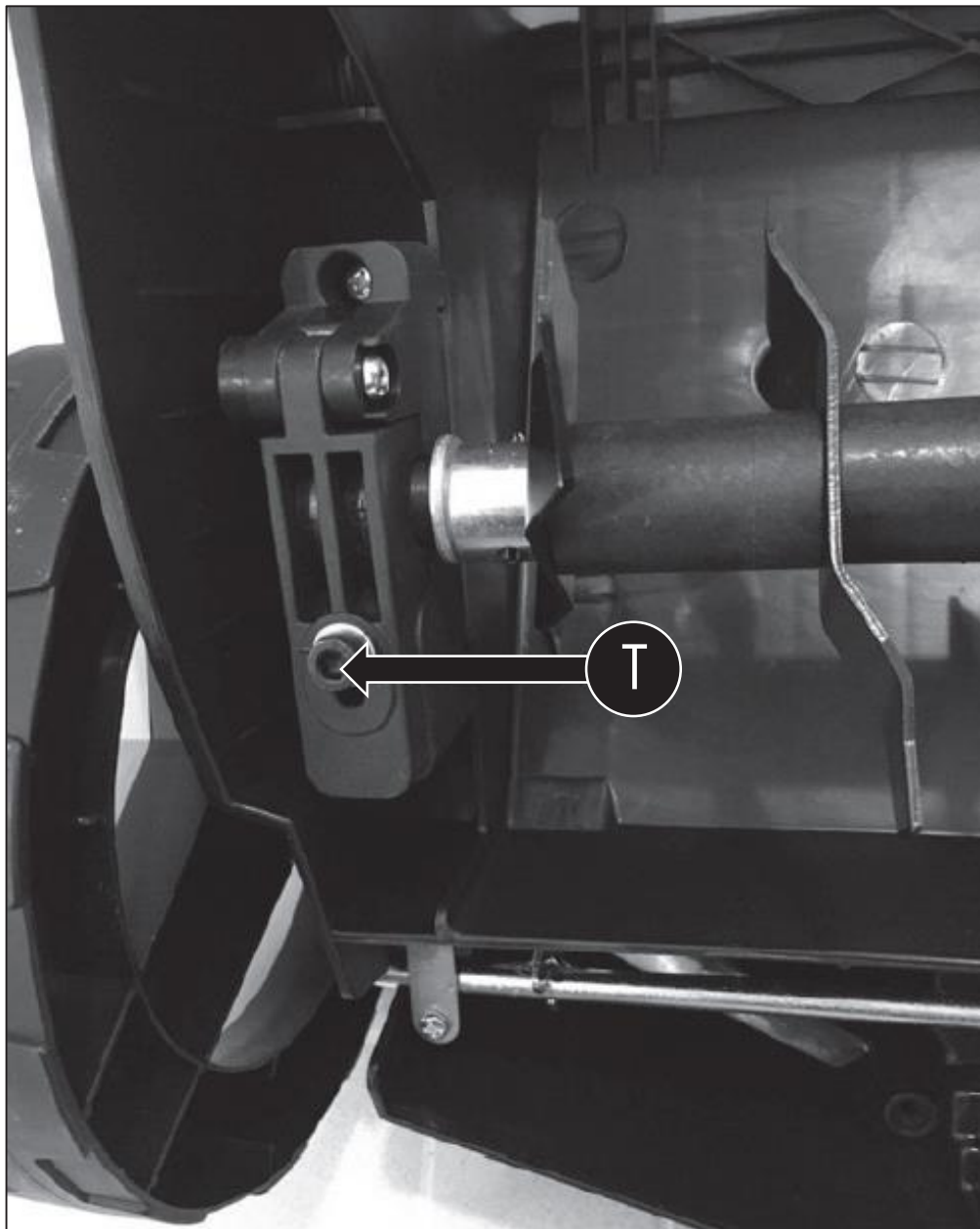
⚠ WARNING! Always wear protective gloves when working with the blade.

- Check the blade. The blade should always be sharp. At regular intervals, check the tightness of all nuts, bolts and screws.
- If the blade hits an obstacle, check for damage and if the machine vibrates badly,

Replacing the Blade

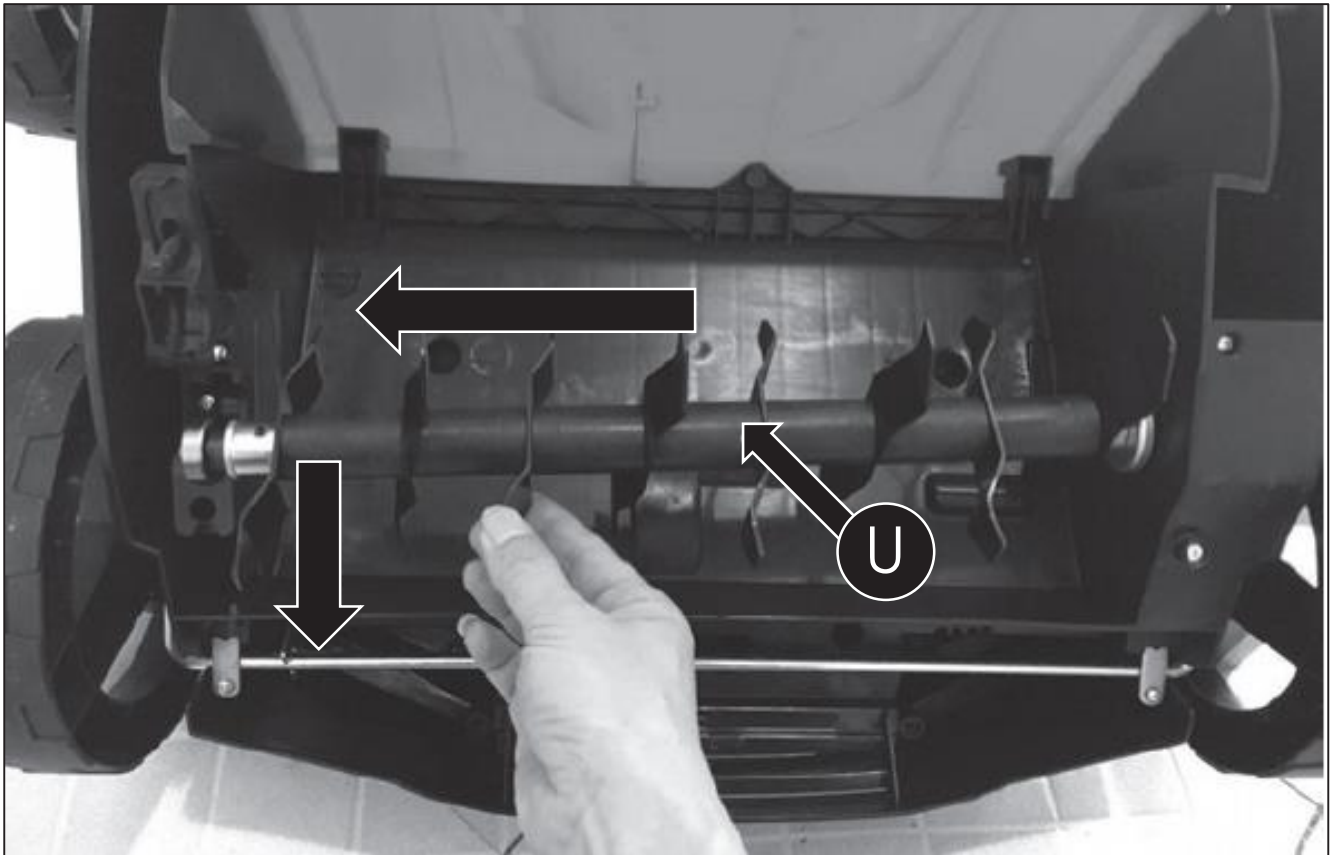
⚠ The cylinders may cause injuries. Prior to replacement, disconnect the machine from the power supply and wait for the blades to stop completely. You must always wear gloves to protect your hands.

1. Remove the Bolt: Unscrew bolt (T) located on the underside of the chassis.



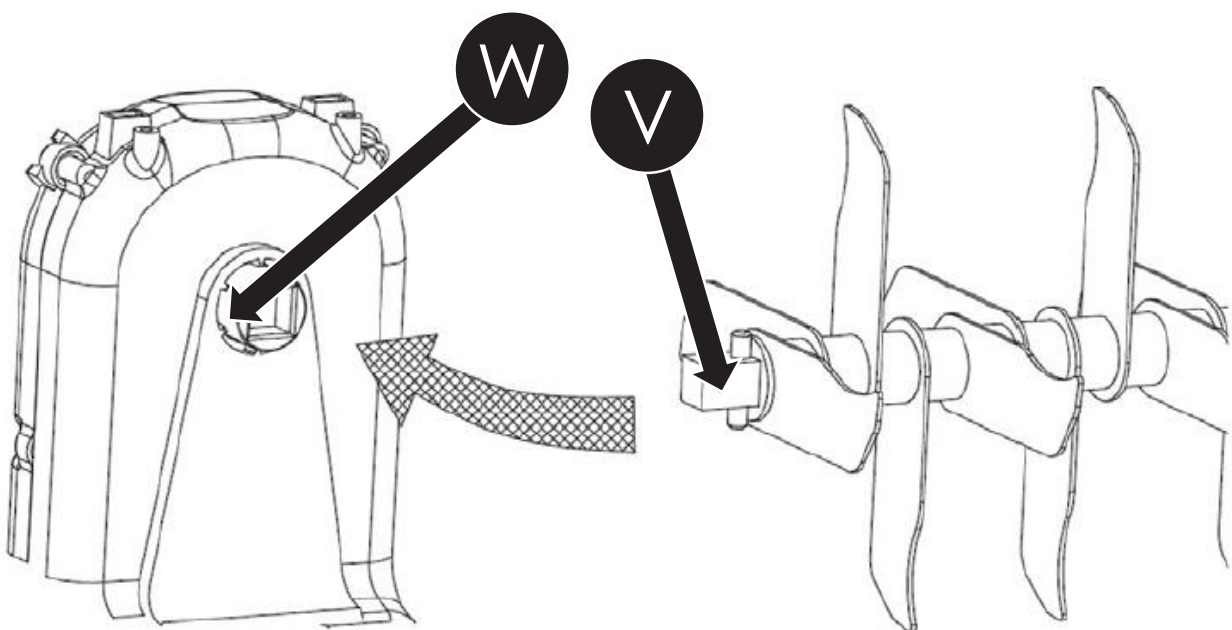
Replacing the Blade

2. Lift the Cylinder: At an angle, lift the cylinder (U) and pull it out.



3. Install the New Cylinder: Slide the new cylinder onto the drive shaft, ensuring that the pin (V) fits into the corresponding part of the drive shaft (W).

4. Secure the Cylinder: Tighten screw (T) to secure the cylinder in place.



Troubleshooting

⚠ NOTE : All corrective actions should be carried out by suitably qualified person/s.

PROBLEM	POSSIBLE CAUSE	SOLUTION
Tines will not rotate	Tines are clogged by dirt and debris	Remove the battery packs and start key, then remove any obstruction from the tines
	Vines, grass or other debris wrapped around tine shaft	Remove the battery packs and start key, then clean the tine shaft
Motor fails to start when bail is pulled	Battery is low in charge	Charge the battery
	Batteries not in correct orientation (minimum of one pair)	Confirm battery orientation
	Start key arrow not pointing to a charged pair of battery packs	Reverse the position of the start key
	Start button is not depressed	Press start button and pull the bail
The motor is on but the tines do not turn	Start button is not depressed or transport mode is activated	Press the start button and pull the bail with the speed control lever 3/4 forward
The tines stop rotating	The unit is overloaded	Release the bail and raise the tines. Restart the tiller and tines, then slowly lower the tines back to their original depth

Personal Protective Equipment

Appropriate Personal Protective Equipment (PPE), MUST be worn at all times when operating or repairing the machine. No protective equipment can ensure 100% protection.

When selecting PPE, make sure it's CE marked and it suits the user in terms of size, fit, etc. If more than one item of PPE is worn at the same time, make sure they can be used together, e.g. wearing safety glasses may disturb the seal of a respirator, causing air leaks.



Hand Protection Must Be Worn

Protective electrically non-conductive gloves are highly recommended when working.



Foot Protection Must Be Worn

Non-skid heavy duty footwear are highly recommended when working.



Hearing Protection Must Be Worn

Suitable safety hearing protection is recommended.



Eye Protection Must Be Worn

Always wear safety glasses/goggles and/or face shields. Everyday eyeglasses have only impact resistant lenses; they are not safety glasses/goggles.



Protective Clothing Must Be Worn

Do not wear loose clothing, gloves, scarfs, neckties or jewellery (rings, wrist watches), which can be caught in moving parts.



Head Protection Must Be Worn

Wear a safety helmet with a safety visor.














Face Shield Must Be Worn

Wear a face shield to protect your face.

Symbols on Machine

We have provided safety messages in this manual and on the machine. This information alerts you to potential hazards that could hurt you or others. Please read these messages carefully. However, we may not have listed all of the possible hazards, you must also use your own judgement.

Symbol	Description	Symbol	Description
	Safety alert – Indicates a precaution, a warning or a danger.		Wear eye and hearing protection. For protection against injury, wear ear defenders and safety goggles.
	Do not expose to rain.		Keep bystanders at a safe distance away from the work area.
	Read operator's manual.		Sharp blades can cut limbs
	This product complies with the European directives and an evaluation method of conformity for these directives was done.		Switch off and unplug the device before cleaning or performing maintenance on it.
	Danger! Rotating blades – keep hands and feet away from moving parts.		This product should not be disposed of in domestic waste. Please contact your local recycling centre for disposal service.
	Keep bystanders at a safe distance away from the work area.		

Safety

Key Points

- A. Read and understand all instructions before use
- B. Know how to stop the machine quickly
- C. Only allow trained adults to operate the machine
- D. Save manual for future reference

Operation Safety

Maintain 15m safety zone from others
Stay alert and focused while operating
Never operate when tired or under influence
Don't exceed machine's limits
Stop if anyone enters work area

Required Safety Gear

Anti-slip work boots
Long trousers
Ear protection
Safety goggles with side shields
No loose clothing/jewelry
Tie back long hair

Critical Safety Rules

Keep hands/feet away from moving parts
No children or untrained operators
Professional maintenance required except as listed
First-time users need training from experienced operator
Operator is responsible for accidents/injuries

Before Each Use

Check all nuts and bolts are tight
Inspect general condition
Verify all guards are in place

Remove any tools/keys from machine
Check for worn/damaged parts

Ensure safety devices work

Verify warning labels are visible
Operation Rules
Allow hot parts to cool before touching
Maintain proper footing and balance
Don't overreach
Watch for abnormal vibration
Ensure power switch works properly
Only use manufacturer-approved attachments

Operator Responsibilities

Assess work area risks
Take extra care on slopes/unstable ground
Prevent accidental starts
Don't disable safety features
Keep machine well-maintained
Stop use if repairs needed
Report/address any issues immediately

Key Safety Points

Keep body away from danger zones
Operator is responsible for accidents
Maintain machine in good condition
Replace damaged parts promptly
Stop if abnormal vibration occurs

Safety

Acceptable Working Conditions

- Daylight or good artificial light only
- Dry ground
- Flat, level surfaces
- Outdoor use only
- Clear visibility

Never Operate During

- Night time
- Heavy fog
- Rain or thunderstorms
- Strong winds
- Wet ground conditions
- Poor visibility

Work Area Preparation

Inspect entire area thoroughly

Remove hazards:

- Branches
- Stones
- Wire
- Toys
- Any loose objects

Locate and mark fixed objects:

- Sprinkler systems
- Poles
- Water valves
- Washing line bases
- Hidden cables

Prohibited Conditions

Near unstable ground

Close to ravines/ditches

In explosive atmospheres

Near flammable materials

On wet/slippery surfaces

When visibility is limited

Remember

Keep 15m safety zone from others

Never run machine over foreign objects

Always go around fixed objects

Clean area before starting work

When to Switch Off

Before any inspections

During transport

Leaving machine unattended

Abnormal vibration occurs

Hitting foreign object

Any accident/incident

Before adjustments

Emergency Procedures

Turn off machine immediately

Move machine from area

Provide first aid if needed

Contact medical help if required

Clear any dangerous debris

Inspect for damage

Repair before restarting

Never

Operate in confined spaces

Make adjustments while running

Use without guards

Keep hands/feet near cutting parts

Continue after striking objects without inspection

Use damaged equipment

Safety

Battery Safety Protocol

Battery Hazards

- Damaged batteries may leak electrolyte (acid)
- Can cause severe burns
- Produces flammable gases when charging
- Risk of explosion from short circuits
- If Electrolyte Contact Occurs:

Immediate Actions:

Remove contaminated clothing
Saturate clothing in water if stuck
Use running water on affected areas
Avoid spreading to other body parts

Medical Response:

Seek immediate medical help
Specify battery type:
Lead/acid = dilute sulphuric acid
Nickel/cadmium = potassium hydroxide

Eye Contact:

- Flush immediately with lots of water
- Keep flushing until medical help arrives
- Avoid spreading to other areas

Safety Precautions

- Charge in well-ventilated areas
- Use insulated tools only
- Prevent terminal short circuits
- Exercise care when connecting/disconnecting
- Avoid sparks

Electrical Safety Protocol

CRITICAL WARNING

ELECTRICITY CAN KILL - NEVER WORK ON LIVE EQUIPMENT

Required Pre-Use Checks

- Isolate all electrical supplies
- Inspect cables, plugs, connectors for:
 - Bare wires
 - Chaffing
 - Cuts
 - Loose connections
 - Any damage

Safety Rules

- Keep all equipment dry
- Never use with wet hands/clothing
- Route cables to prevent trips
- Ensure proper circuit fusing
- Verify correct voltage/frequency
- Maintain proper grounding
- Avoid earthed surface contact

When Damage Found

Remove from service immediately
Mark as damaged
Have repairs done by qualified electrician
Never attempt DIY repairs

Double-Insulated Equipment

- This machine has two insulation systems
- No additional grounding needed
- Requires specialized service
- Use identical replacement parts
- Service by qualified personnel only

Remember

- Never contact water during operation
- Keep power components dry
- Use rubber boots for protection
- Never open switch box yourself
- Contact qualified electrician for repairs

Safety

Vibration Risks

- Can cause white finger disease (Raynaud's)
- May lead to carpal tunnel syndrome
- Can damage nerves and circulation

Prevention:

- Wear warm gloves
- Take regular breaks
- Monitor hand/finger condition
- Seek medical help if symptoms appear

Noise Hazards

- Can cause hearing damage
- Reduces ability to hear warnings
- Requires scheduled work periods
- Use in approved time windows only

Protection Required:

- Wear ear defenders/plugs
- Regular hearing checks
- Be extra alert when wearing protection

Residual Risks

- Lung damage without dust mask
- Hearing damage without protection
- Vibration-related health issues
- Electromagnetic field interference with medical implants

Proper Use Guidelines

- For grass/moss removal only
- Single operator use
- Domestic/DIY use only
- Pedestrian-controlled operation

Never Use For:

- Non-grass surfaces

- Carrying passengers
- Towing loads
- Debris collection
- Multiple operators

Important

- Consult doctor if using medical implants
- Follow all safety protocols
- Maintain machine properly
- Use appropriate protective gear

Technical Data

Specification

Model	
Motor Type	2 x 20V Brushless
Working Width	38cm
Working Depth	+6mm to -12mm
Grass Collector Capacity	45L
Protection Class	IPX4
Cylinder Operating Speed	3000rpm
Sound Pressure Level	L _{pa} = 78.1dB(A) K=3dB(A)
Guaranteed Sound Power Level	L _{wa} = 93dB(A)
Vibrations	2.222m/s ² K= 1.5m/s ²
Net Weight	10.6kg

Information

Thank You

Thank you for purchasing your product/appliance.

Should you require assistance with your purchase, please contact us at support@domu.co.uk

VonHaus is a registered trademark of DOMU Brands Ltd. Made in China for DOMU Brands.

VonHaus is a registered trademark of DOMU Brands Ltd.

Made in China for DOMU Brands.

Authorised Representative

Authorised Representative Service
77 Camden Street Lower
Dublin, D02 XE80, Ireland

Legal

DISPOSAL INFORMATION

Please recycle where facilities exist. Check with your local authority for recycling advice.

CUSTOMER SERVICE

If you are having difficulty using this product and require support, please contact support@vonhaus.com

WARRANTY

To register your product and find out if you qualify for a free extended warranty please go to www.vonhaus.com/warranty.

Please retain a proof of purchase receipt or statement as proof of the purchase date.

The warranty only applies if the product is used solely in the manner indicated in the warnings page of this manual, and all other instructions have been followed accurately.

Any abuse of the product or the manner in which it is used will invalidate the warranty.

RETURNS

Returned goods will not be accepted unless re-packaged in its original packaging and accompanied by a relevant and completed returns form. This does not affect your statutory rights.

No rights are given under this warranty to a person acquiring the appliance second-hand or for commercial or communal use.

COPYRIGHT

All material in this instruction manual are copyrighted by DOMU Brands.

Any unauthorised use may violate worldwide copyright, trademark, and other laws.



Product No. 3519009