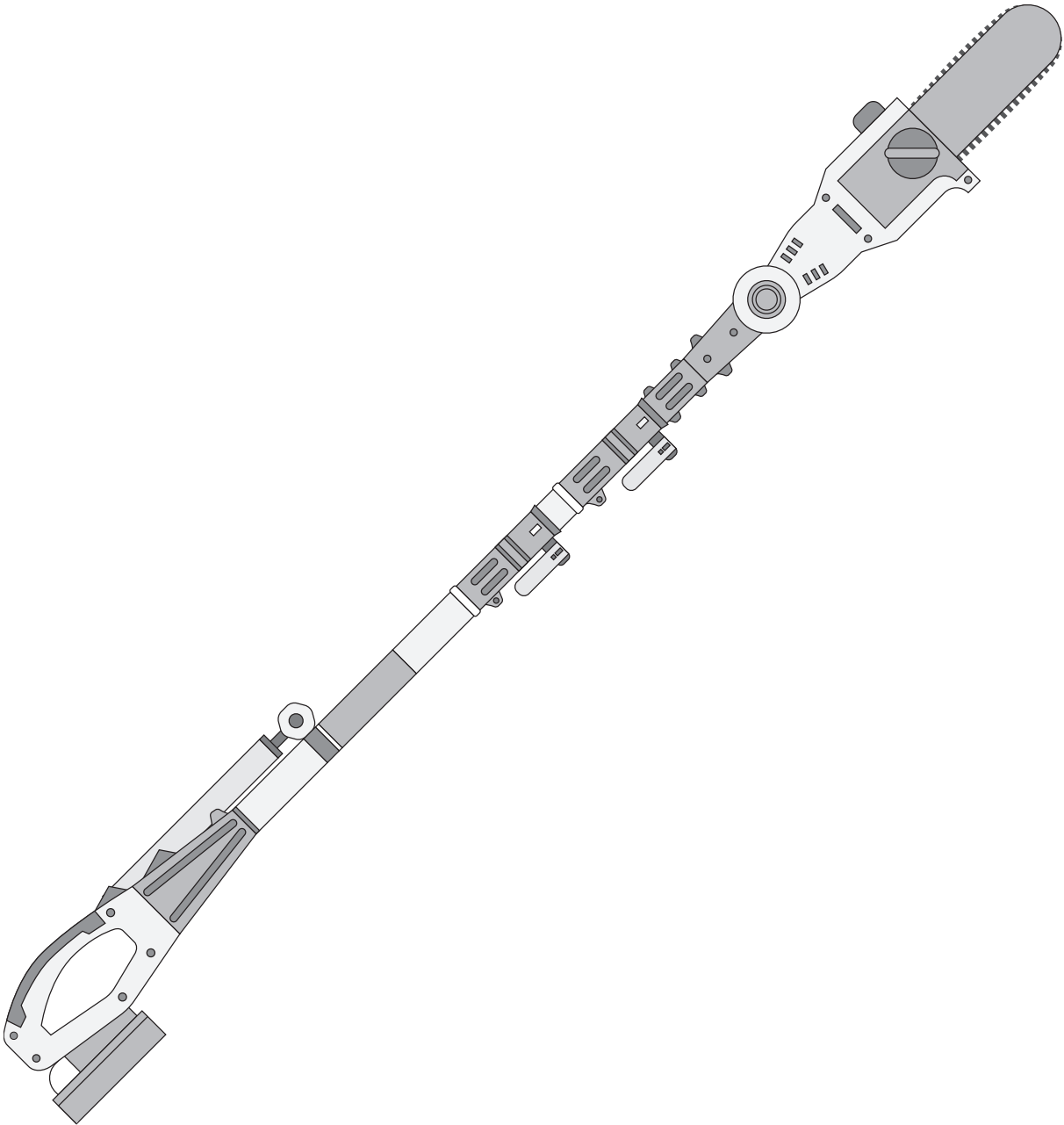


vonhaus

POLE CHAINSAW



Setup Instructions

Product No. 3519007

Need further help?
support@vonhaus.com

Besoin d'aide supplémentaire ?
support@vonhaus.com

Benötigen Sie weitere Hilfe?
support@vonhaus.com

Necesita más ayuda?
support@vonhaus.com

Hai bisogno di ulteriore assistenza?
support@vonhaus.com

See our full range at
www.vonhaus.com

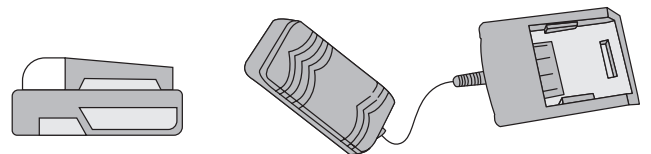
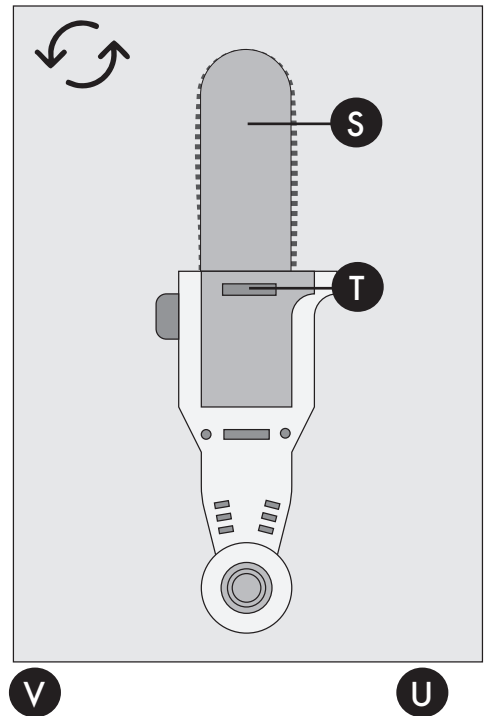
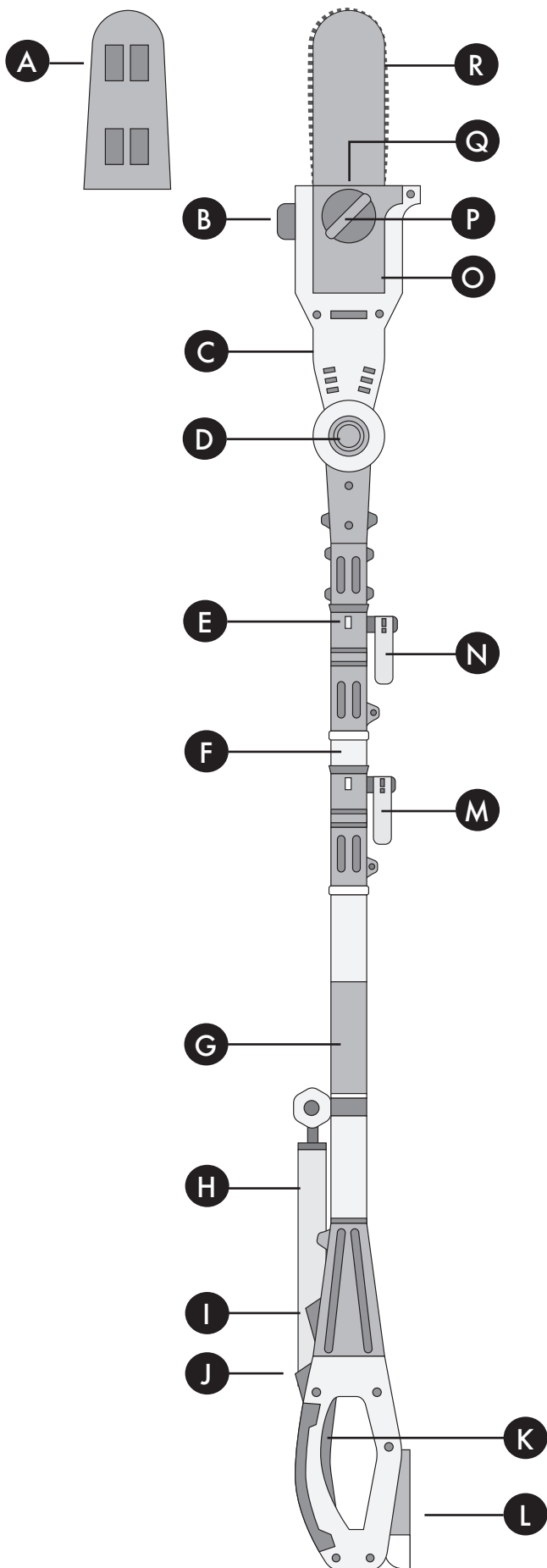
Découvrez notre gamme complète sur
www.vonhaus.com

**Entdecken Sie unser gesamtes
Sortiment auf**
www.vonhaus.com

Descubra toda nuestra gama en
www.vonhaus.com

Scopri tutta la nostra gamma su
www.vonhaus.com

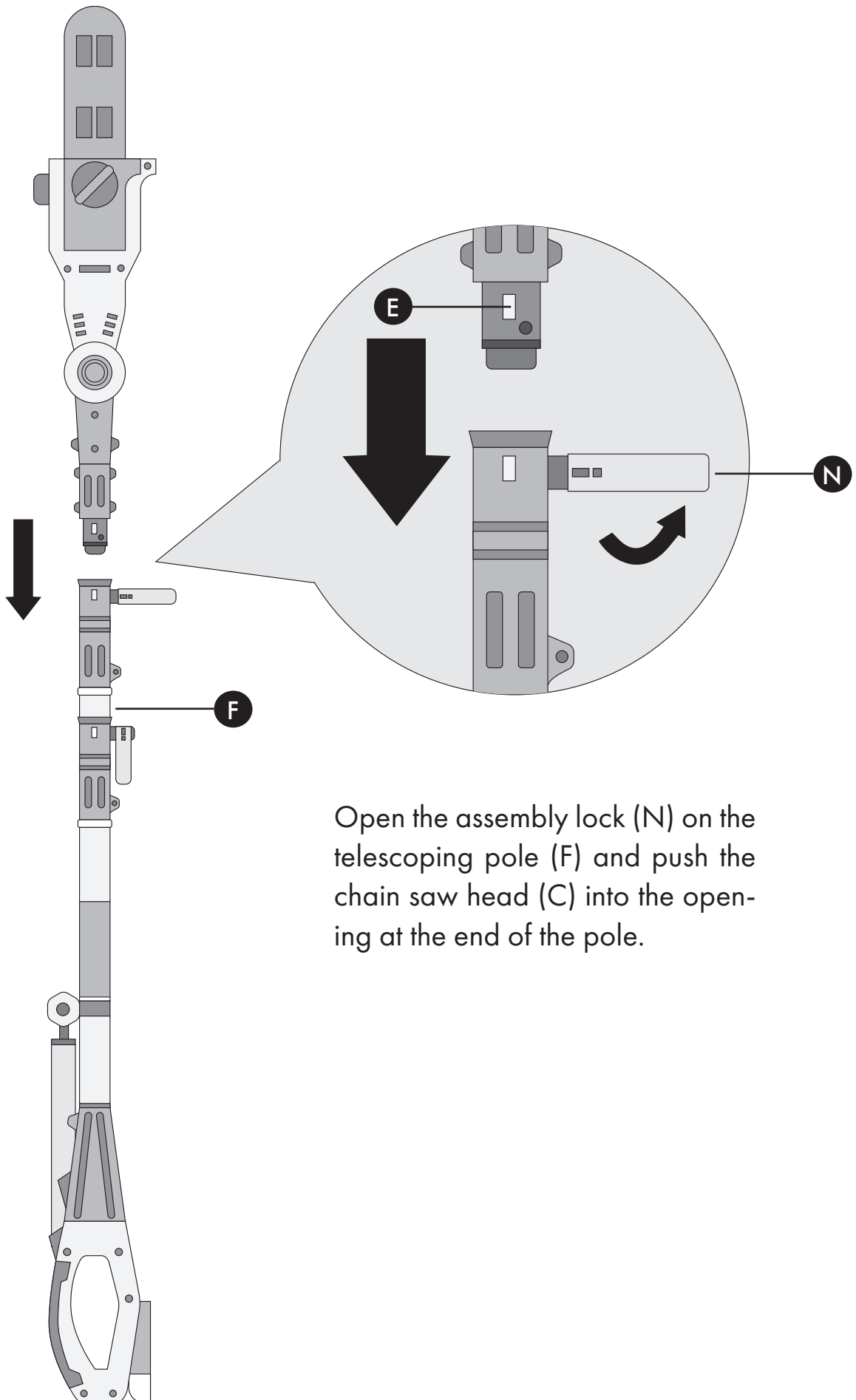
Parts & Components



- A. Cutting Bar Sheath
- B. Oil Tank Cap
- C. Chain Saw Head
- D. Multi-Angle Head Adjustment Dial
- E. Lock Tab
- F. Telescoping Pole
- G. Soft Grip
- H. Shoulder Strap
- I. Handle Rotating Switch
- J. Safety Lock Switch
- K. Trigger Switch
- L. Battery Socket
- M. Telescoping Lock
- N. Assembly Lock
- O. Chain/Sprocket End Cover
- P. Chain/Sprocket End Cover Knob
- Q. Chain Tensioner Ring
- R. Chain E50-SL-33 (8")
- S. Guide Bar AM08-33 (8")
- T. Oil Level Indicator Window
- U. Charger
- V. Battery

Assembly

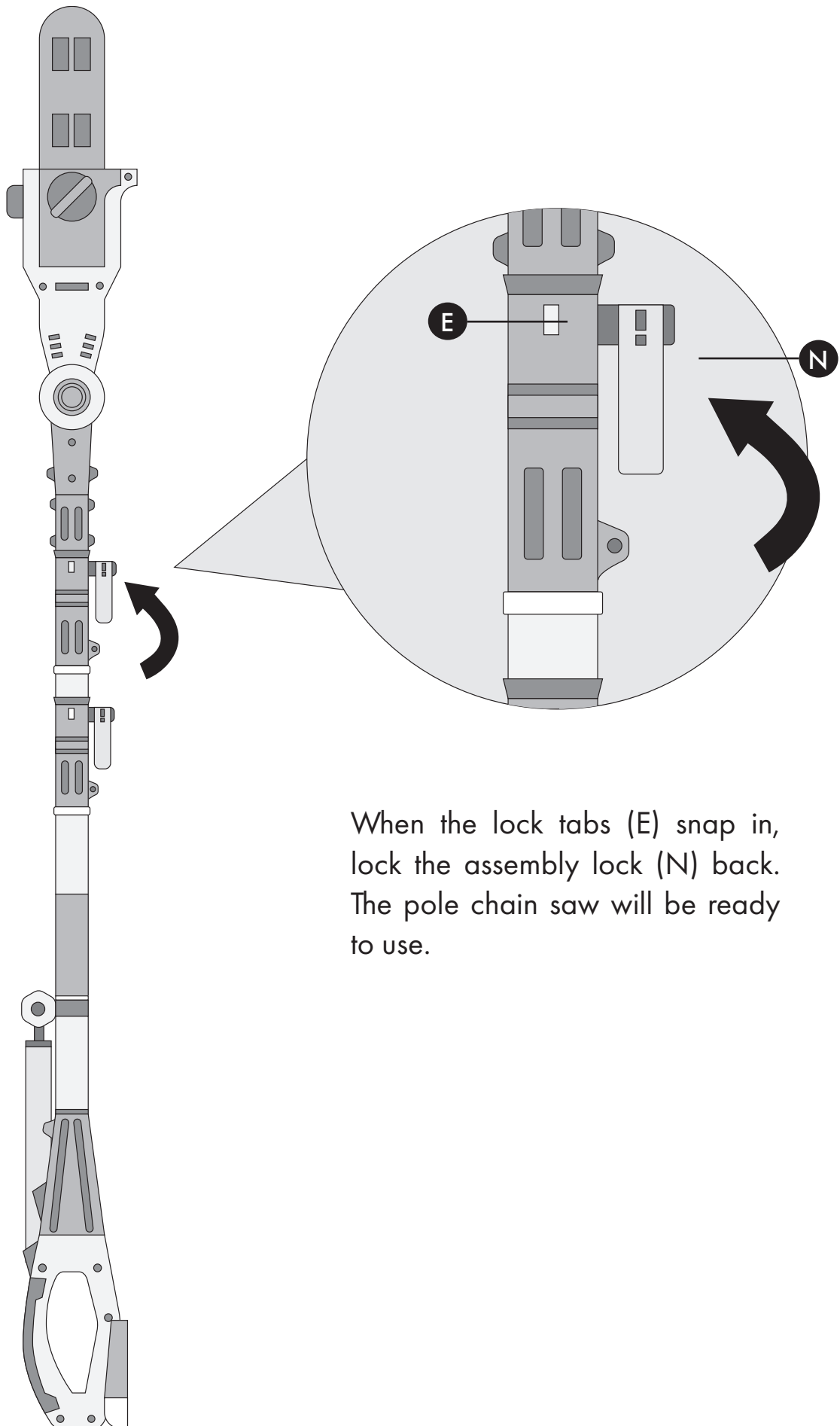
1



Open the assembly lock (N) on the telescoping pole (F) and push the chain saw head (C) into the opening at the end of the pole.

Assembly

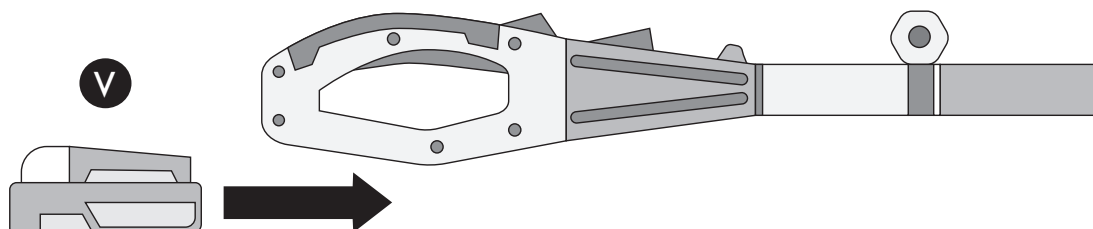
2



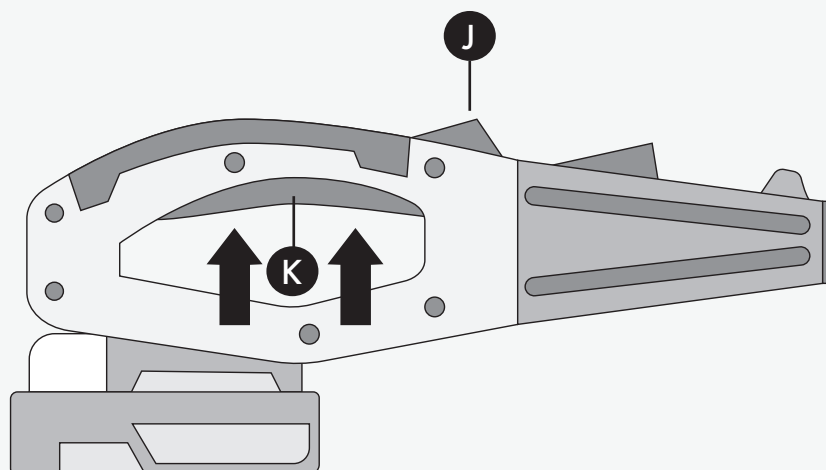
When the lock tabs (E) snap in, lock the assembly lock (N) back. The pole chain saw will be ready to use.

Operation

- 1** Slide the battery (V) into the battery compartment until it clicks to lock into position.



- 2** To turn the pole chain saw ON, push and hold the safety lock switch (J) located on the handle forward with your thumb, then squeeze the trigger switch (K) with your fingers. Once the tool is running, you can release the safety lock switch.

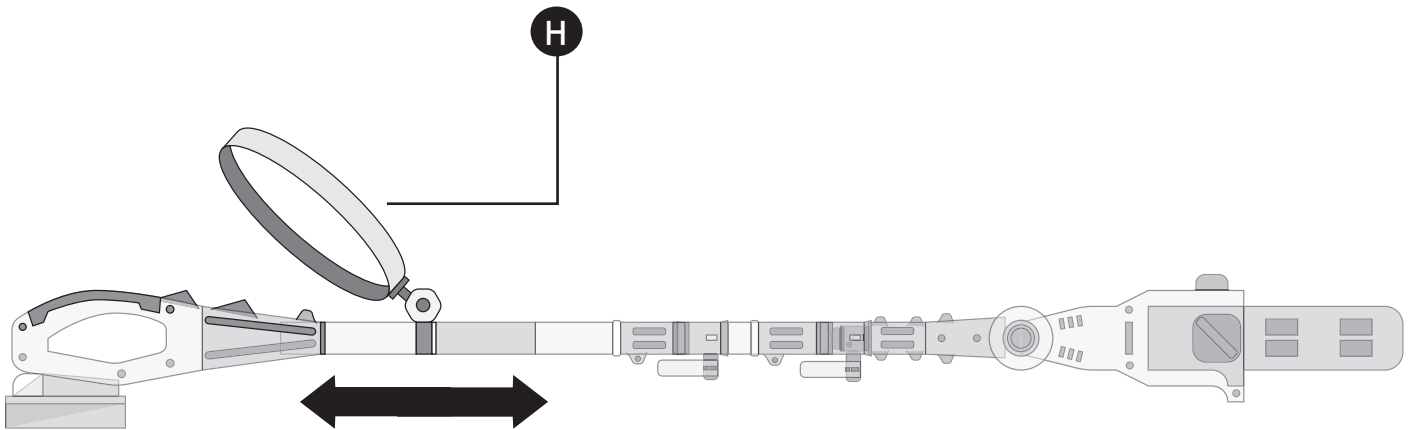


- 3** To turn the tool OFF, release the trigger switch (K)

Adjusting the Shoulder Strap

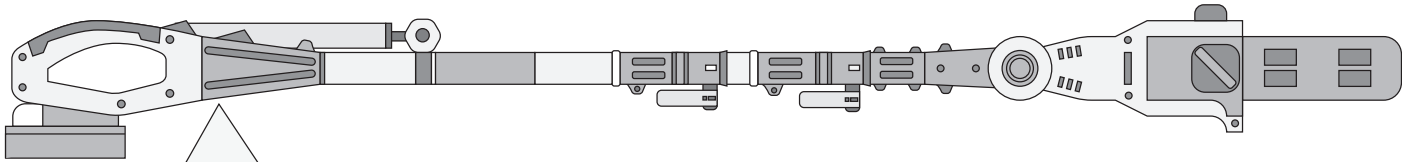
The shoulder strap (H) connection point is adjustable along the pole's length. This allows users to optimise the weight distribution of the tool.

- For operation at minimum height, position the clip closer to the handle.
- When using the pole at full extension, move the clip higher up the pole for improved balance and comfort.

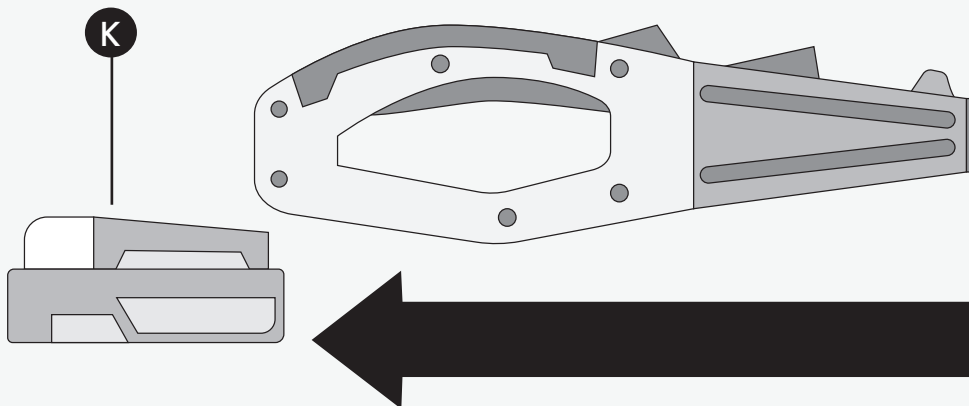


Adjusting the Telescoping Pole

This machine is equipped with a telescoping pole (F), providing up to 14 ft (4.3 m) of overhead reach. To adjust the telescoping pole, follow these instructions:

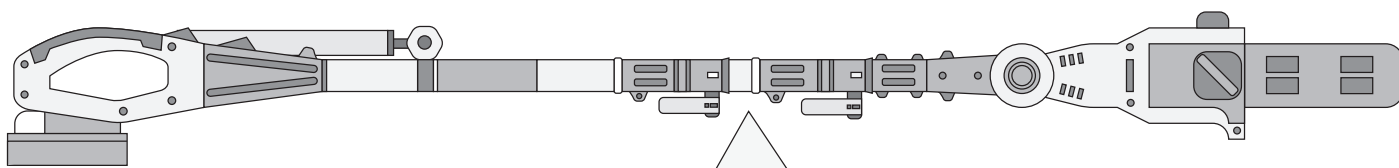


1

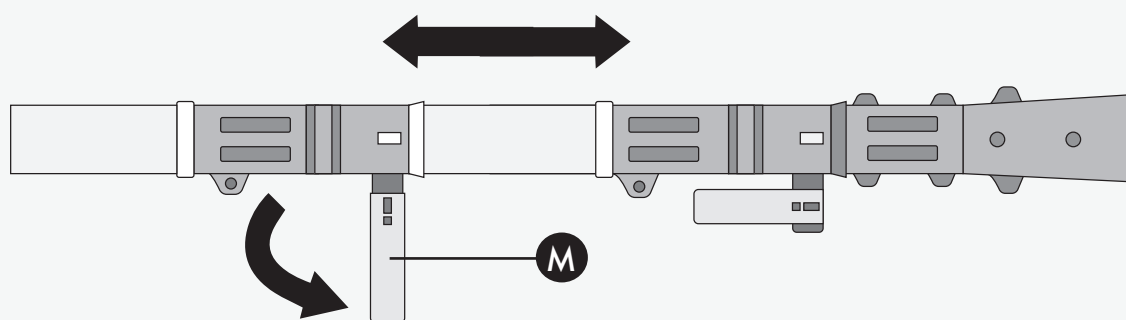


Disconnect the saw from the power supply by removing the battery (K) from the compartment.

Adjusting the Telescoping Pole



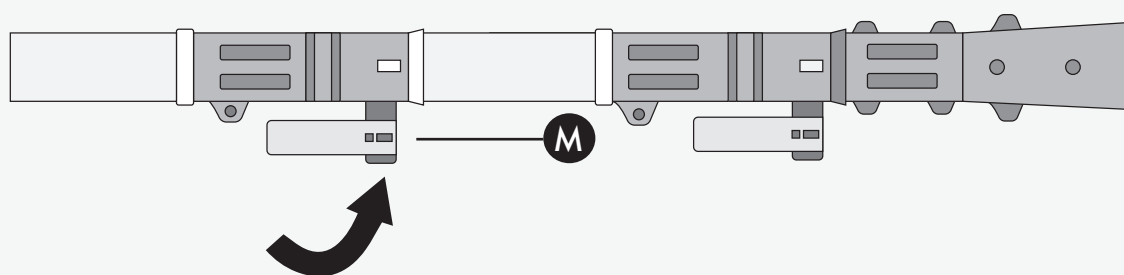
2



Unclip the telescoping lock (M) to release the pole. Extend the pole to the desired length.

Note: Push the poles toward each other to shorten, or pull them away to lengthen.

3



Lock the pole in position by closing the telescoping lock (M), ensuring the pole is secured.



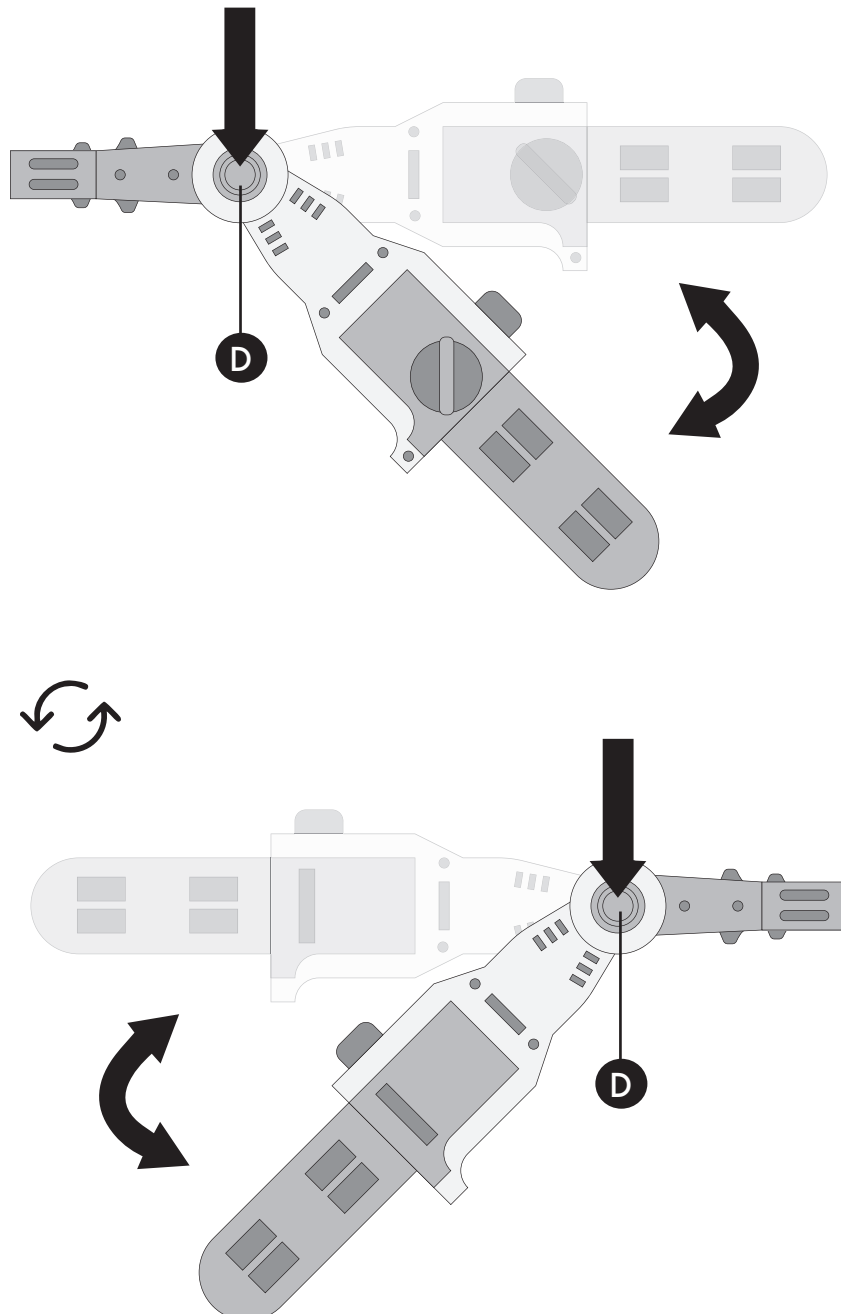
WARNING: Failure to lock the telescoping lock properly could result in personal injury.

Adjusting the Multi-Angle Head

The pole chain saw head can rotate to cutting angles of 0°, 15°, and 30°.

1. While pressing the rotating buttons (D) on both sides, rotate the chain saw head to the desired angle
2. Release the buttons (D) once the head is set at the desired angle.

WARNING: Ensure the chain saw head is securely locked to avoid injury or damage. Never use the saw with the head unlocked or in an incorrect position.



Proper Cutting Stance

Stance

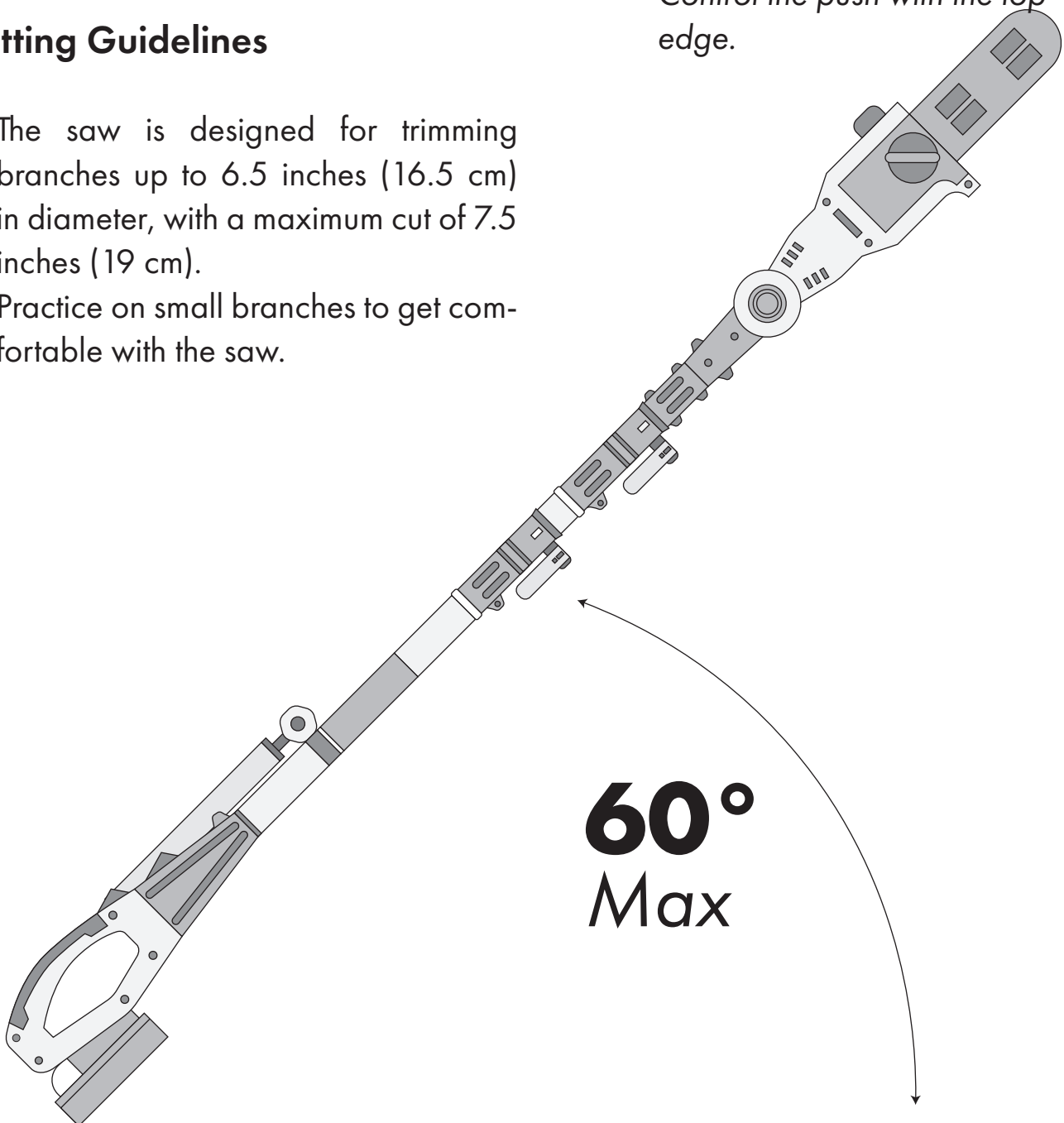
- Stand with both feet firmly on the ground.
- Keep your body to the left of the chain line.
- Position the saw at an angle of 60° or less, depending on the situation. Greater angles make cutting more difficult.

Operation Tips

- Let the chain reach full speed before cutting.
- Apply light downward pressure; let the chain do the work.
- Be aware of the push and pull forces:
 - *Control the pull with the bottom edge of the bar.*
 - *Control the push with the top edge.*

Cutting Guidelines

- The saw is designed for trimming branches up to 6.5 inches (16.5 cm) in diameter, with a maximum cut of 7.5 inches (19 cm).
- Practice on small branches to get comfortable with the saw.



Installing/Replacing Guide Bar + Cutting Chain

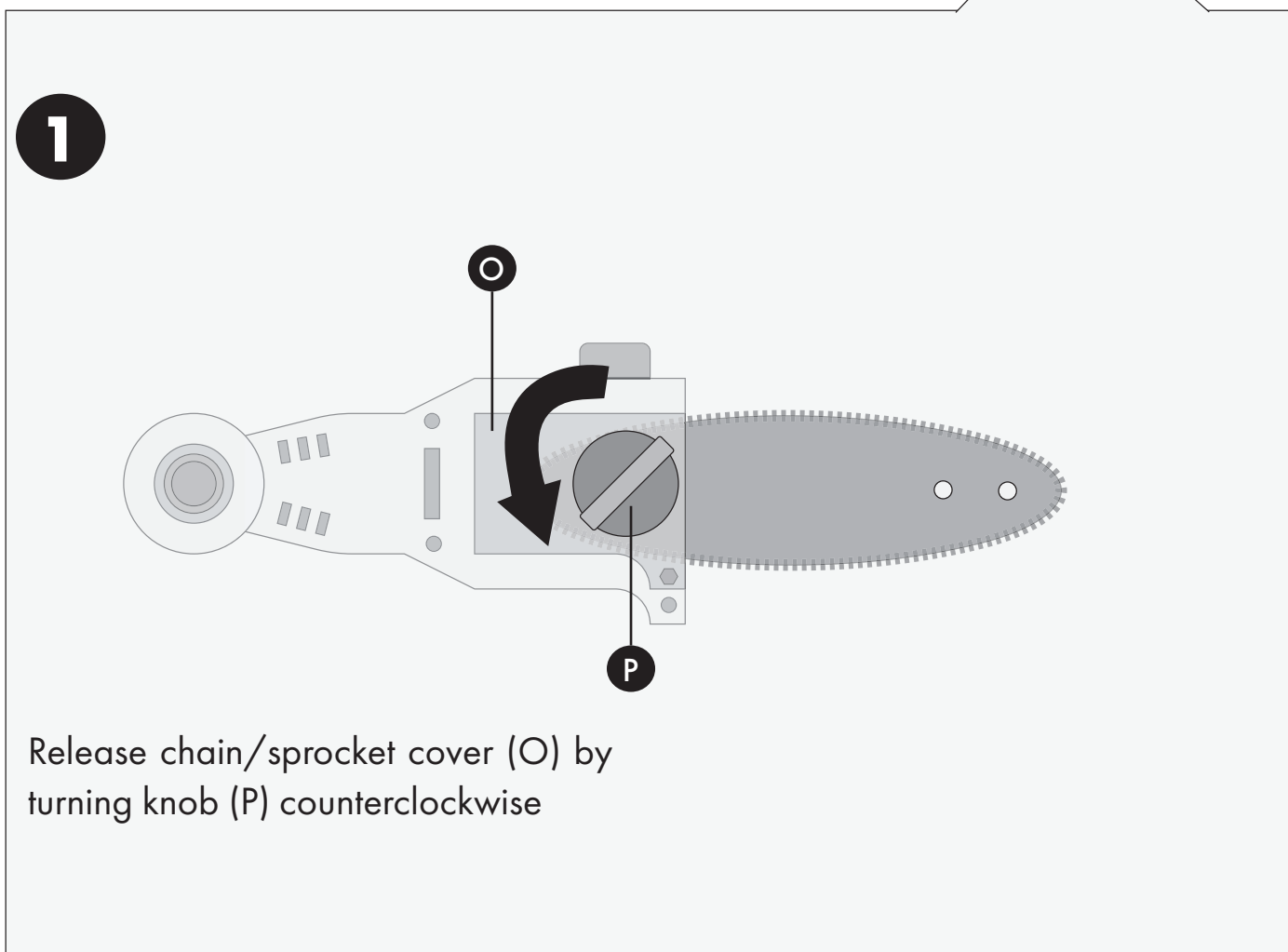
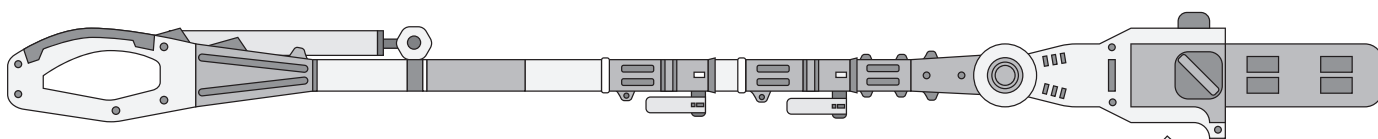
Warning!

Always install guide bar, chain, and chain/sprocket cover before starting motor to prevent serious injury from clutch failure.

Required Tools

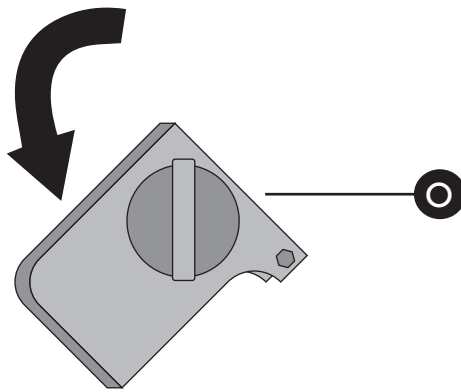
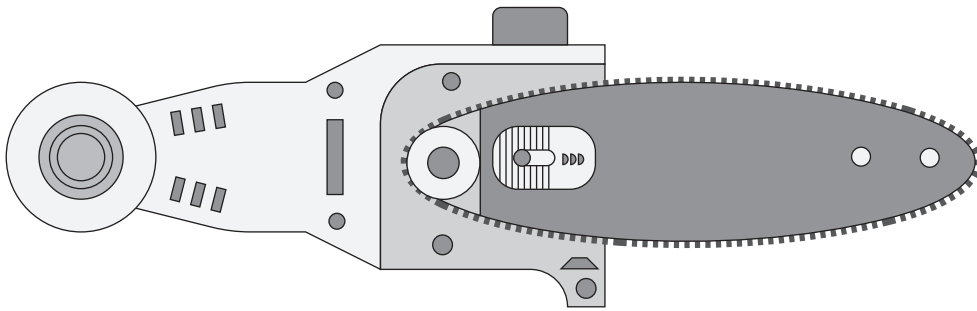
- Hex key wrench (included)
- Heavy-duty work gloves

Disconnect battery before installation



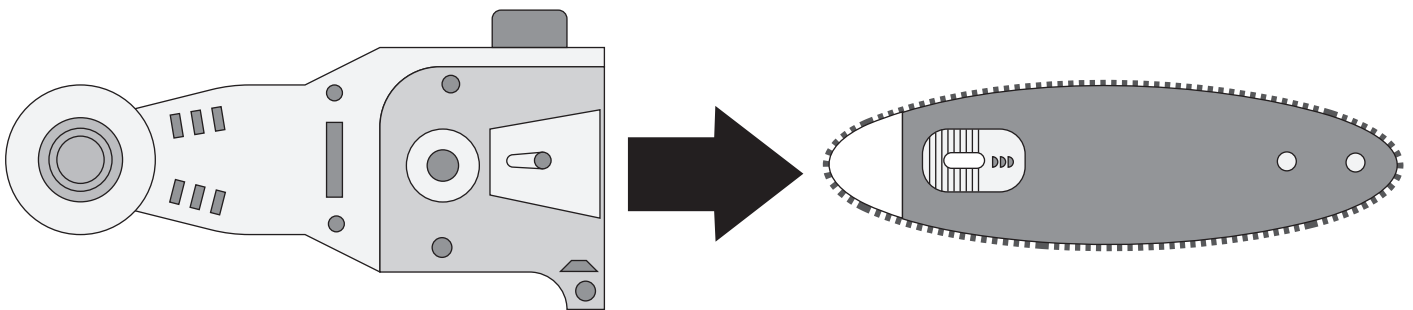
Installing/Replacing Guide Bar + Cutting Chain

2



3

Remove existing
bar and chain

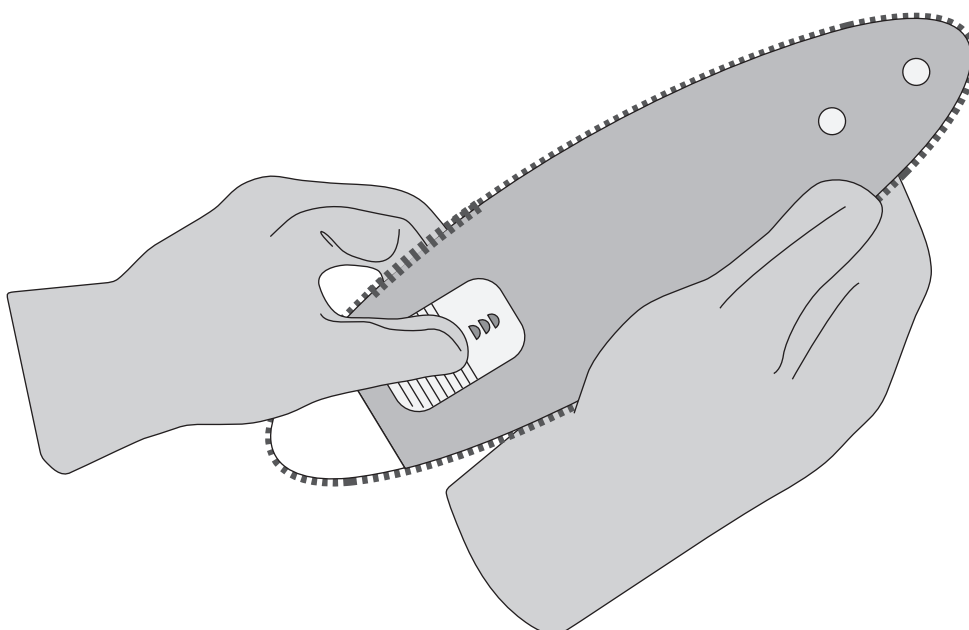
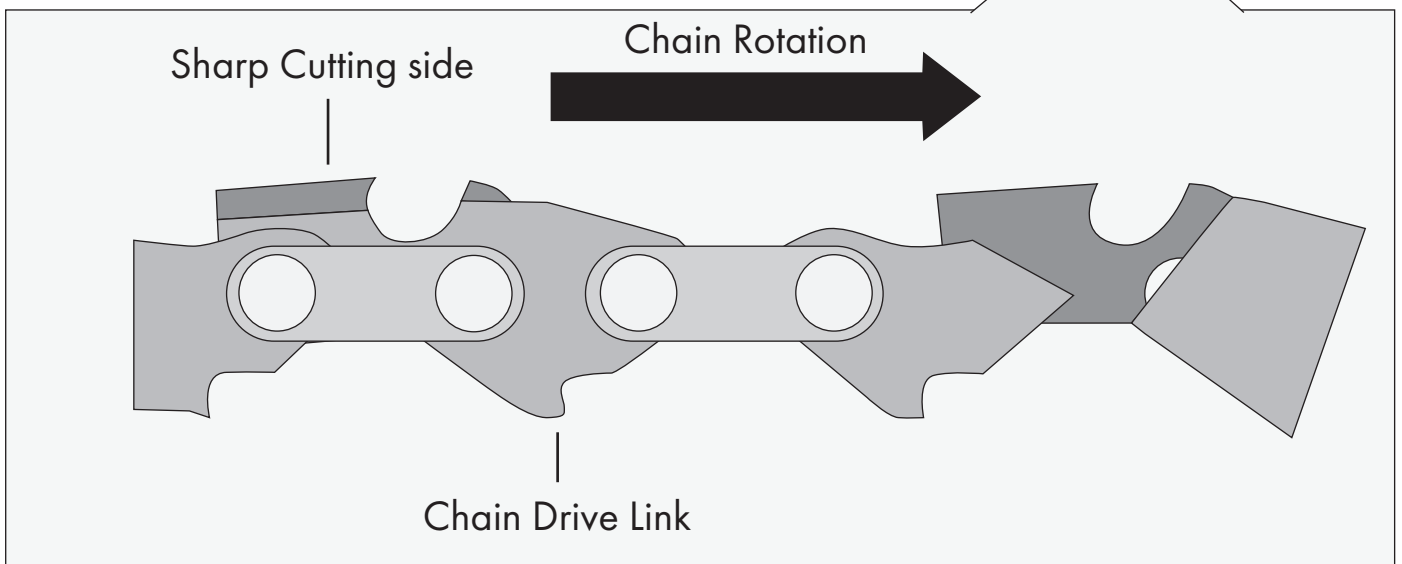
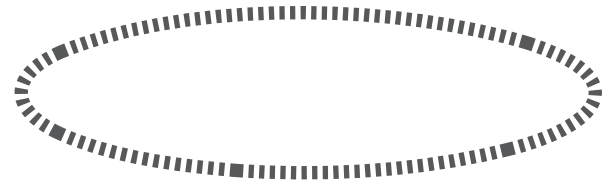


Installing/Replacing Guide Bar + Cutting Chain

4

Place new chain around bar, ensuring:

- Sharp edges face direction of rotation
- Drive links fit into bar groove
- Chain forms loop at bar's back

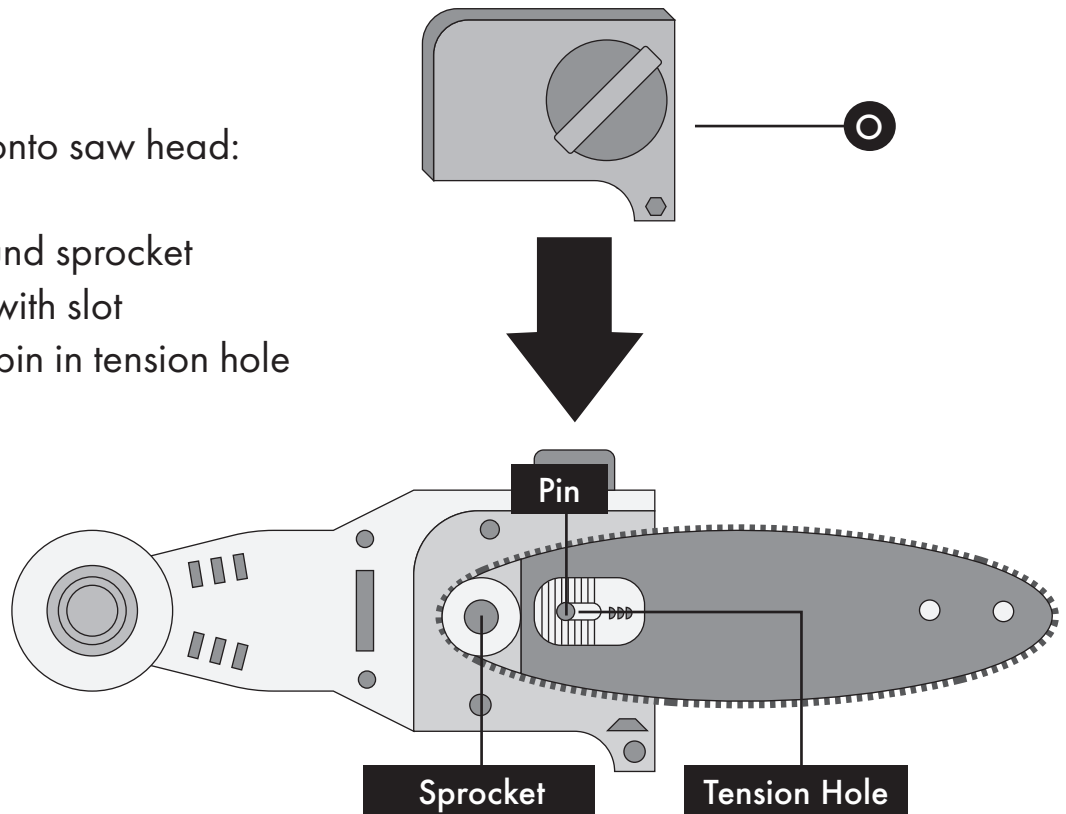


Installing/Replacing Guide Bar + Cutting Chain

5

Position assembly onto saw head:

- Loop chain around sprocket
- Align bar studs with slot
- Place adjusting pin in tension hole



6

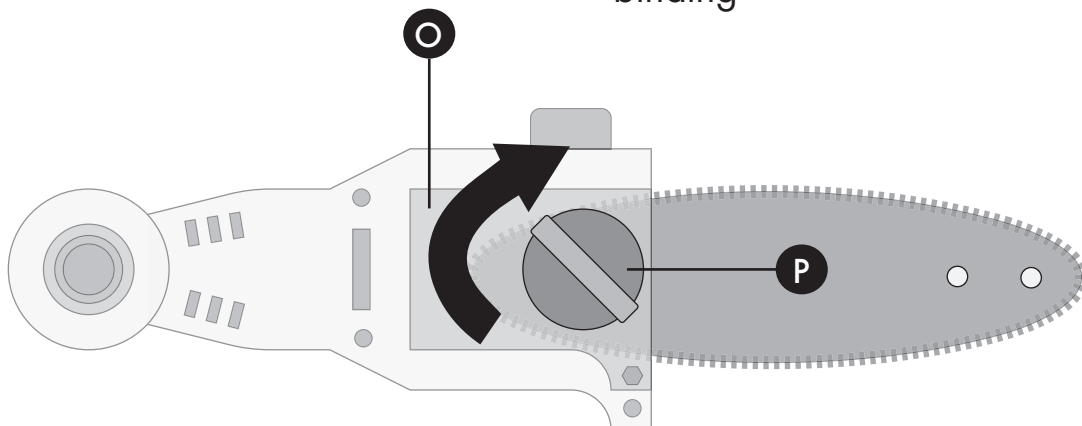
Replace cover (O) and loosely tighten

Proper Tension Test

- Adjust chain tension by turning knob (P) clockwise until snug
- Final check: Chain should be snug but manually rotatable

Chain is correctly tensioned when:

- No sag on guide bar's underside
- Chain moves freely by hand without binding



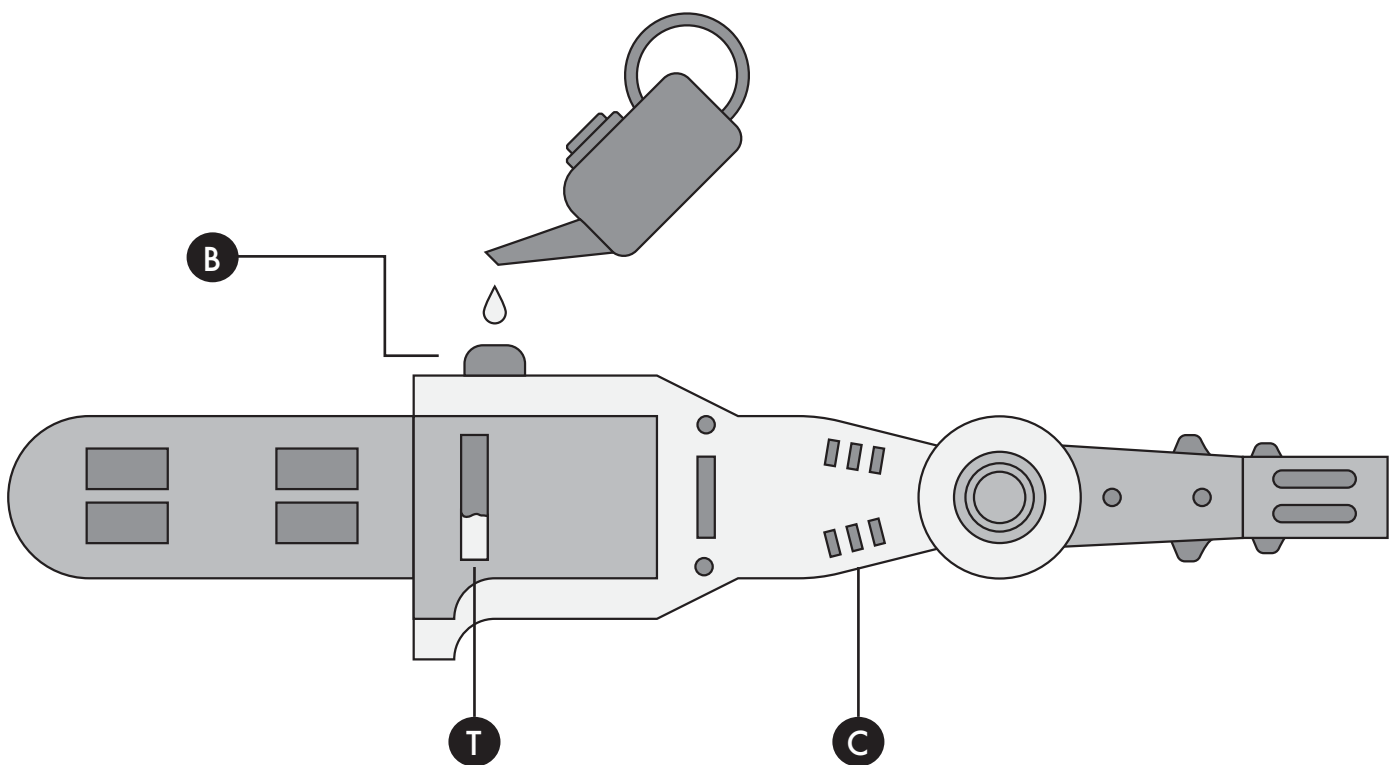
Oil Tank Instructions

Steps

- **Before Starting:** Remove the oil tank cap (B) and add bar and chain oil to the top of the oil level indicator window (T).
- **Oil Consumption:** The saw uses about 0.15 fl oz (4 ml) of oil per minute. Refill when the oil level drops to 1/4 of a tank.
- **Automatic Oiling:** The chain saw head (C) has an automatic oil pump. Use only good quality bar and chain oil.

Important Notes

- Lubricate the chain to prevent damage.
- It's normal for oil to seep when not in use. To prevent this, empty the oil tank after each use.
- For long-term storage (3 months or more), lightly lubricate the chain to prevent rust.



Information

Nuts and Screws

- Regularly check and tighten all nuts and screws.
- Ensure the telescoping lock (M) and assembly lock (N) are secure.

Chain Tension

- **Cold Chain Check:** Ensure there is no slack on the underside of the guide bar (S). The chain should be snug but able to rotate by hand.
- **Warm Chain Adjustment:** During use, the chain will warm up, and the drive links should hang about 0.050 in. (1.25 mm) out of the bar groove.
- **Important:** Re-check the "cold tension" before the next use, as chains may tighten when cooled. Re-tension if the flats on the drive links are visible.

Chain Sharpening

- Sharpen when sawdust looks like dust, cutting is difficult, cuts are not straight, or vibrations increase.
- Use the correct tools or consult an expert for sharpening.

Replacement Chain

Use an 8" Oregon Chain.

Guide Bar Maintenance

- Turn the bar to distribute wear.
- Smooth any burrs with a file.
- Replace the bar if it's worn, bent, or has damaged rails.

Chain Sprocket

Check regularly and replace if wear exceeds 0.5 mm.'

Troubleshooting

Most issues are easy to resolve. Refer to the troubleshooting table for common problems and solutions. For further assistance, contact support@domu.co.uk

WARNING! Always remove the battery (V) before performing any adjustments or maintenance.

Saw Motor Fails to Start

- Ensure the battery (V) is properly inserted and charged.
- Fully depress the safety lock switch (J) before squeezing the trigger switch (K).

Saw Runs, but Chain Speed is Low

- The chain is too tight; adjust it to the correct tension.

Bar and Chain Running Hot and Smoking

- Chain tension is too tight; re-tension.
- Oil tank (T) is empty; refill.
- Clean the lubrication holes.

Saw Motor Runs, but Chain is Not Turning

- The chain is too tight; adjust it to the correct tension.
- Inspect and replace any damaged guide bar (S) or chain (R).

Information

Safety Instructions

- **Environment:** Avoid wet areas and rain; use indoors and store dry.
- **Safety Gear:** Wear snug clothing, gloves, and eye protection.
- **Usage:** Use as intended; don't force or overreach.
- **Awareness:** Operate when alert; avoid if under the influence.
- **Storage:** Keep tools away from children.
- **Maintenance:** Follow instructions and inspect for damage.
- **Battery Safety:** Use specified chargers and batteries. Avoid heat, fire, and metal contacts.
- **Repairs:** Only use qualified technicians for repairs.
- **Electrical Safety:** Keep away from power lines.

Battery Safety Instructions

- **Handling & Storage:** Do not disassemble, expose to heat, or drop the battery. Keep it away from metals like keys to prevent short-circuits. Store safely out of children's reach.
- **Charging:** Use only the specified charger, charge before use, and avoid overcharging. Operate between 59°F - 77°F (15°C - 25°C).
- **Maintenance:** Keep clean and dry. Wipe terminals with a dry cloth if dirty.
- **In Case of Leak:** Avoid contact with skin or eyes; wash and seek medical help if needed.
- **Disposal:** Follow proper disposal guidelines and keep instructions for reference.

Additional Safety for Battery Charger

- **Usage:** Read instructions, use indoors, and ensure proper voltage. Do not charge leaking batteries.
- **Care:** Keep dry and protect from moisture. Do not short-circuit or leave unattended.
- **Compatibility:** Charge only compatible models and maintain correct polarity.
- **Environment:** Charge in well-ventilated areas within 64.4°F - 75.2°F (18°C - 24°C).

Daily Checklist

- **Check for Damage:** Inspect the chain, guide bar, and motor housing.
- **Clean:** Remove debris from the oil port and guide bar rails.
- **Tension & Sharpness:** Ensure the chain is tight and teeth are sharp.
- **Oil Level:** Fill with new chain oil if necessary.

Note: Turn off immediately if you notice vibrations or odd sounds.

Technical Data

- Guide Bar Length: 8 in.
- Cutting Thickness Max: 7 in.
- Telescopic Pole Length: 7.7 ft to 10 ft
- Max. Reach: Up to 14 ft
- Multi-Angle Head: 0° to 30°
- Battery Pack: 20V d.c. 1.5Ah Lithium-Ion
- Weight: 9.2 lbs (including battery)

Information

Caution

- Remove the battery and let the saw cool for five minutes before servicing.
- Do not use if the tool is damaged.

Disposal

- **Recycling:** Use designated facilities and follow local regulations.
- **Packaging:** Recycle or store packaging for future use.

Battery Caution and Disposal

- **Dispose Properly:** Follow federal, state, and local guidelines. Cover terminals with tape.
- **Warnings:** Never burn batteries; they may emit toxic fumes.
- **Battery Use:** Install only same-type new batteries, maintain correct polarity, don't mix old and new, and avoid mixing types.

Always check with local authorities for specific recycling regulations.

Thank You

Thank you for purchasing your product/appliance.

Should you require assistance with your purchase, please contact us at support@domu.co.uk

VonHaus is a registered trademark of DOMU Brands Ltd.

Made in China for DOMU Brands.

Authorised Representative

Authorised Representative Service
77 Camden Street Lower
Dublin, D02 XE80, Ireland

Usage & Safety



Sharp edges



Protect your ears



Protect your eyes



Protect your hands



Wear suitable footwear



Protective clothing
must be worn



Beware of
kickback



Potential finger
trap points



Maintain a safe distance
from bystanders



Do not use in
wet conditions

Legal

DISPOSAL INFORMATION

Please recycle where facilities exist. Check with your local authority for recycling advice.

CUSTOMER SERVICE

If you are having difficulty using this product and require support, please contact support@vonhaus.com

WARRANTY

To register your product and find out if you qualify for a free extended warranty please go to www.vonhaus.com/warranty.

Please retain a proof of purchase receipt or statement as proof of the purchase date.

The warranty only applies if the product is used solely in the manner indicated in the warnings page of this manual, and all other instructions have been followed accurately.

Any abuse of the product or the manner in which it is used will invalidate the warranty.

RETURNS

Returned goods will not be accepted unless re-packaged in its original packaging and accompanied by a relevant and completed returns form. This does not affect your statutory rights.

No rights are given under this warranty to a person acquiring the appliance second-hand or for commercial or communal use.

COPYRIGHT

All material in this instruction manual are copyrighted by DOMU Brands.

Any unauthorised use may violate worldwide copyright, trademark, and other laws.



Product No. 3519007