

vonhaus

POLE HEDGE TRIMMER



Setup Instructions

Product No. 3519006

Need further help?
support@vonhaus.com

Besoin d'aide supplémentaire ?
support@vonhaus.com

Benötigen Sie weitere Hilfe?
support@vonhaus.com

Necesita más ayuda?
support@vonhaus.com

Hai bisogno di ulteriore assistenza?
support@vonhaus.com

See our full range at
www.vonhaus.com

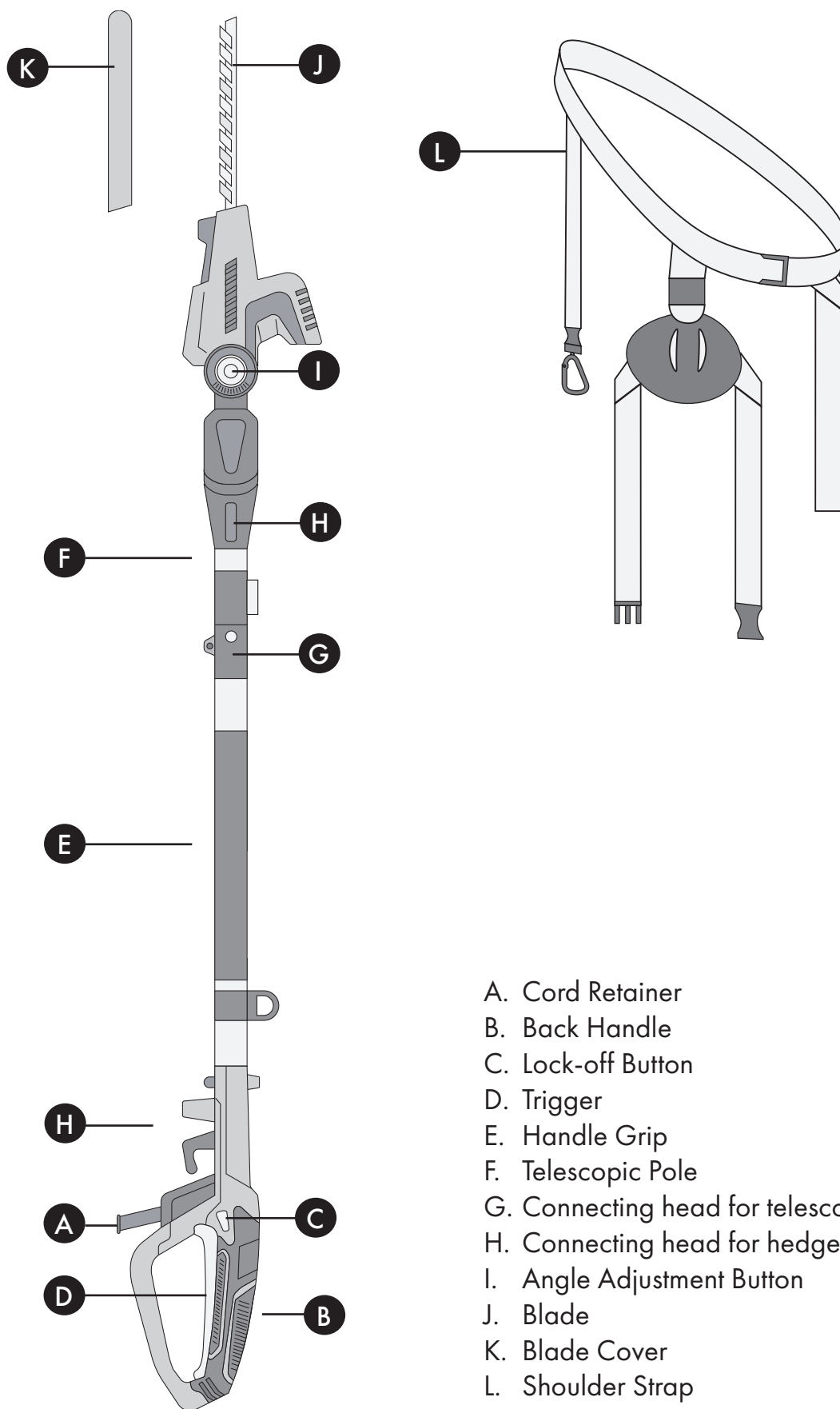
Découvrez notre gamme complète sur
www.vonhaus.com

**Entdecken Sie unser gesamtes
Sortiment auf**
www.vonhaus.com

Descubra toda nuestra gama en
www.vonhaus.com

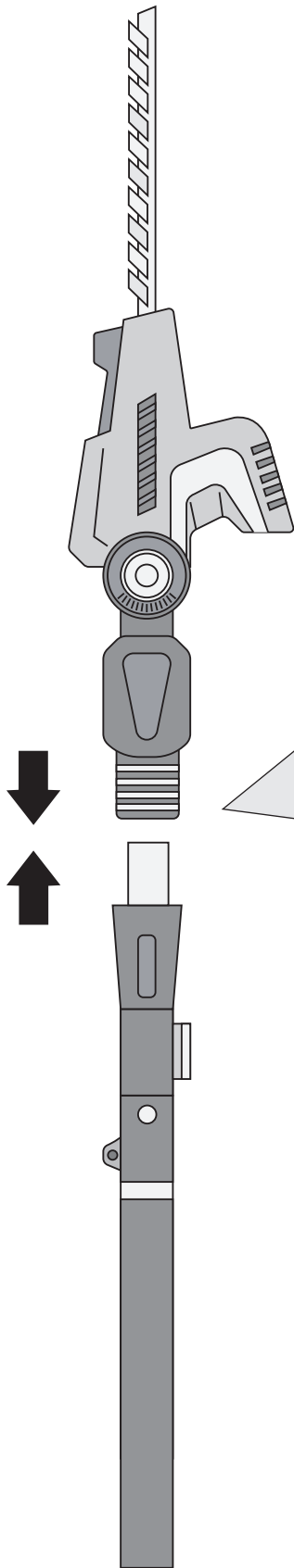
Scopri tutta la nostra gamma su
www.vonhaus.com

Parts & Components

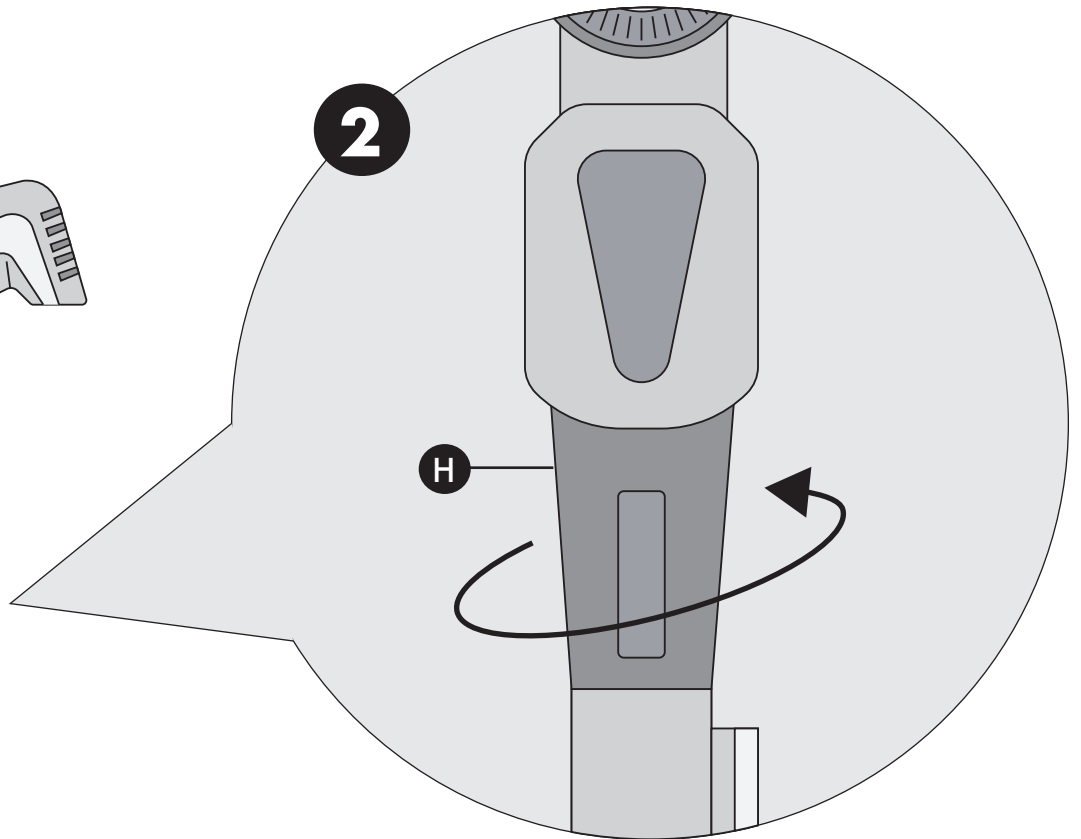


Assembly

1

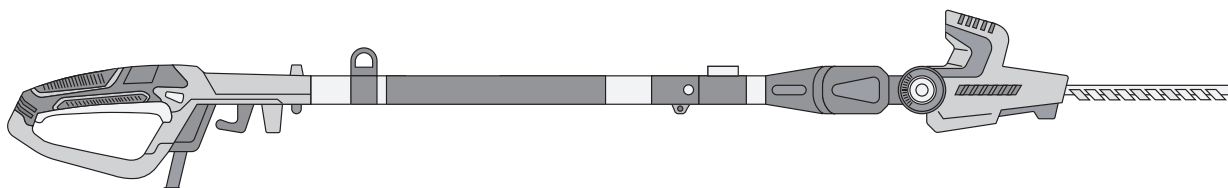


2

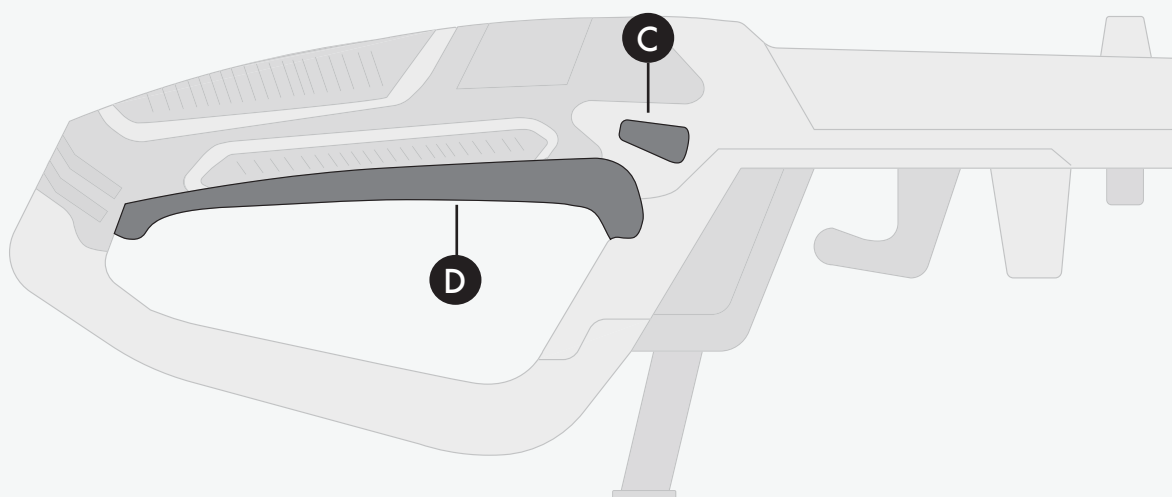


Operation

- 1** Plug the garden tool into a power supply.

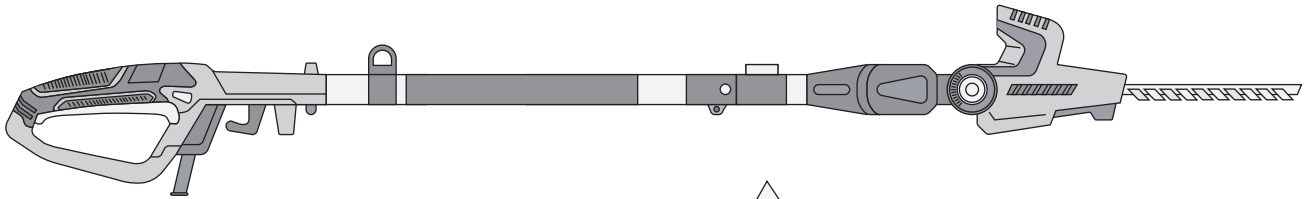


- 2** To turn the hedge trimmer ON, push and hold the safety lock switch (C) located on the handle forward with your thumb, then squeeze the trigger switch (D) with your fingers. Once the tool is running, you can release the safety lock switch.

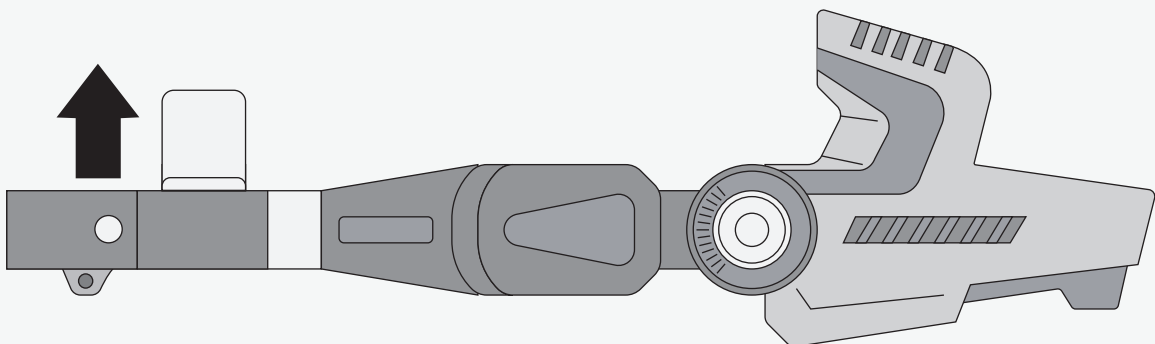


- 3** To turn the tool OFF, release the trigger switch (D)

Adjusting the Telescoping Pole

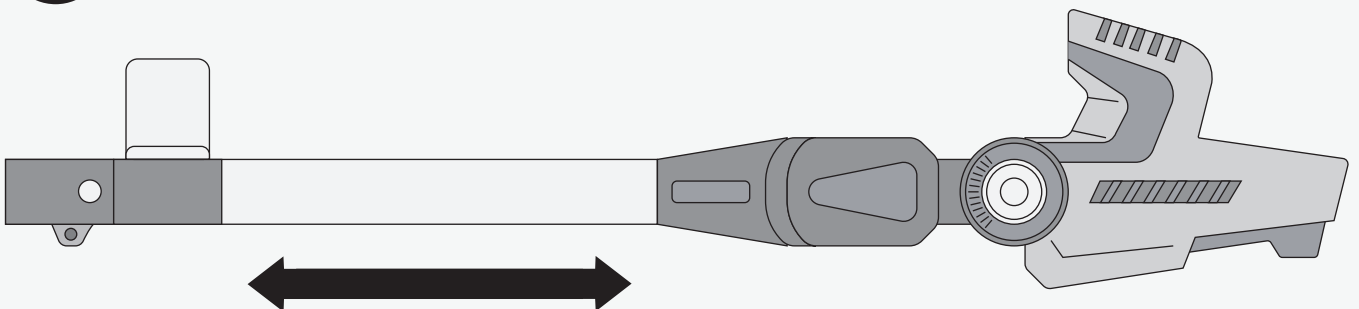


1



Pull the switch upwards to unlock the Telescoping Pole (F)

2



Extend only as needed to reach the hedge. Lock the pull by pulling the switch back down once adjusted.

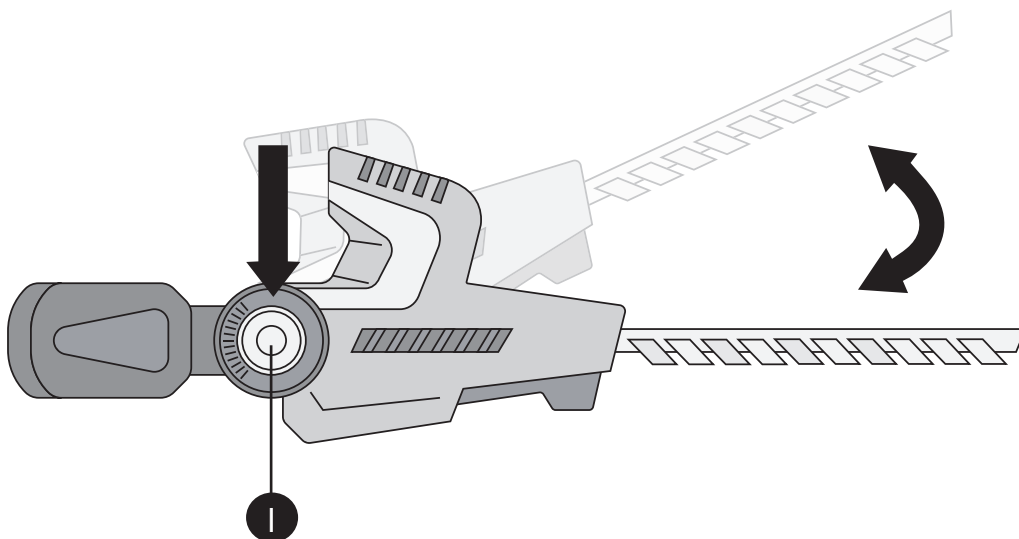
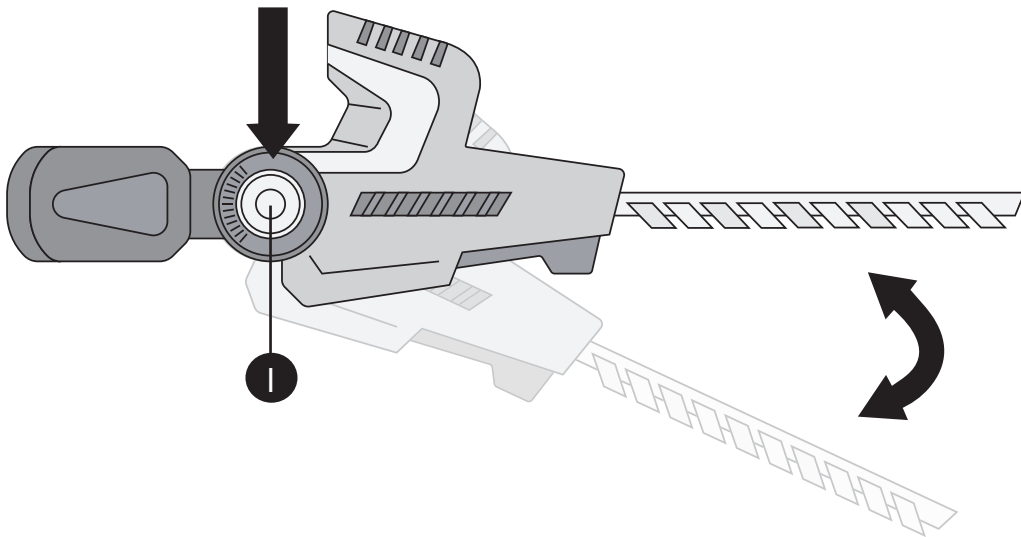


WARNING: Failure to lock the telescoping lock properly after adjusting could result in personal injury.

Adjusting the Multi-Angle Head

1. **Disconnect Power:** Unplug the tool.
2. **Position the Tool:** Place the hedge trimmer on a flat surface.
3. **Adjust Head:** Push the pivot button to set the trimmer head into one of the 10 positions.

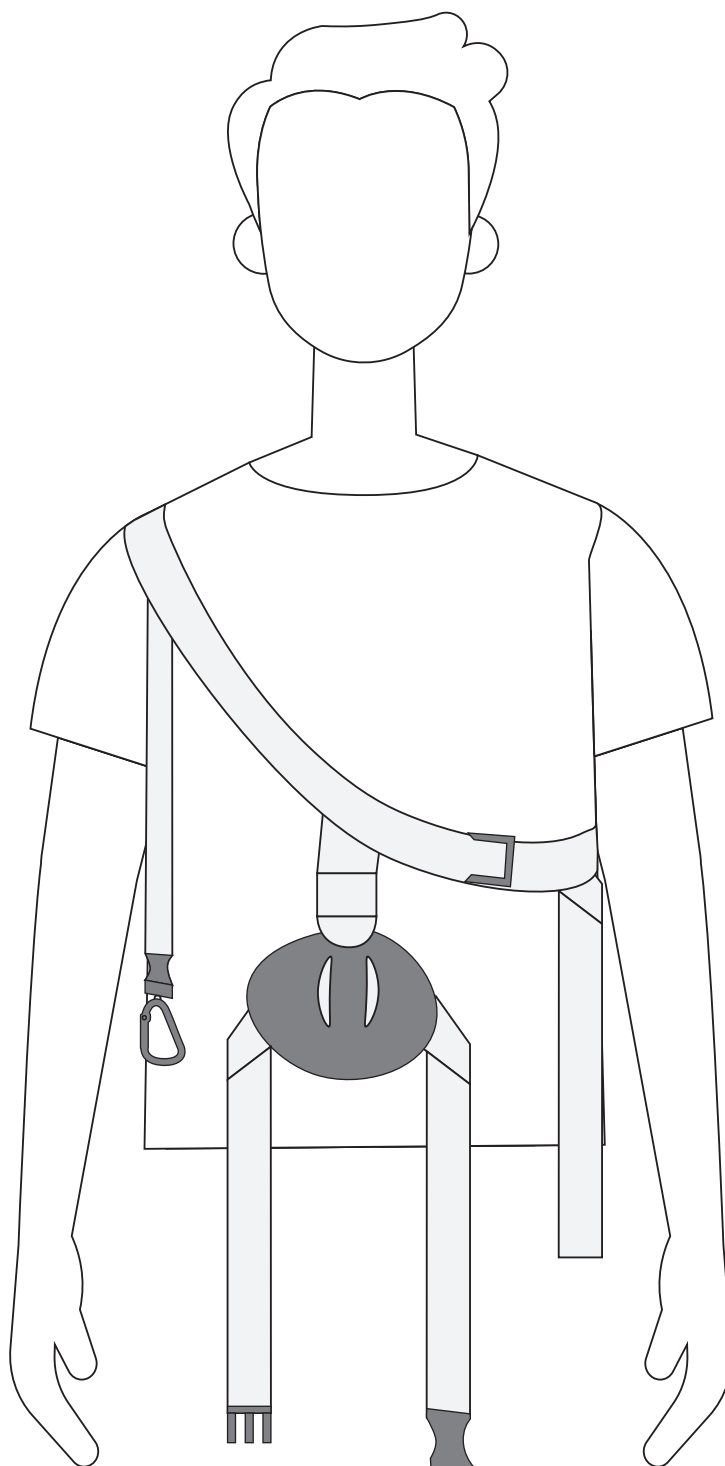
WARNING: Keep hands away from the pivoting head and base to avoid pinch injuries.



How to Use the Harness

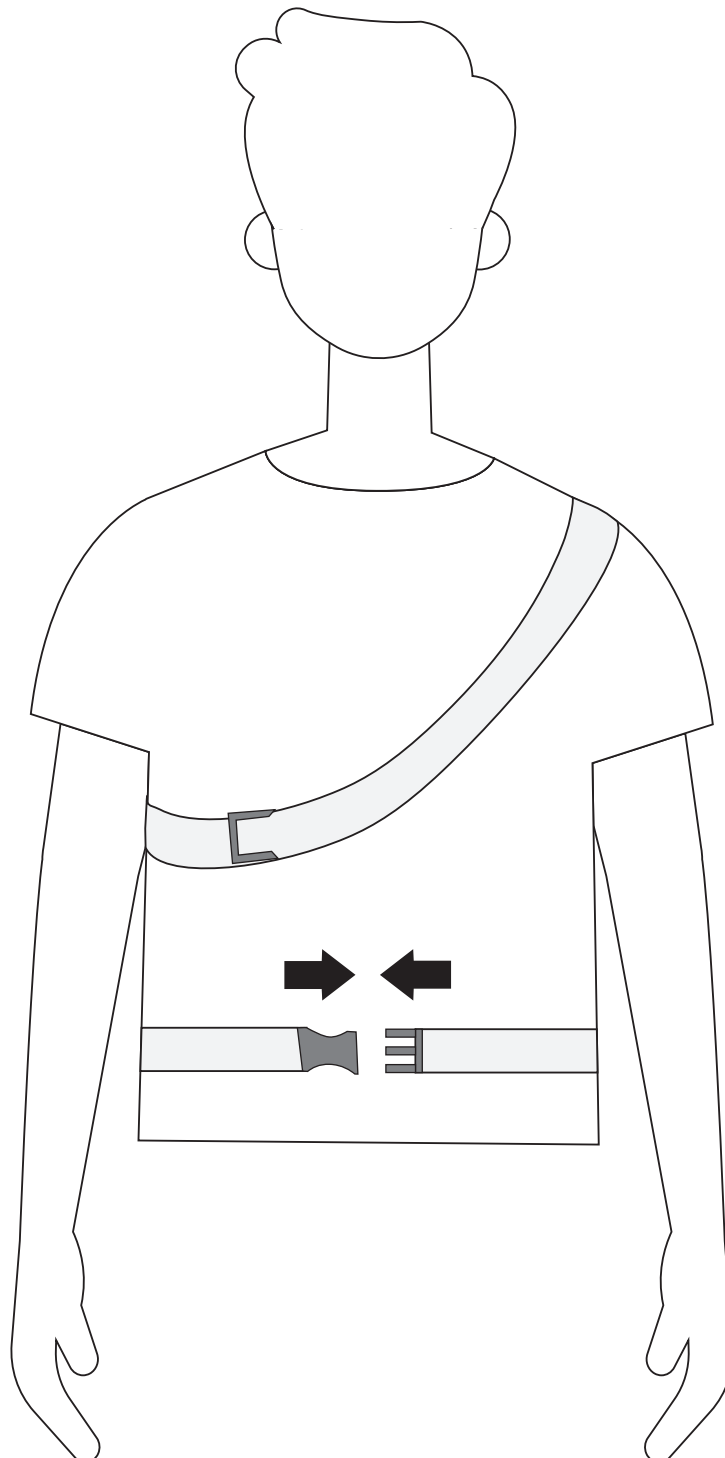
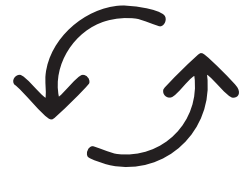
1

Place the large upper loop of the shoulder strap over your head and let it rest on your shoulder.



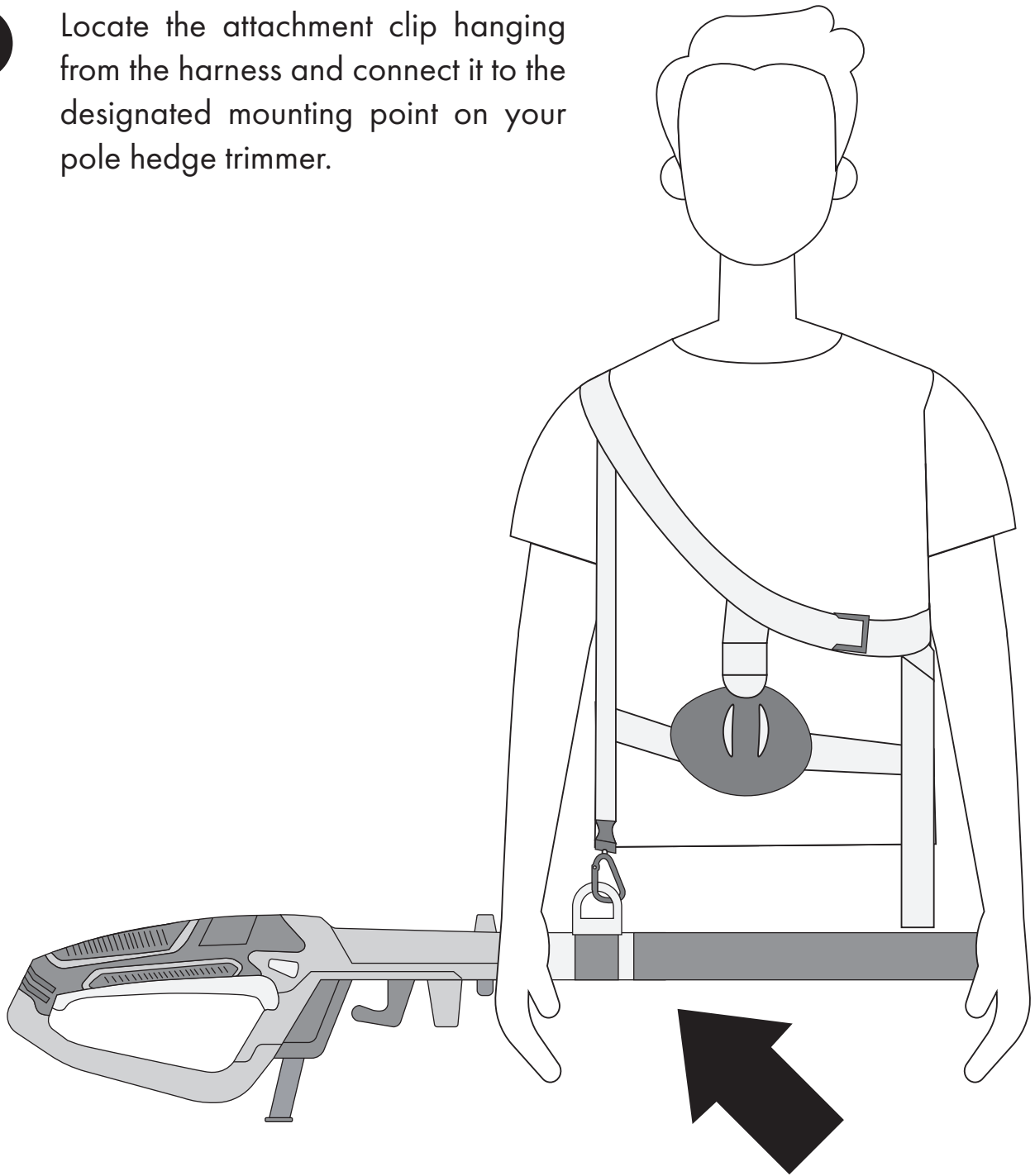
How to Use the Harness

- 2** Take the lower strap portion and wrap it around your waist, then secure the buckle at the back until it clicks.



How to Use Harness

- 3** Locate the attachment clip hanging from the harness and connect it to the designated mounting point on your pole hedge trimmer.



WARNING: Ensure all buckles are securely fastened and the harness fits snugly before operating the equipment.

Information

General Safety

- Read all instructions before use
- Keep work area clean and well-lit
- Wear proper protective equipment: eye protection, dust mask, non-skid shoes, hard hat and hearing protection
- Do not use under influence of drugs or alcohol
- Keep children and bystanders away during operation
- Store tools safely away from children when not in use

Electrical Safety

- Use only unmodified plugs that match outlets
- Avoid body contact with grounded surfaces
- Keep tools dry and away from rain/moisture
- Don't abuse power cords - never carry tool by cord or yank to disconnect
- Use proper outdoor extension cords when working outside
- Use RCD (residual current device) protection in damp conditions

Safe Operation

- Ensure tool is switched off before connecting power
- Remove adjustment keys/wrenches before starting
- Maintain stable footing and balance
- Avoid loose clothing and jewelry; tie back long hair
- Don't force tools - use correct tool for the job
- Keep tools sharp and well-maintained
- Disconnect power before adjusting or changing accessories
- Have repairs done by qualified technicians using identical parts

Warnings

- Keep body parts away from moving blades
- Use blade cover during transport/storage
- Hold only by insulated gripping surfaces
- Keep power cord away from cutting area
- Wear dust mask and hearing protection
- Be aware of electromagnetic field effects on medical implants

WARNING: Failure to follow safety guidelines may result in serious injury, electric shock or fire.

Information

Application Range

The pole hedge trimmer is designed exclusively for cutting and trimming hedges, bushes, and shrubs around your home. Any other usage not specified in this manual may damage the device and pose serious risks to users.

This electric hedge trimmer is intended for adult use only. Adolescents over 16 years may operate it only under adult supervision. The trimmer should not be used in rain or humid conditions.

Users are responsible for any accidents or damage to themselves, others, or property. The manufacturer is not liable for damages resulting from misuse or improper operation.

Operation

WARNING: Do not let familiarity with this product lead to carelessness. A moment of inattention can cause serious injury.

WARNING: Always wear safety goggles or glasses with side shields when operating power tools. Failure to do so may result in serious eye injuries from flying objects.

WARNING: Only use attachments or accessories recommended by the manufacturer. Unapproved accessories can cause personal injury.

Cutting Tips

WARNING:

- Always use both hands on the hedge trimmer. Never hold shrubs with one hand while operating the trimmer.
- Clear the cutting area of objects that could entangle the blade.

When using the hedge trimmer, keep the extension cord behind it—never drape it over the hedge.

Do not force the trimmer through thick shrubbery; if blades slow down, reduce your pace. Avoid cutting stems thicker than 3/4 inch—use a hand saw for larger stems.

If blades jam, stop the motor, let the blades stop, and disconnect the plug before removing the obstruction.

For a level hedge, stretch a string at your desired height and trim just above it. Shape the hedge so it's slightly narrower at the top for a uniform look.

Wear gloves when handling thorny growth. Use a sweeping motion for new growth, and a sawing motion for thicker, older stems.

Information

Read the safety information for safe operation when using the blade. Extreme care is essential to ensure safe operation. Refer to the Important Safety Instructions and Specific Safety Rules.

- **Hold the Unit Firmly:** Always use both hands—keep your left hand on the telescopic pole and your right hand on the rear handle. The unit is designed for cutting in either direction with a slow, sweeping motion from side to side.
- **Maintain Stability:** Stand with your feet firmly planted for balance. Inspect the area for hidden objects before starting.
- **Electrocution Prevention:** Do not operate within 50 feet of overhead electrical lines.
- **Avoid Hazards:** Never use the hedge trimmer near power lines, fencing, posts, buildings, or other immovable objects.
- **Inspect After Impact:** If the blade strikes a hard object, inspect it for damage before further use. Do not operate if any damage is detected.

Preparation for Cutting

- **Wear Protective Gear:** Use non-slip gloves for a secure grip and protection.
- **Maintain a Proper Grip:** Ensure your right hand is firmly gripping the rear handle while your left hand secures the pole shaft. Your body should be to the left of the chain line; never cross your body or arm over the chain line.
- **Avoid Direct Positioning:** Never stand directly under the limb being cut.
- **Check Collars:** Ensure collars are fully tightened before operating the equipment and check their tightness periodically during use to avoid serious injury.

Limbing and Pruning

This unit is designed for trimming small branches and limbs up to 16 mm in diameter. For optimal results, observe the following precautions:

- **Plan the Cut:** Be aware of the branch's fall direction, as it may not always fall as expected. Never stand directly under the branch being cut.
- **Proper Cutting Angle:** Position the unit at an angle of 60 degrees or less. A higher angle increases the difficulty of making the initial cut from the underside of the limb.
- **Remove Long Branches Gradually:** Cut lower branches first to give upper branches more room to fall.
- **Work Slowly and Steadily:** Keep both hands on the saw for a firm grip, and maintain secure footing and balance.
- **Safety Distance:** Keep the tree between you and the chain while cutting. Always cut from the side of the tree opposite the branch being cut. Do not cut from a ladder—this is extremely dangerous and should be left to professionals.
- **Flush Cuts:** Avoid making flush cuts next to the main limb or trunk until you have removed the limb further out to reduce weight. Following proper cutting procedures helps prevent stripping the bark from the main limb.
- **Limit Use:** Do not use the pole chain saw for felling or bucking. To prevent electrocution, maintain at least 15 meters away from overhead electrical lines, and keep bystanders at least 15 meters away.

Information

Maintenance and Servicing

WARNING: When servicing, use only identical replacement parts. Using any other parts may create hazards or cause product damage.

WARNING: Always wear safety goggles or glasses with side shields during operation or when blowing dust. If working in dusty conditions, also wear a dust mask.

WARNING: Before inspecting, cleaning, or servicing the unit, stop the motor, wait for all moving parts to cease, and disconnect from the power supply. Failure to follow these instructions can result in serious personal injury or property damage.

General Maintenance

Cleaning Precautions: Avoid using solvents on plastic parts, as they can cause damage. Use clean cloths to remove dirt, dust, oil, and grease.

WARNING:

- Never allow brake fluids, gasoline, or other petroleum-based products to contact plastic parts. Chemicals can weaken or destroy plastic, leading to serious personal injury.
- All other maintenance tasks, beyond the maintenance instructions in the manual, should be performed by qualified personnel.

Storing the Product

- Clean the Unit: Remove all foreign materials from the product. Store the unit indoors in a dry, well-ventilated area that is out of reach of children. Keep it away from corrosive

agents like garden chemicals and de-icing salts.

- Use the blade cover: Always attach the scabbard to the saw bar when transporting or storing the pole hedge trimmer. Carefully slide the cover over the blade, holding it at one end and in the center, to avoid the sharp blade.

NOTE: The blade is very sharp. Always wear protective gloves when handling the blade.

Trouble Shooting

Why is my pole trimmer vibrating excessively?

Inspect the blades for damage or debris and ensure they are properly attached.

Why is my pole trimmer not cutting properly?

Check if the blades are dull or if there is an obstruction.

Why is my pole trimmer making strange noises?

Check for loose parts or debris caught in the blades.

Usage & Safety



Sharp edges



Protect your ears



Protect your eyes



Protect your hands



Wear suitable footwear



Protective clothing
must be worn



Beware of
kickback



Potential finger
trap points



Maintain a safe distance
from bystanders



Do not use in
wet conditions

Legal

DISPOSAL INFORMATION

Please recycle where facilities exist. Check with your local authority for recycling advice.

CUSTOMER SERVICE

If you are having difficulty using this product and require support, please contact support@vonhaus.com

WARRANTY

To register your product and find out if you qualify for a free extended warranty please go to www.vonhaus.com/warranty.

Please retain a proof of purchase receipt or statement as proof of the purchase date.

The warranty only applies if the product is used solely in the manner indicated in the warnings page of this manual, and all other instructions have been followed accurately.

Any abuse of the product or the manner in which it is used will invalidate the warranty.

RETURNS

Returned goods will not be accepted unless re-packaged in its original packaging and accompanied by a relevant and completed returns form. This does not affect your statutory rights.

No rights are given under this warranty to a person acquiring the appliance second-hand or for commercial or communal use.

COPYRIGHT

All material in this instruction manual are copyrighted by DOMU Brands.

Any unauthorised use may violate worldwide copyright, trademark, and other laws.

THANK YOU

Thank you for purchasing your product/appliance.

Should you require assistance with your purchase, please contact us at support@domu.co.uk

VonHaus is a registered trademark of DOMU Brands Ltd.

Made in China for DOMU Brands.

Unit 30, Stakehill Industrial Estate,
Middleton, Manchester, M24 2RW

AUTHORISED REPRESENTATIVE

Authorised Representative Service
77 Camden Street Lower
Dublin, D02 XE80, Ireland



Product No. 3519006