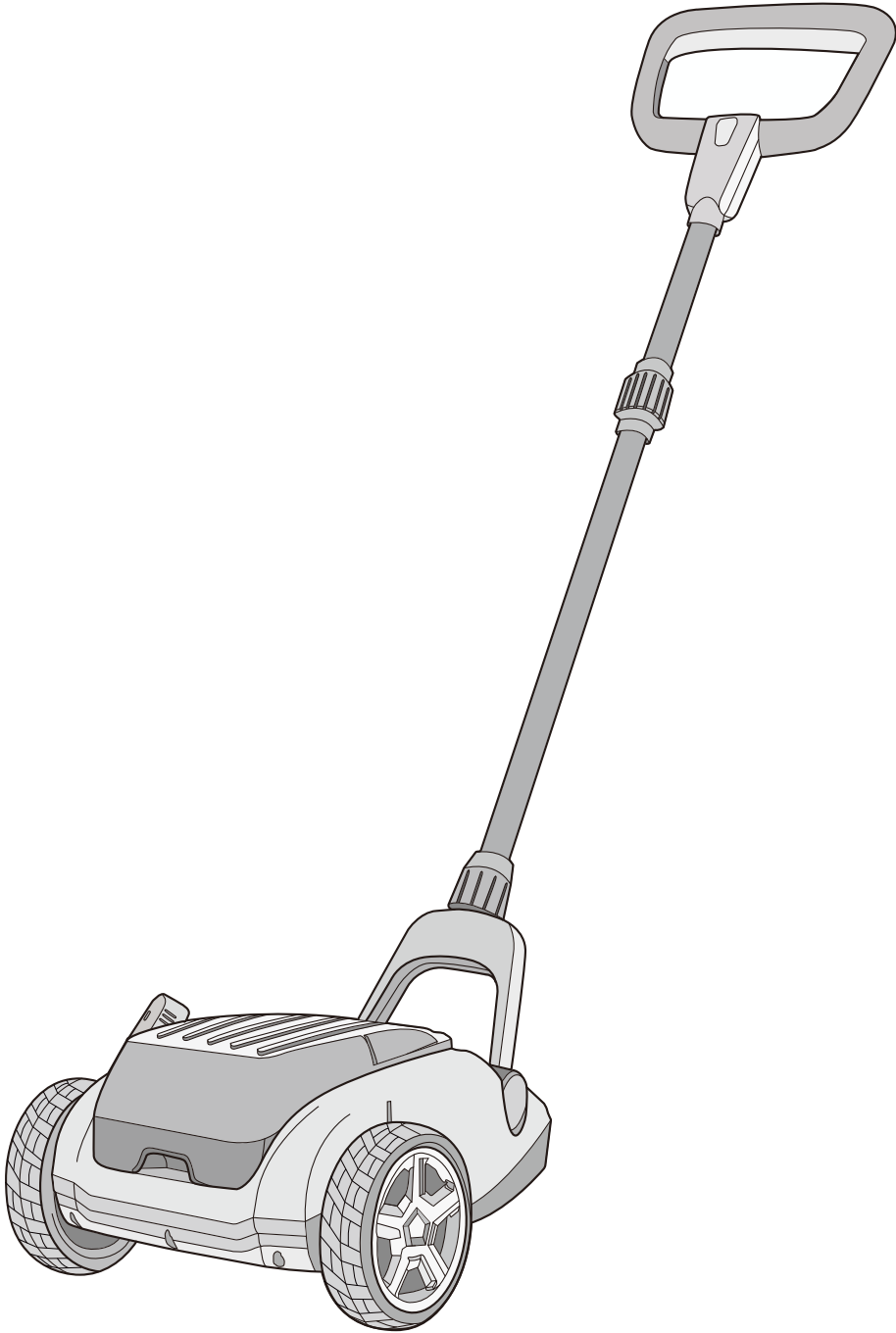


vonhaus

MINI LAWN MOWER



Setup Instructions

Product No. 3519002

Important

The device is designed exclusively for mowing private lawns. The lawn must be dry and level. Flowering meadows, wild meadows, and heavily overgrown lawns with high weeds (e.g., thistles) are not considered lawns.

It is intended exclusively for private use and is not suitable for commercial use. Only use the device as described in these operating instructions. Any other use is considered improper and can lead to property damage or personal injury.

Need further help?
support@vonhaus.com

Besoin d'aide supplémentaire ?
support@vonhaus.com

Benötigen Sie weitere Hilfe?
support@vonhaus.com

Necesita más ayuda?
support@vonhaus.com

Hai bisogno di ulteriore assistenza?
support@vonhaus.com

See our full range at
www.vonhaus.com

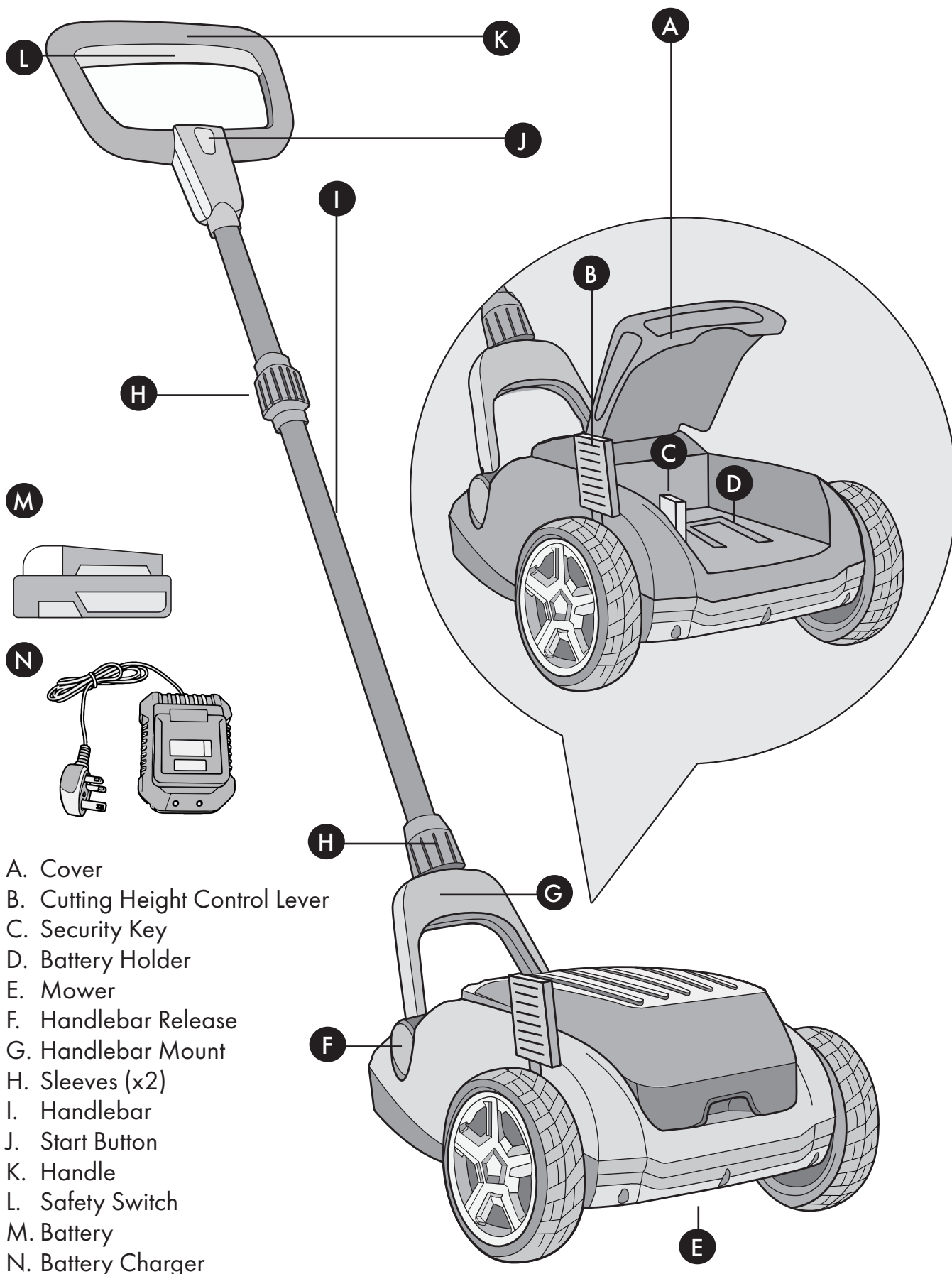
Découvrez notre gamme complète sur
www.vonhaus.com

**Entdecken Sie unser gesamtes
Sortiment auf**
www.vonhaus.com

Descubra toda nuestra gama en
www.vonhaus.com

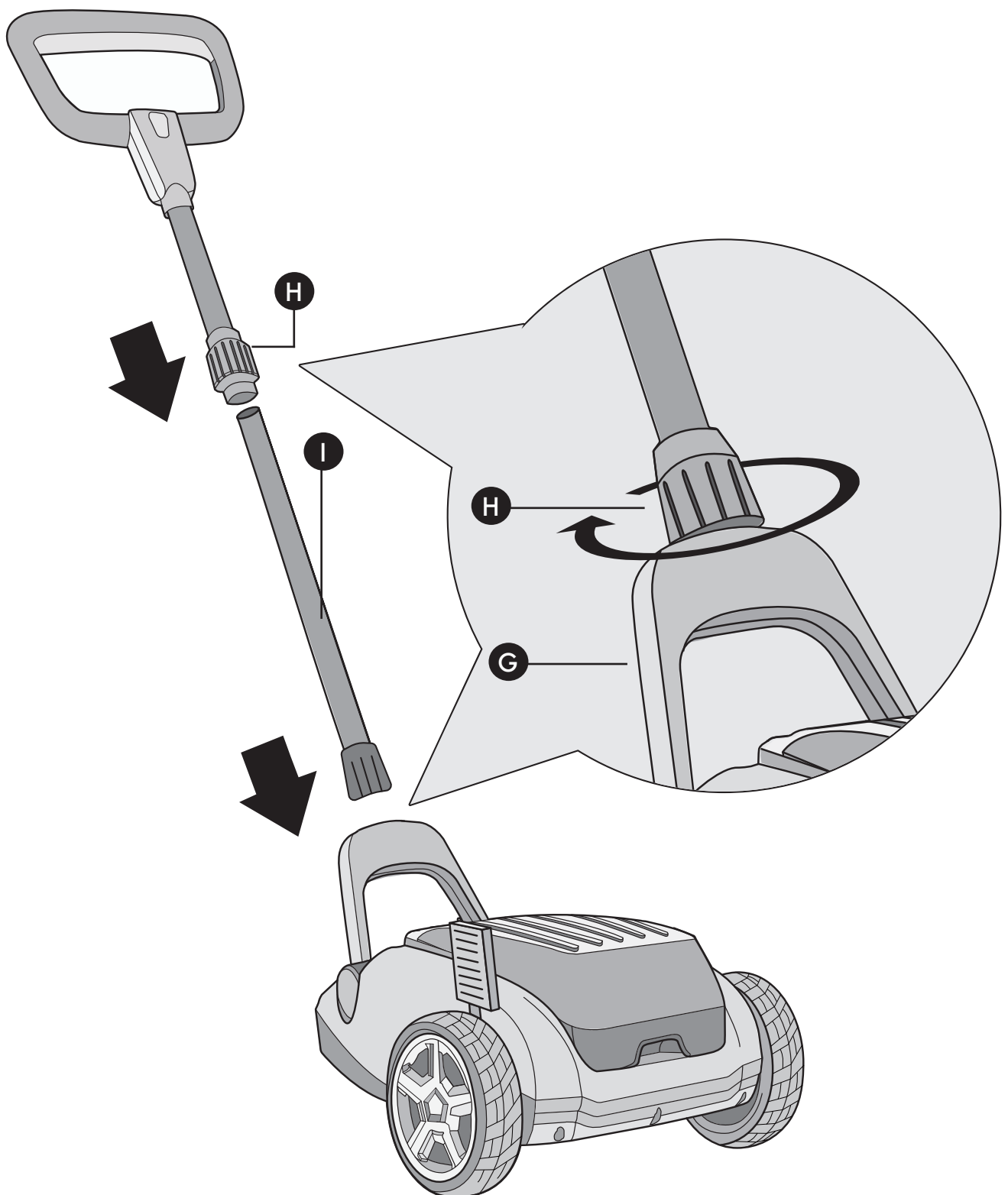
Scopri tutta la nostra gamma su
www.vonhaus.com

Components



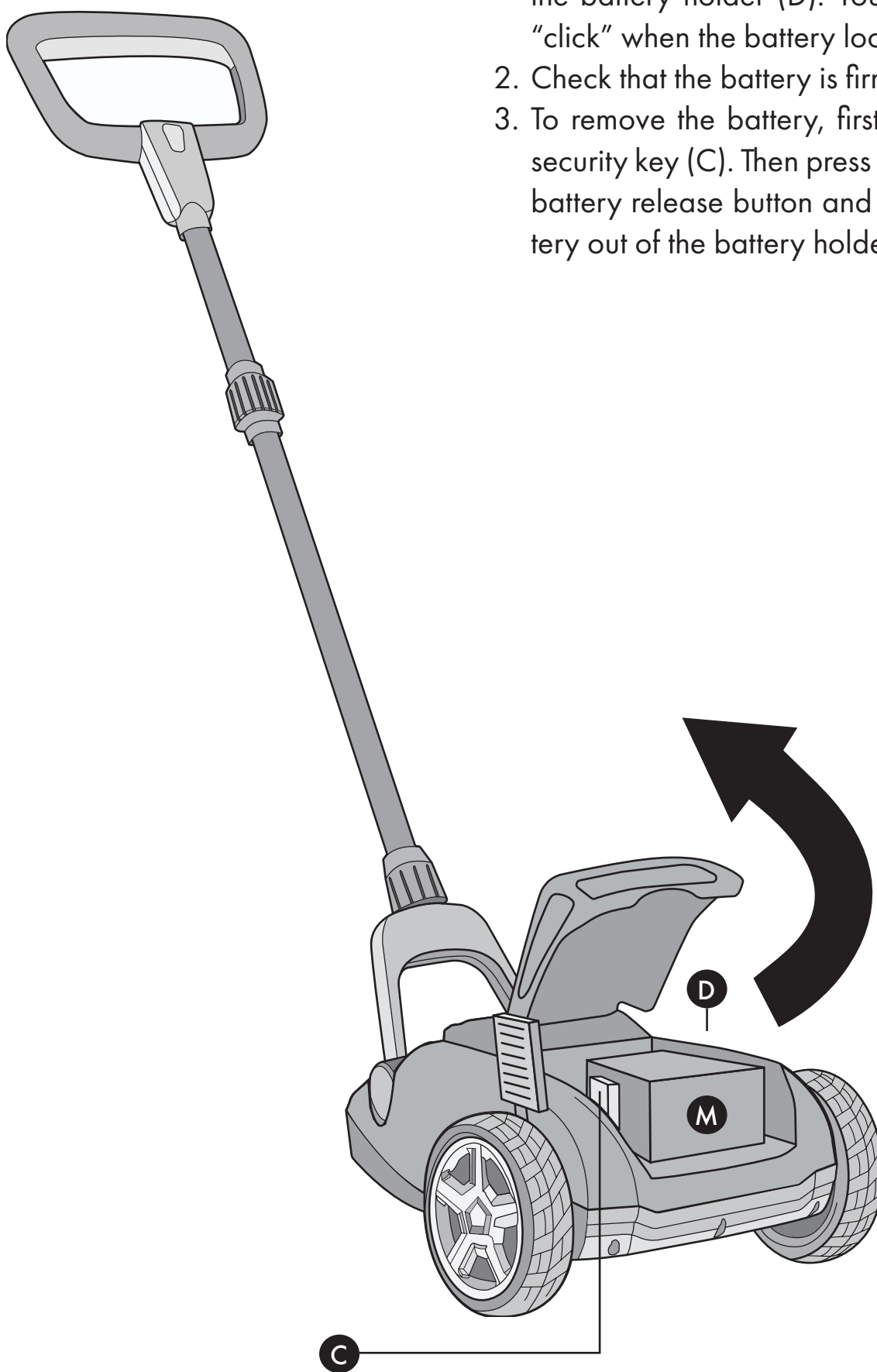
- A. Cover
- B. Cutting Height Control Lever
- C. Security Key
- D. Battery Holder
- E. Mower
- F. Handlebar Release
- G. Handlebar Mount
- H. Sleeves (x2)
- I. Handlebar
- J. Start Button
- K. Handle
- L. Safety Switch
- M. Battery
- N. Battery Charger

Mounting the Handle Bar



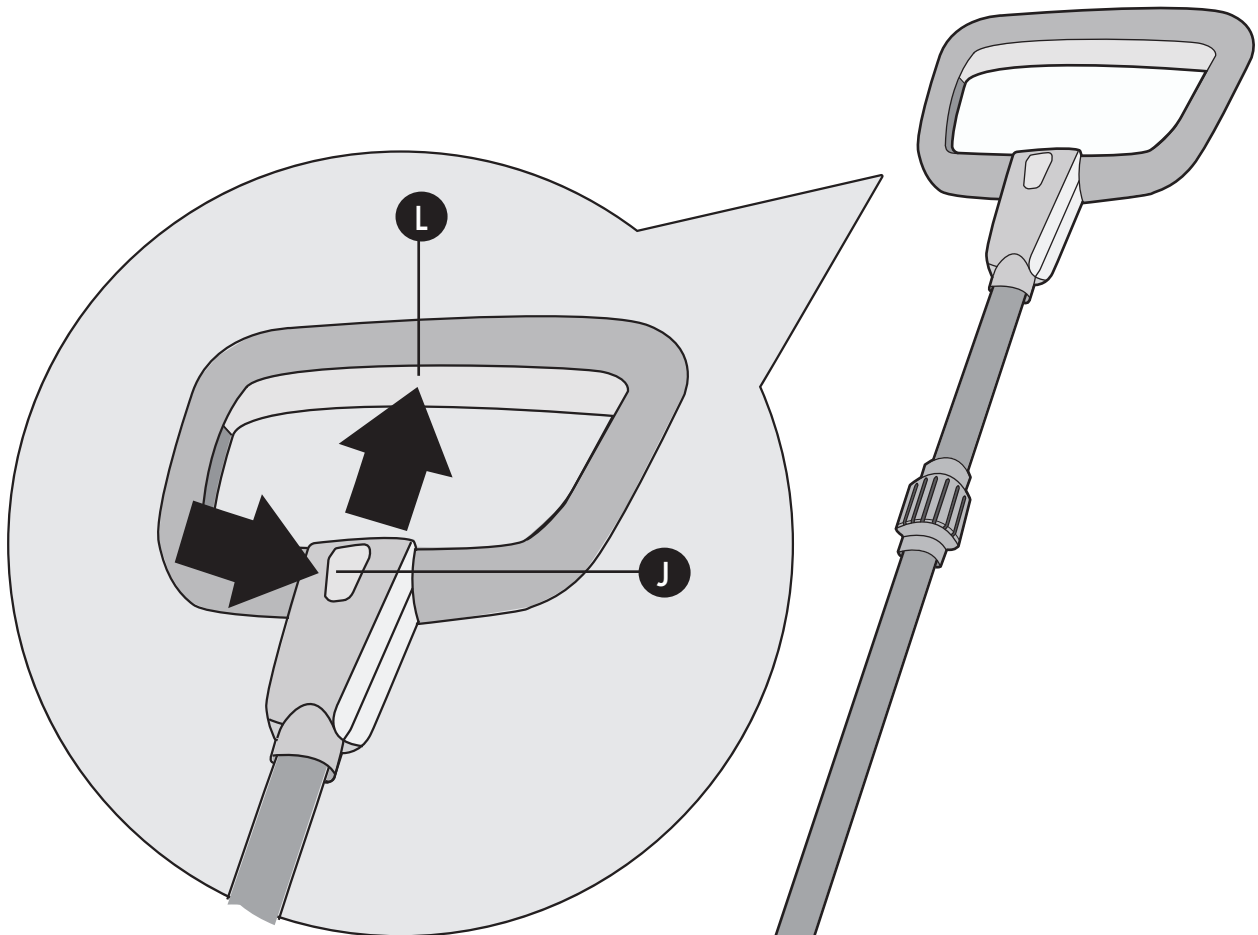
Inserting the Battery

1. To insert the battery (M), slide it into the battery holder (D). You will hear a "click" when the battery lock engages.
2. Check that the battery is firmly seated.
3. To remove the battery, first remove the security key (C). Then press and hold the battery release button and pull the battery out of the battery holder.

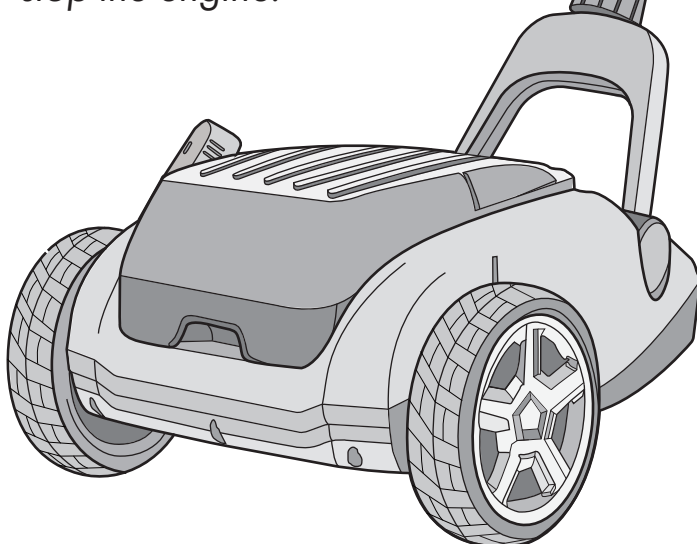


Turning On

1. Both the Start Button (J) and Safety Switch (L) must be pressed to start.
2. Once started, you can release the Start Button and just hold the switch on the handle to operate.



Release the safety bar (L) to stop the engine.



Adjusting the Cutting Height

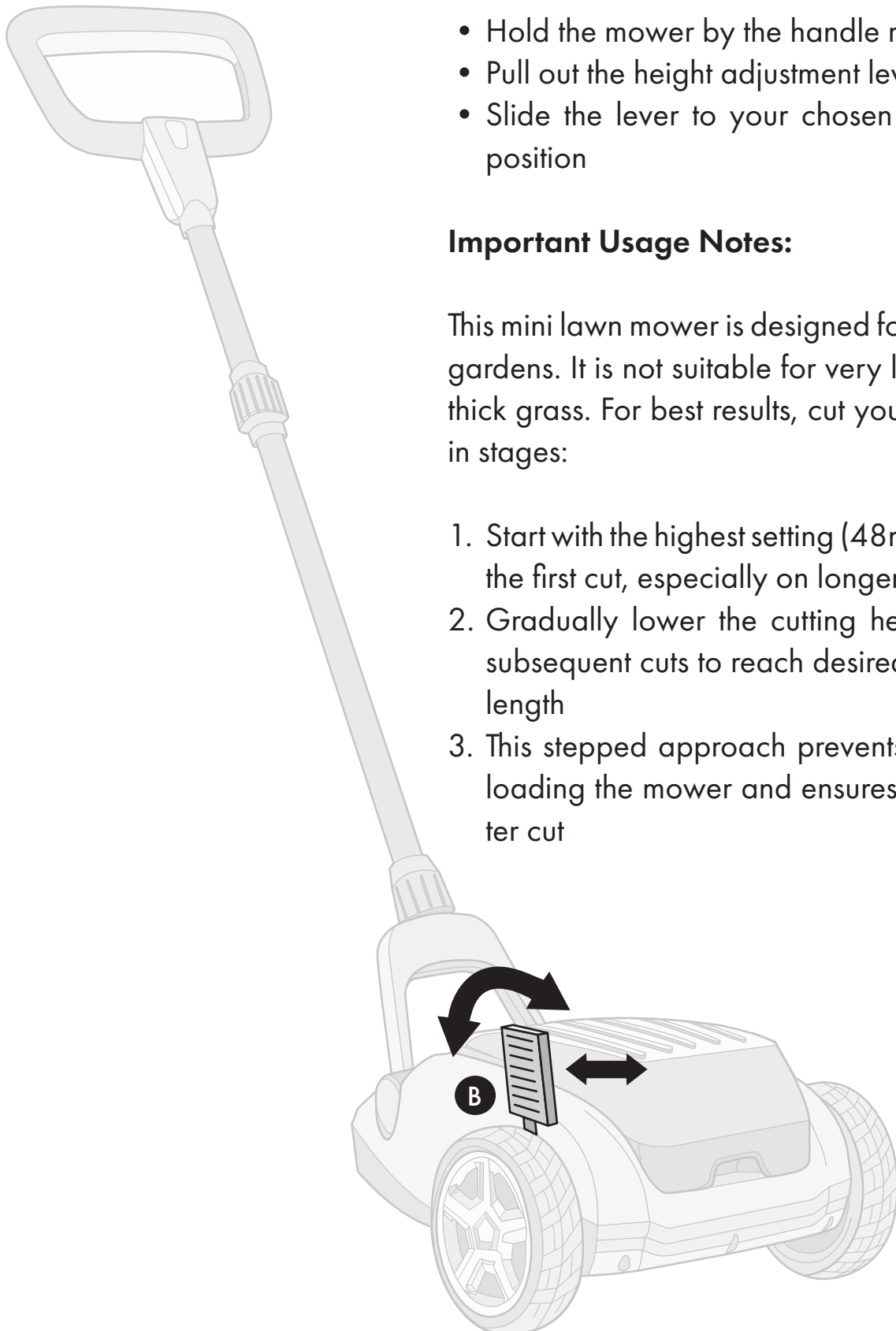
You can choose from 3 cutting heights (25-48mm):

- Hold the mower by the handle mount
- Pull out the height adjustment lever (B)
- Slide the lever to your chosen height position

Important Usage Notes:

This mini lawn mower is designed for small gardens. It is not suitable for very long or thick grass. For best results, cut your lawn in stages:

1. Start with the highest setting (48mm) for the first cut, especially on longer grass
2. Gradually lower the cutting height in subsequent cuts to reach desired grass length
3. This stepped approach prevents overloading the mower and ensures a better cut



Adjusting the Handle Bar

The handle can be set to your perfect height (between 27-63 degrees):

1. Press the release button (F)
2. Move handle to comfortable height
3. Make sure it locks in place

Automatic Motor Cut-Off

The mower is equipped with a safety switch that automatically cuts off the motor when the mower is operated at angles outside of the safe range of 27 to 63°.

Always ensure the mower remains within these specified angles during use.



Replacing the Blade

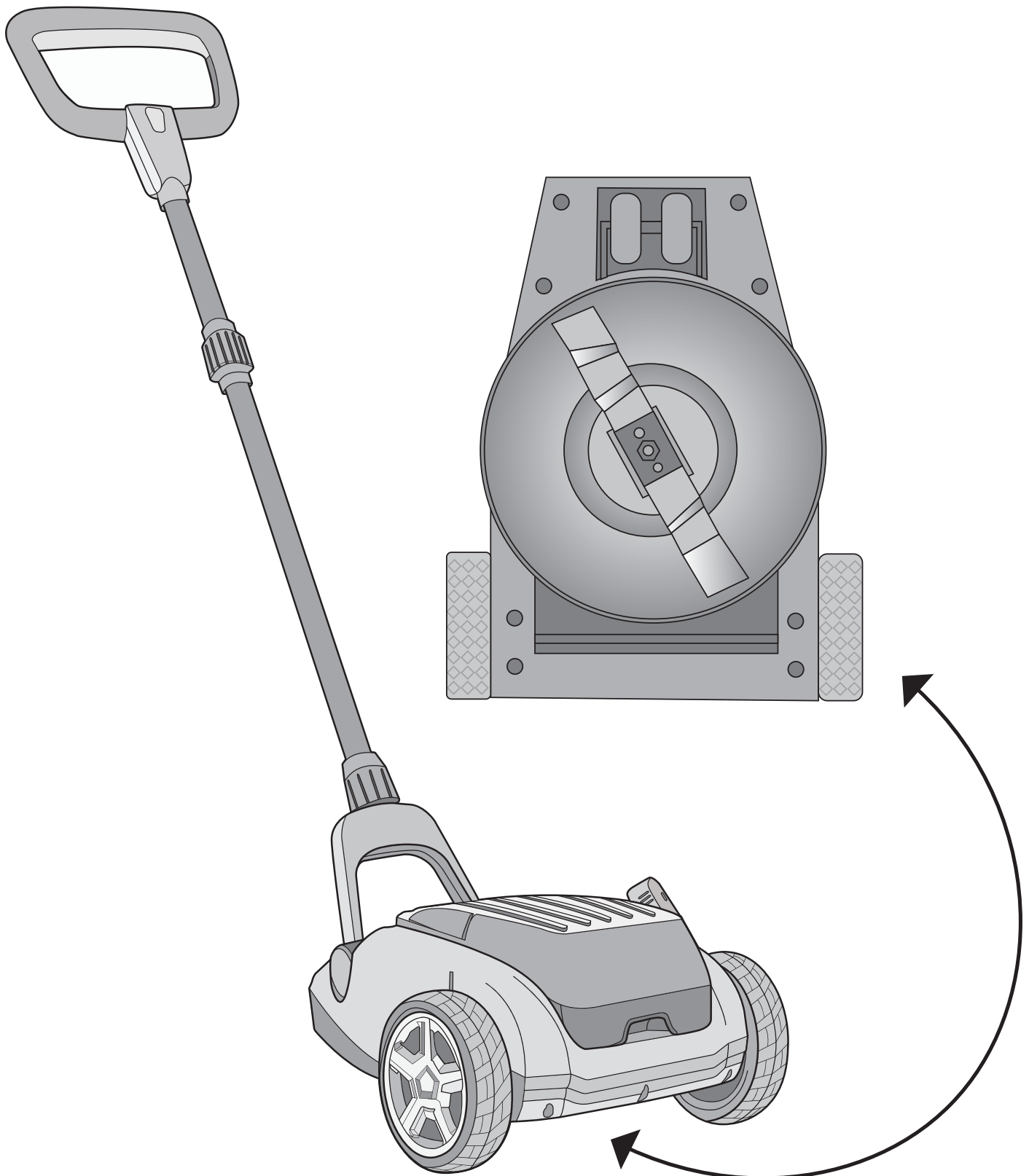
1

CAUTION:

Always remove the battery before servicing the lawn mower.

Prepare the mower

- Turn the mower off and remove the battery
- Carefully flip the mower onto its back

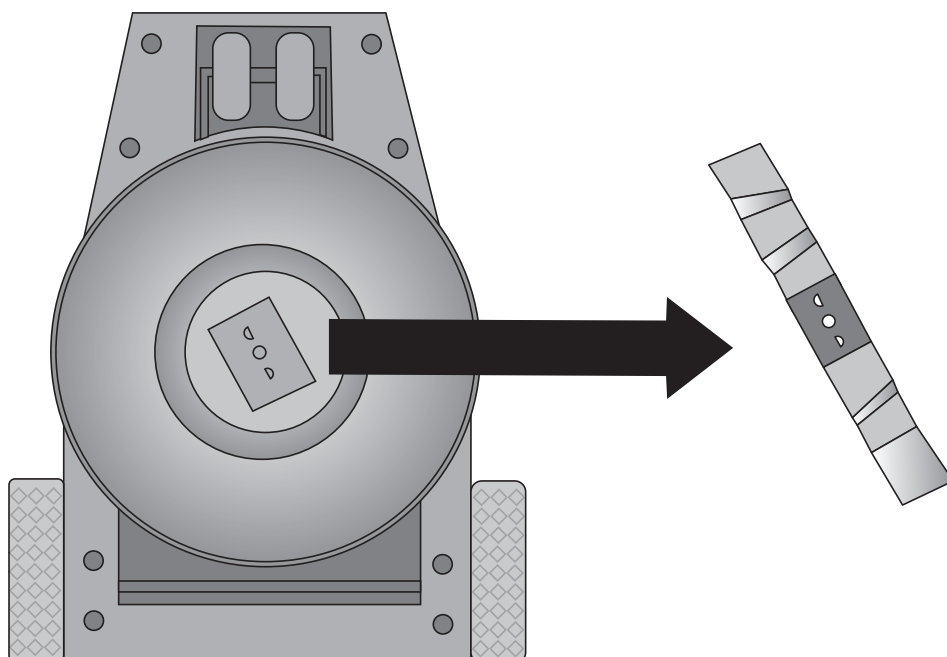
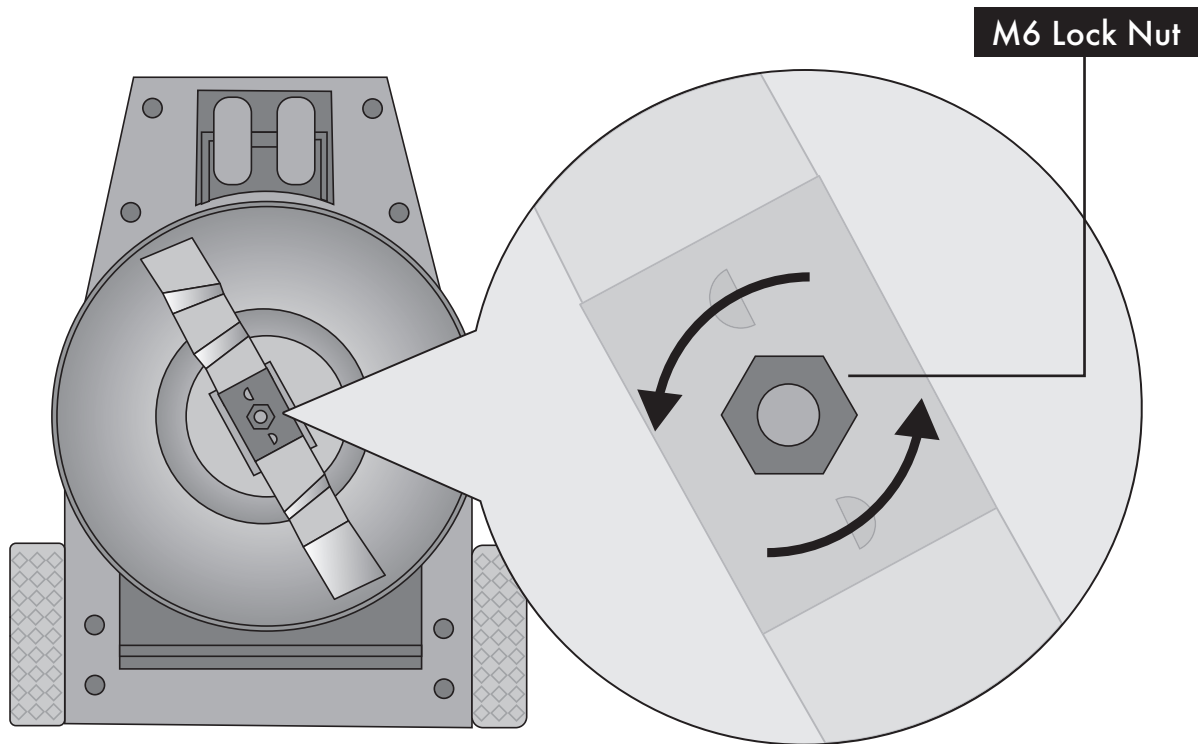


Replacing the Blade

2

Remove the old blade:

- You'll need your own wrench to remove the M6 lock nut
- Note: Wrench is not included with the machine

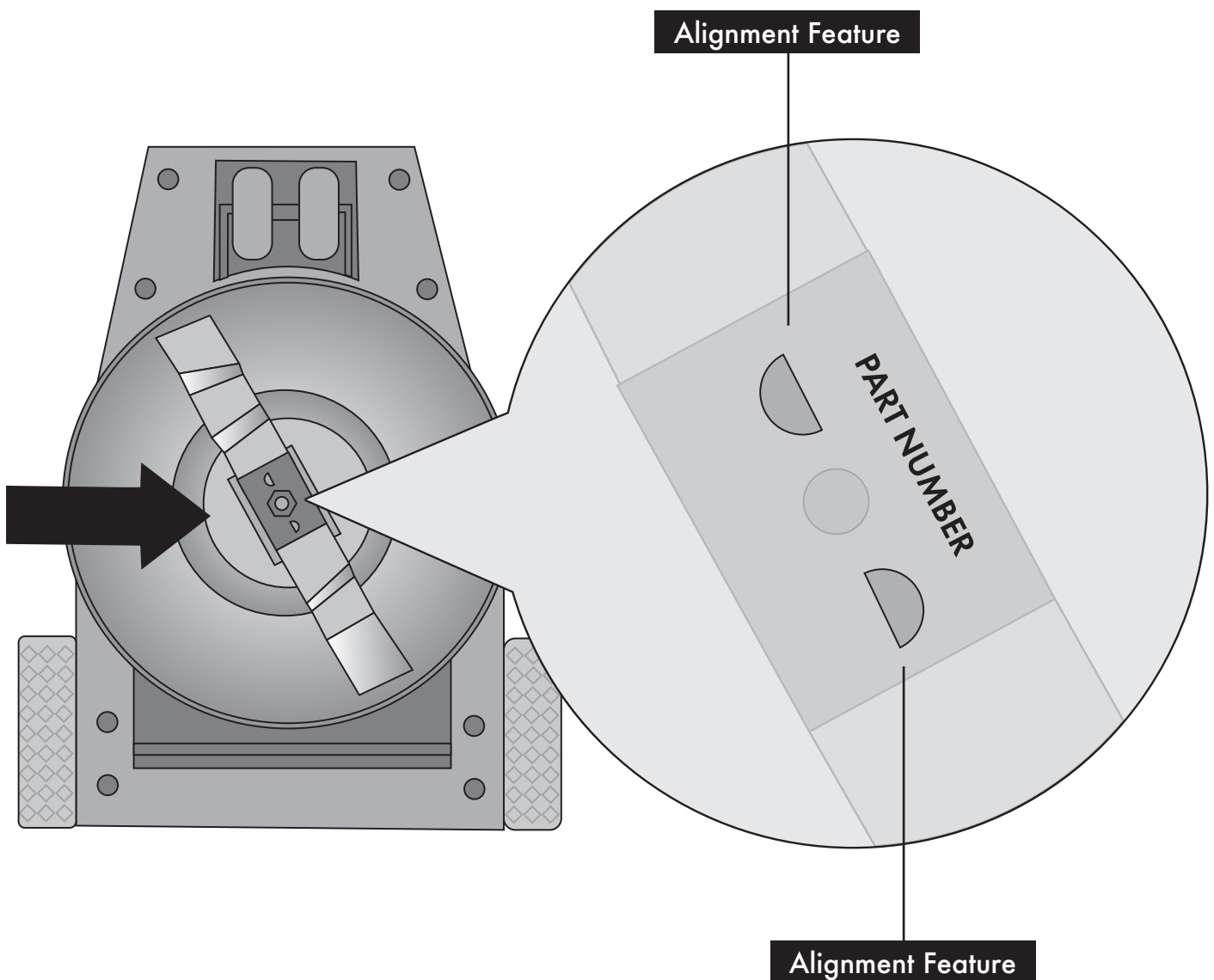


Replacing the Blade

3

Install the new blade:

- Place the new blade on the base
- Make sure the blade's part number faces outward
- Line up the flat sides of the mounting hole with the positioning column
- The base has alignment features to ensure correct installation

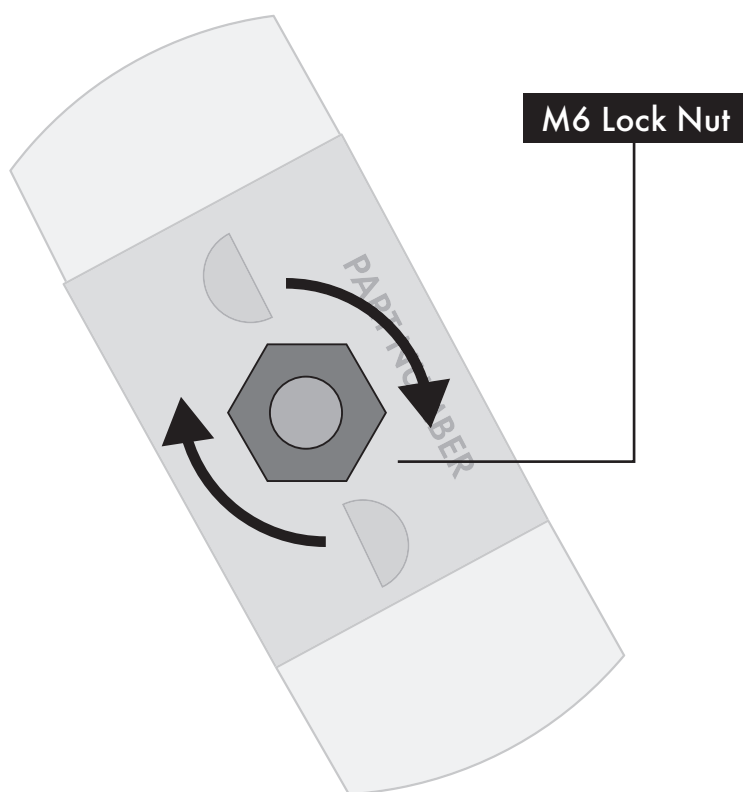


Replacing the Blade

4

Secure the new blade:

- Use a 10mm sleeve to tighten the M6 lock nut firmly
- Check that the blade is secure before use



Information

Safety Instructions

This is a mini lawn mower. Only intended for the use on small gardens. Not for use on long grass. No load run time is 45minutes with 20-30 minuted working time based on height and thickness of grass

Intended Use: For mowing dry, level private lawns only. Not suitable for commercial use or for cutting hedges or shrubs.

General Safety:

- Remove all objects from the mowing area including stones, toys, sticks, wires, and mounds of earth.
- Operate only in good visibility and avoid using during lightning.
- Keep others, especially children, away from the mowing area.

Personal Safety:

- Ensure all safety devices function properly.
- Do not operate under the influence of substances that impair judgment.

Operation Guidelines

Initial Setup:

- Check all parts upon delivery.
- Assemble the handlebar securely and adjust for comfort.

Battery Handling:

- Use only manufacturer-approved batteries and chargers.
- Charge batteries in safe conditions, avoiding high temperatures or short circuits.

Starting the Mower:

- Insert the safety key (NEXT TO THE BATTERY) and press the start button while holding the safety bar.
- The mower will stop when the safety bar is released.

Maintenance

Cleaning:

- Always remove the battery before cleaning.
- Use a hand broom to clear clippings; avoid aggressive cleaning agents.

Regular Checks:

- Inspect the blades for damage or wear after each use.
- Ensure the mower is clean and dry before storage to prevent mold.

Troubleshooting

Common issues include the motor not starting due to battery issues, security key not inserted, or the handlebar being out of the safe range. Solutions typically involve checking the battery charge, inserting the safety key, or adjusting the handlebar position.

Need New Batteries?

We also offer spare batteries (3519012), chargers (3519015) and blades (3519017) for this product.

Legal

DISPOSAL INFORMATION

Dispose of old devices and batteries in accordance with local regulations to ensure proper recycling and environmental protection.

Please recycle where facilities exist. Check with your local authority for recycling advice.

CUSTOMER SERVICE

If you are having difficulty using this product and require support, please contact support@vonhaus.com

WARRANTY

To register your product and find out if you qualify for a free extended warranty please go to www.vonhaus.com/warranty.

Please retain a proof of purchase receipt or statement as proof of the purchase date.

The warranty only applies if the product is used solely in the manner indicated in the warnings page of this manual, and all other instructions have been followed accurately.

Any abuse of the product or the manner in which it is used will invalidate the warranty.

RETURNS

Returned goods will not be accepted unless re-packaged in its original packaging and accompanied by a relevant and completed returns

form. This does not affect your statutory rights.

No rights are given under this warranty to a person acquiring the appliance second-hand or for commercial or communal use.

COPYRIGHT

All material in this instruction manual are copyrighted by DOMU Brands.

Any unauthorised use may violate worldwide copyright, trademark, and other laws.

THANK YOU

Thank you for purchasing your product/appliance.

Should you require assistance with your purchase, please contact us at support@domu.co.uk

VonHaus is a registered trademark of DOMU Brands Ltd.

Made in China for DOMU Brands.

Unit 30, Stakehill Industrial Estate,
Middleton, Manchester, M24 2RW

AUTHORISED REPRESENTATIVE

Authorised Representative Service
77 Camden Street Lower
Dublin, D02 XE80, Ireland



Product No. 3519002