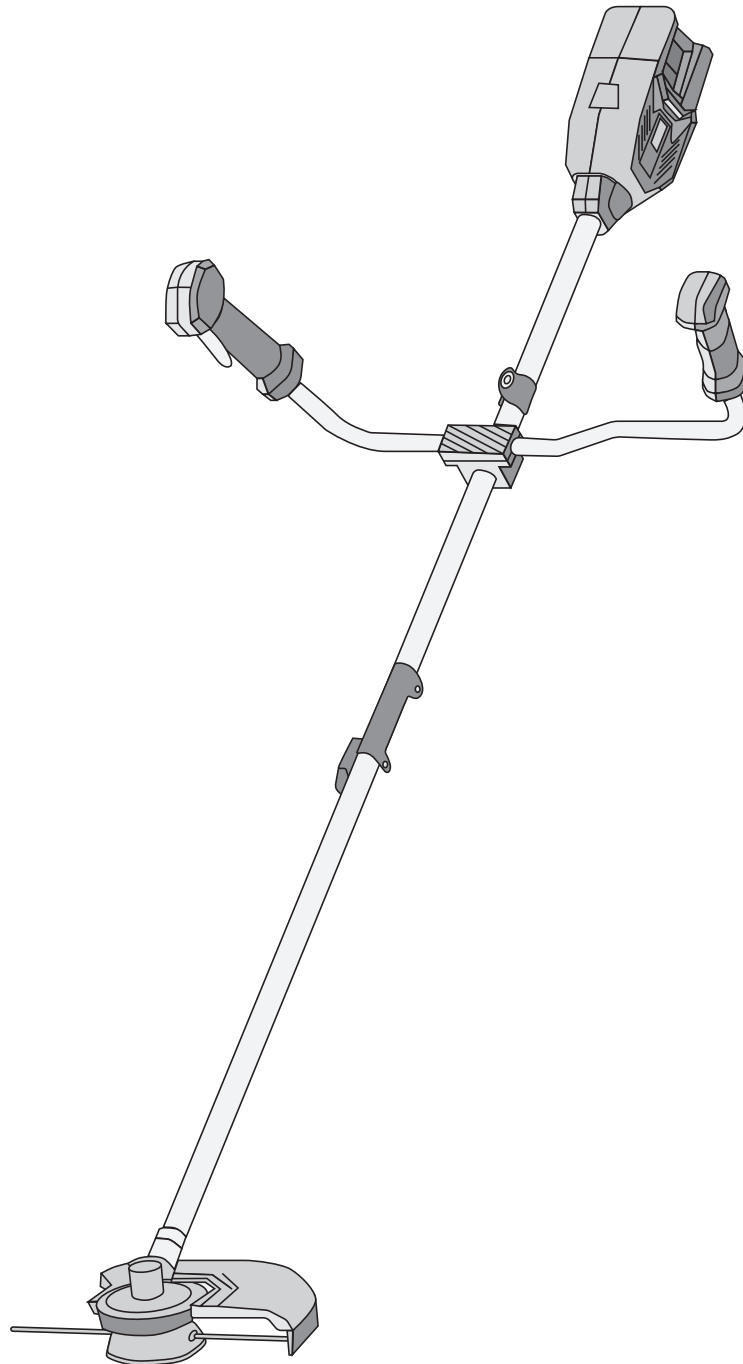


**vonhaus**

# BRUSH CUTTER



## Setup Instructions

Product No. 3519001

**Need further help?**  
[support@vonhaus.com](mailto:support@vonhaus.com)

**Besoin d'aide supplémentaire ?**  
[support@vonhaus.com](mailto:support@vonhaus.com)

**Benötigen Sie weitere Hilfe?**  
[support@vonhaus.com](mailto:support@vonhaus.com)

**Necesita más ayuda?**  
[support@vonhaus.com](mailto:support@vonhaus.com)

**Hai bisogno di ulteriore assistenza?**  
[support@vonhaus.com](mailto:support@vonhaus.com)

**See our full range at**  
[www.vonhaus.com](http://www.vonhaus.com)

**Découvrez notre gamme complète sur**  
[www.vonhaus.com](http://www.vonhaus.com)

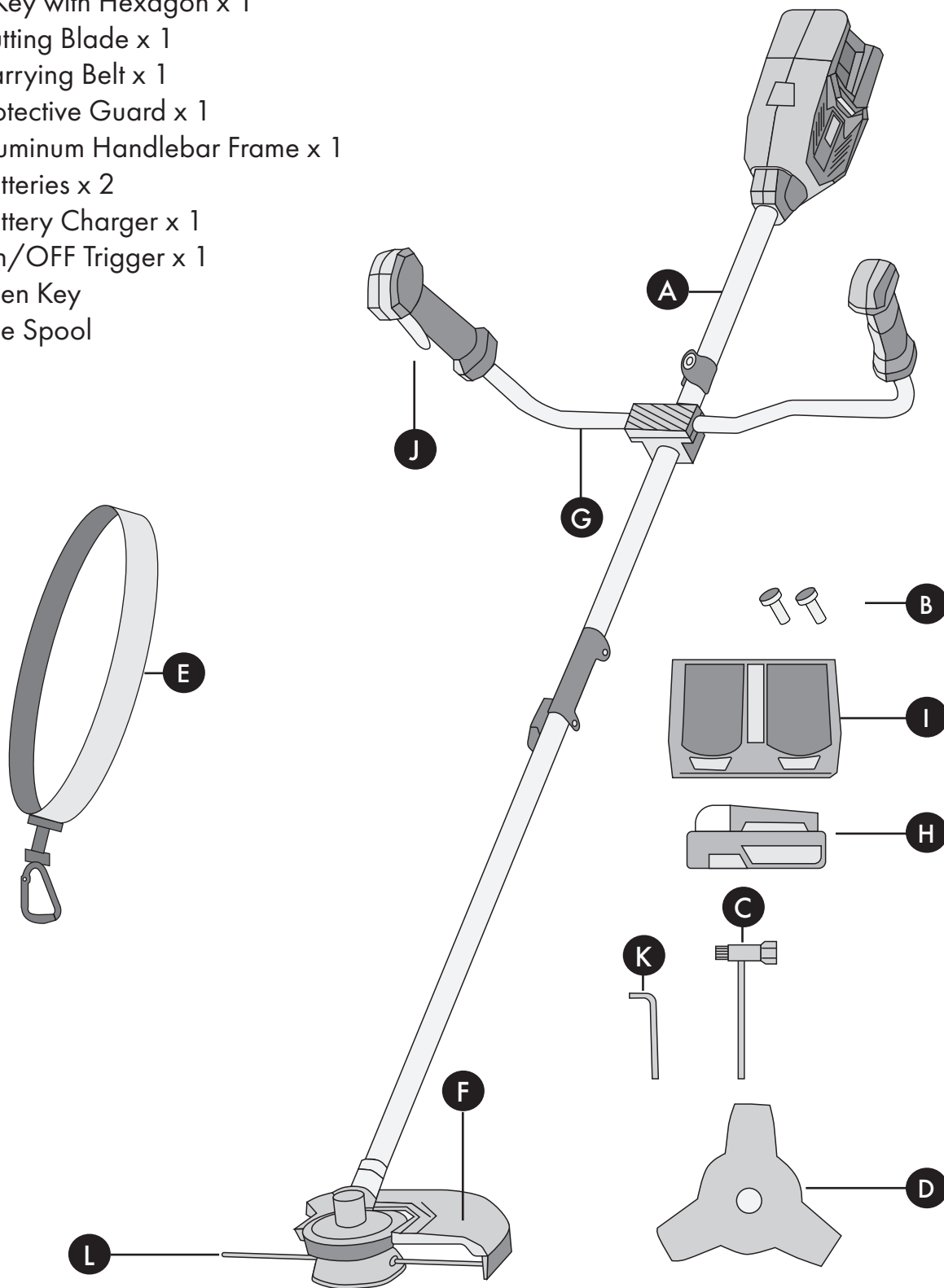
**Entdecken Sie unser gesamtes  
Sortiment auf**  
[www.vonhaus.com](http://www.vonhaus.com)

**Descubra toda nuestra gama en**  
[www.vonhaus.com](http://www.vonhaus.com)

**Scopri tutta la nostra gamma su**  
[www.vonhaus.com](http://www.vonhaus.com)

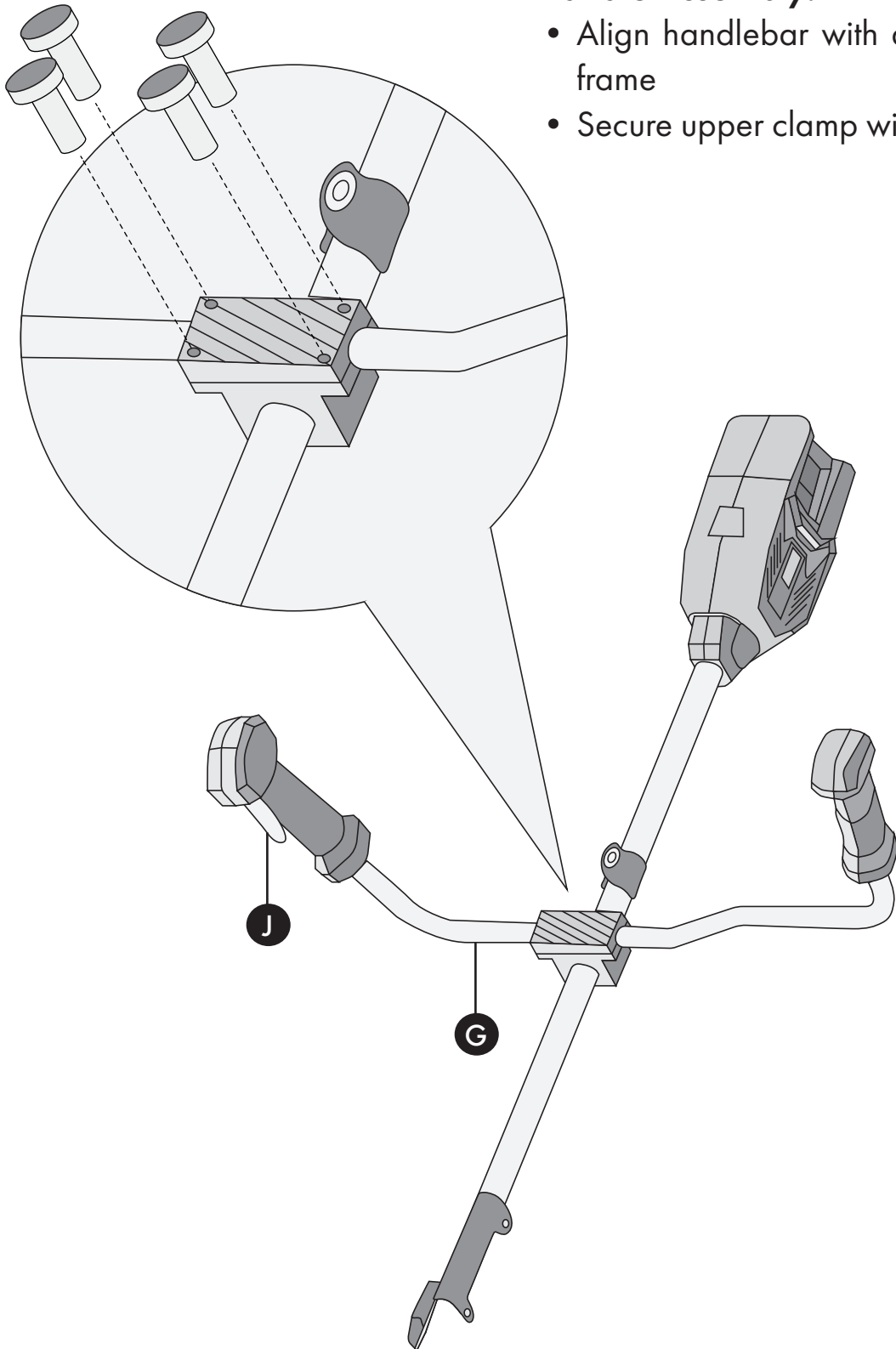
# Parts & Components

- A. Cordless Brushcutter
- B. Mounting Screws x 2
- C. T-Key with Hexagon x 1
- D. Cutting Blade x 1
- E. Carrying Belt x 1
- F. Protective Guard x 1
- G. Aluminum Handlebar Frame x 1
- H. Batteries x 2
- I. Battery Charger x 1
- J. On/OFF Trigger x 1
- K. Allen Key
- L. Line Spool



# Assembly

1



## Handle Assembly:

- Align handlebar with aluminum frame
- Secure upper clamp with 4 bolts

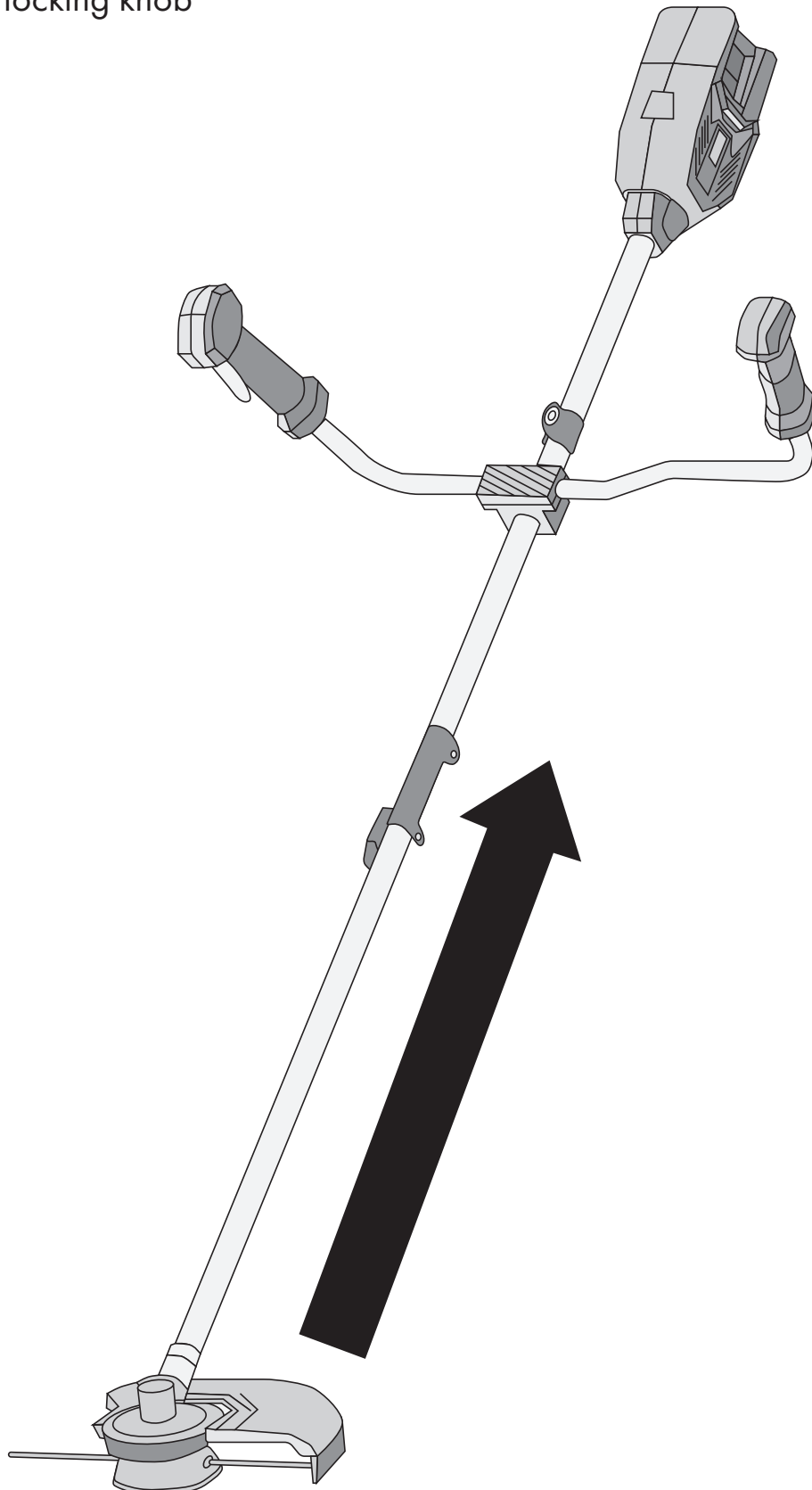
# Assembly

---

**2**

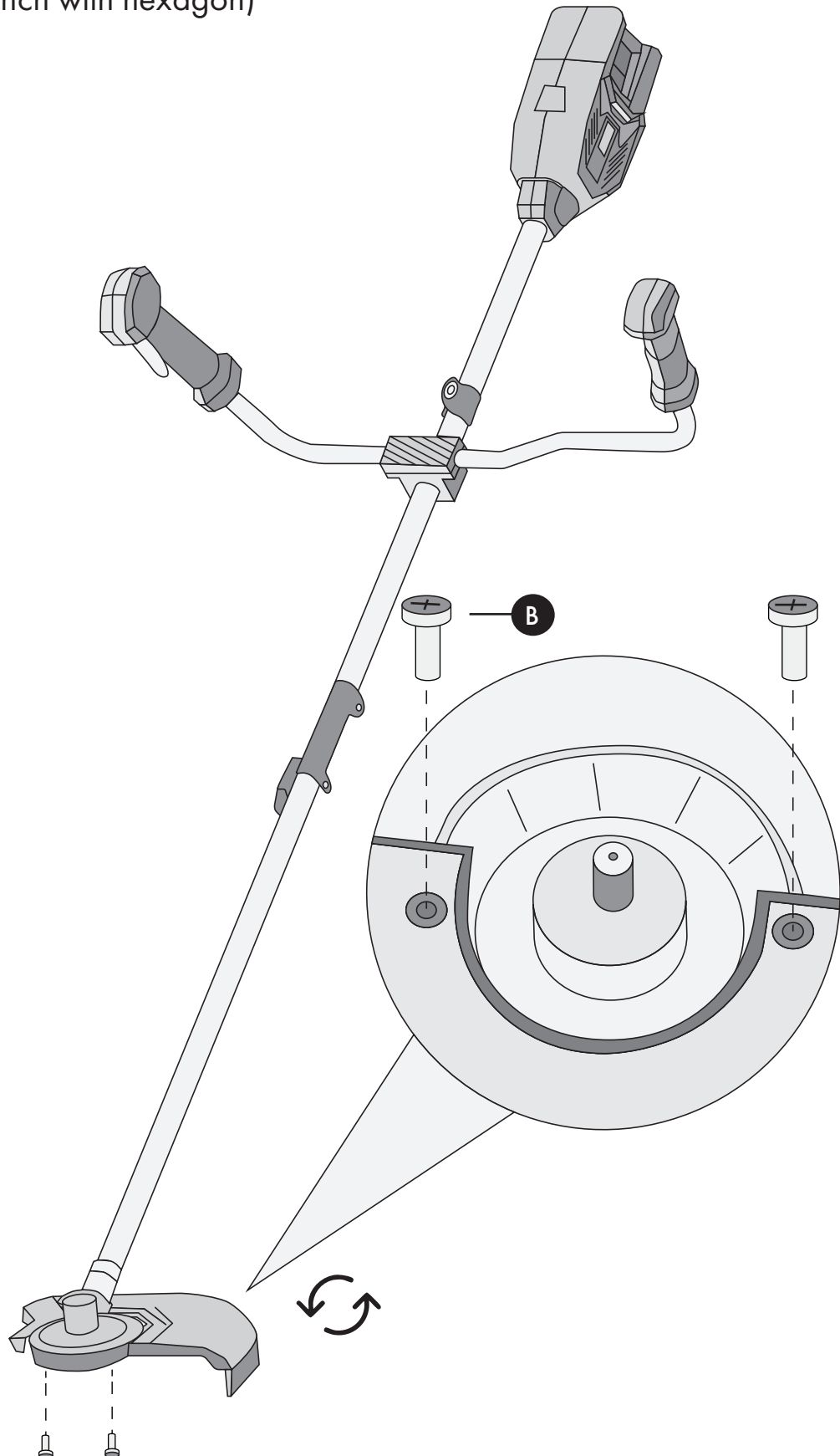
## Shaft Tube Installation:

- Insert aluminum tube into hole
- Tighten locking knob



# Assembly

- 3** Attach the protective cover to the motor housing with **two** screws using the hexagon wrench (the T-wrench with hexagon)



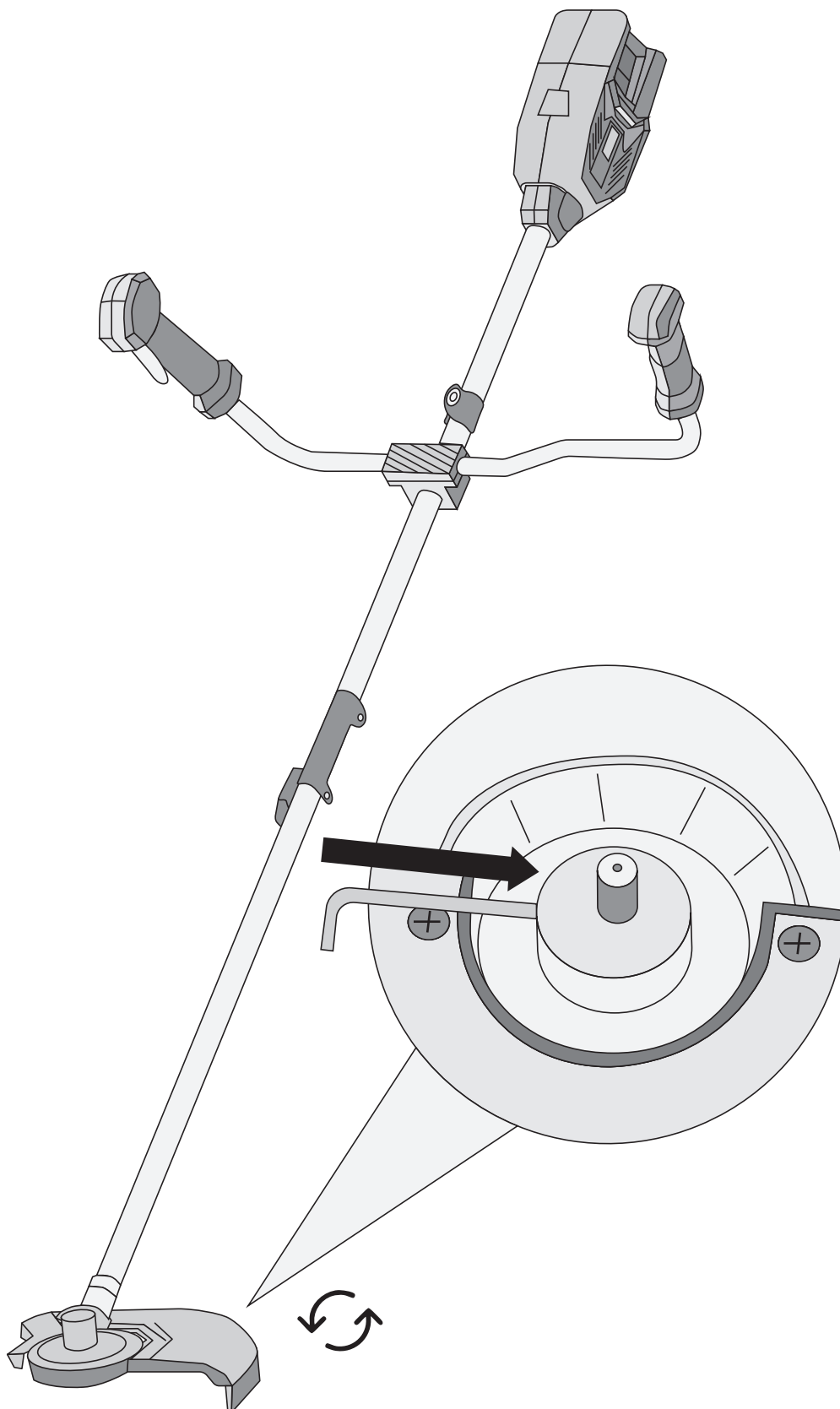
# Assembly

4

## Spindle lock:

In order to mount a reel / knife, the spindle must always be locked.

To lock the spindle, press the spindle locking pin and keep it pressed while tightening or loosening.



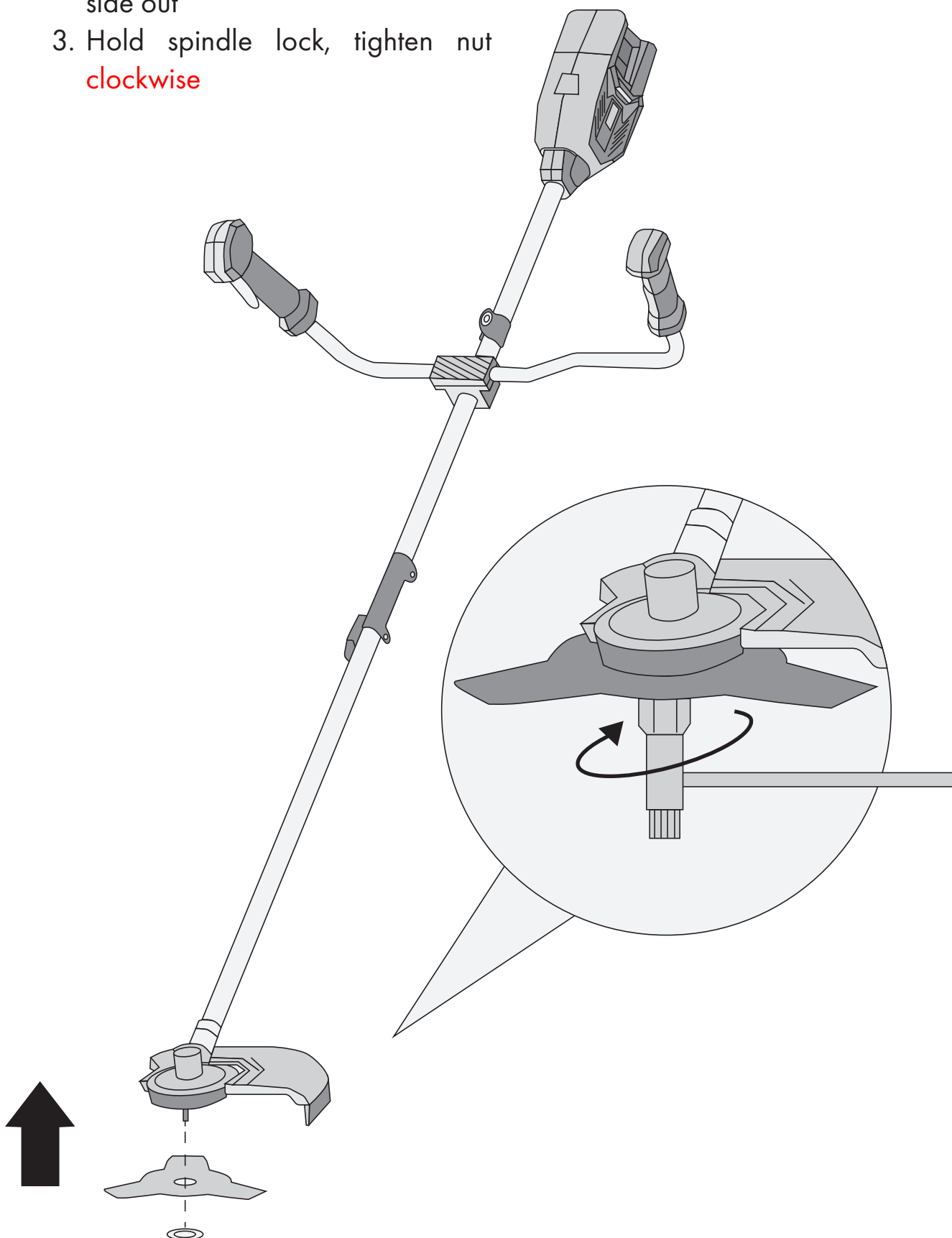
# Assembly

5

## Mount the mower blade

1. Put blade onto lower blade holder
2. Add upper blade holder, convex side out
3. Hold spindle lock, tighten nut **clockwise**

**Safety:** Wear gloves, keep blade clean, use blade cover when not in use.





# Assembly

---

6

## Attach the strap

- Connect the strap to the mount on top of the main unit
- Place the strap over your RIGHT shoulder only
- Keep the motor unit on your right side

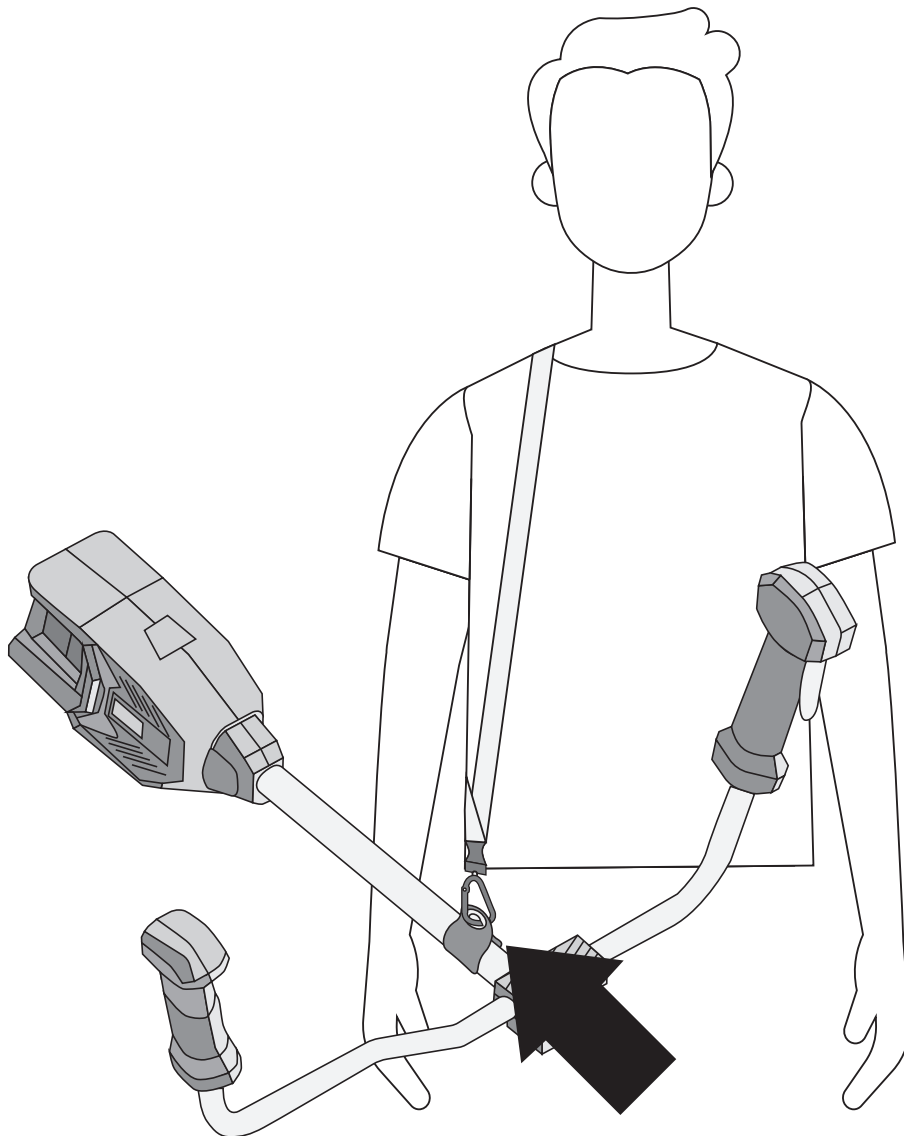
## Adjust for comfort

- Adjust strap length until comfortable
- Practice swinging without starting the motor
- Find your balance point

## SAFETY WARNING:

- Never wear the strap diagonally across chest
- Keep it on one shoulder only
- This allows quick removal in emergencies

**TIP:** Before starting work, do a few practice movements to ensure everything feels balanced and secure.



# Information

---

## General Safety

This 2-in-1 cordless brush cutter functions as both a grass trimmer and a brush cutter. It can trim grass edges after mowing or cut tall grass and bushes. Simply switch between the 4m double line spool and the 3-tooth blade.

As a grass trimmer, it has a 340mm cutting circle, and as a brush cutter, a 255mm cutting circle. The 36V batteries allow unrestricted use without a power cord.

## Intended Use

This 2-in-1 cordless brush cutter is designed for private, non-commercial use. It serves two functions:

- Mowing lawns, weeds, and long grass
- Trimming shrubs and bushes

## Important Notes:

- Adult use only
- Any other use is considered improper
- Manufacturer accepts no liability for improper use

## Safety Instructions

**WARNING:** Read all safety instructions. Failure to follow instructions may result in electric shock, fire, or serious injury.

## Workspace Safety

- Keep area clean and well-lit
- Avoid explosive environments
- Keep children away

## Electrical Safety

- Use proper plugs and outlets
- Avoid wet conditions
- Use appropriate extension cords
- Install residual current circuit breaker in damp conditions

## Personal Safety

- Stay alert while operating
- Use protective equipment
- Prevent accidental starts
- Maintain proper posture
- Wear appropriate clothing

## Tool Use and Care

- Don't overload the device
- Maintain tools properly
- Keep cutting tools sharp
- Use appropriate accessories
- Store safely away from children

## Battery Care

- Use only recommended chargers
- Keep battery away from metal objects
- Avoid contact with battery fluid
- Service only by qualified professionals
- Keep all safety information for future reference.
- Ensure tool is off before inserting battery
- Charge batteries indoors only
- Allow hot batteries to cool before charging
- Operating temperature: 4° to 40°C
- Storage temperature: 0° to 50°C
- Remove battery before storing

# Information

---

## Brush Cutter Safety

When operating in brush cutter mode:

- Always wear heavy gloves when handling blades
- Never touch rotating blades
- Keep both hands on handles until blade stops completely
- Check blades before each use; replace if damaged
- Use only manufacturer-approved blades
- Cut from right to left for better control
- Always use both hands to operate
- If you hit an obstacle, this technique helps minimize blade kickback

CAUTION: Moving blades can cause serious injury.

## Cleaning Instructions

When operating in brush cutter mode:

- Keep ventilation slots dust-free to prevent motor overheating  
Clean the housing with a soft cloth after each use if possible
- For stubborn dirt, use a soft cloth dampened with soapy water
- Keep device and charger connections clean

CAUTION: Never use solvents like gasoline, alcohol, or ammonia water as they can damage plastic parts.

## Technical Specifications

Nominal Voltage: 36V DC (2 x 18V DC)

Rotation Speed (First Gear): 6000 RPM

Grass Trimmer (Wire Spool): 340mm

Brush Cutter (Blade): 255mm

# Usage & Safety

---



Sharp edges



Protect your ears



Protect your eyes



Protect your hands



Wear suitable footwear



Protective clothing  
must be worn



Beware of  
kickback



Potential finger  
trap points



Maintain a safe distance  
from bystanders



Do not use in  
wet conditions

# Legal

---

## DISPOSAL INFORMATION

Please recycle where facilities exist. Check with your local authority for recycling advice.

## CUSTOMER SERVICE

If you are having difficulty using this product and require support, please contact [support@vonhaus.com](mailto:support@vonhaus.com)

## WARRANTY

To register your product and find out if you qualify for a free extended warranty please go to [www.vonhaus.com/warranty](http://www.vonhaus.com/warranty).

Please retain a proof of purchase receipt or statement as proof of the purchase date.

The warranty only applies if the product is used solely in the manner indicated in the warnings page of this manual, and all other instructions have been followed accurately.

Any abuse of the product or the manner in which it is used will invalidate the warranty.

## RETURNS

Returned goods will not be accepted unless re-packaged in its original packaging and accompanied by a relevant and completed returns form. This does not affect your statutory rights.

No rights are given under this warranty to a person acquiring the appliance second-hand or for commercial or communal use.

## COPYRIGHT

All material in this instruction manual are copyrighted by DOMU Brands.

Any unauthorised use may violate worldwide copyright, trademark, and other laws.

## THANK YOU

Thank you for purchasing your product/appliance.

Should you require assistance with your purchase, please contact us at [support@domu.co.uk](mailto:support@domu.co.uk)

VonHaus is a registered trademark of DOMU Brands Ltd.

Made in China for DOMU Brands.

Unit 30, Stakehill Industrial Estate,  
Middleton, Manchester, M24 2RW

## AUTHORISED REPRESENTATIVE

Authorised Representative Service  
77 Camden Street Lower  
Dublin, D02 XE80, Ireland



Product No. 3519001