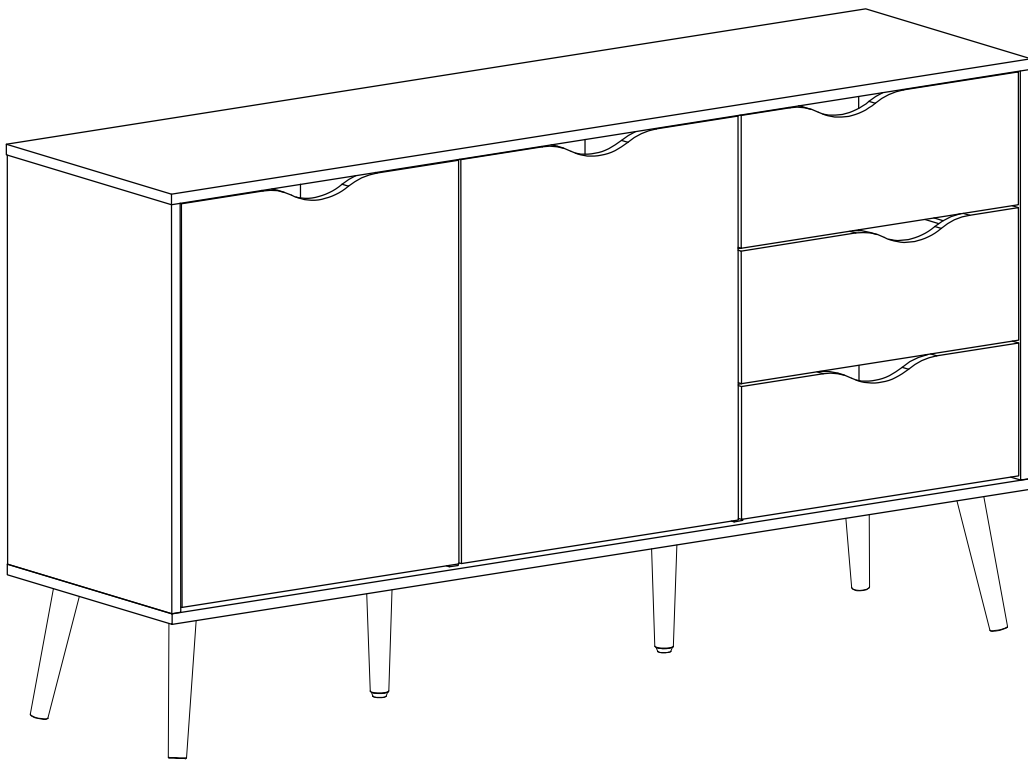


# KOTO 3 DRAWER 2 DOOR LARGE SIDEBOARD

3000085 / 3000086 - Instruction Manual



# CONTENTS

---

Safety Instructions, Safety Symbols	<b>1</b>
Components, Hardware	<b>2</b>
Assembly	<b>3</b>
Assembly	<b>4</b>
Assembly	<b>5</b>
Assembly	<b>6</b>
Assembly	<b>7</b>
Assembly	<b>8</b>
Assembly	<b>9</b>
Wall Fixing Types	<b>10</b>
Warranty	<b>11</b>

# **WARNING**

Please read and understand these Safety Warnings, Safety Symbols and Instructions carefully and retain for future use

## **INTENDED USE.**

The VonHaus<sup>®</sup> this product is intended for use in private households. It is not intended for use in commercial or industrial environments and is not suitable for use outdoors.

This product is not intended for use in damp or humid environments.

This product is not a toy. Children should be supervised at all times to ensure they do not play with this product.

The fixings contain small parts which pose a choking hazard to children and animals. Keep out of reach.

Before assembly, unpack carefully and check that all components are included. Read this Manual carefully and count all fixings before proceeding.

It is recommended that this product is assembled and housed on a level and dry surface.

## **WEIGHT LIMIT**

Do not exceed 53.5kg / 8.42481st.

## **ASSEMBLY PRECAUTIONS.**

**IMPORTANT:** Allow adequate working space.

Ensure there is sufficient lighting.

Wear suitable protective clothing. Protective gloves and footwear are recommended.

Assemble and locate for use on a suitable level floor surface.

Assemble this product as close to its final position (in the same room, if possible).

Do not drag this product into position.

Always carefully lift into position.

Assemble with care, particularly when lifting or stretching, and when using tools.

Dispose of packaging materials responsibly.

## **RISK OF PERSONAL INJURY.**

**IMPORTANT:** This product should only be used on firm level ground.

**IMPORTANT:** Ensure the Legs/Base remain in contact with the ground at all times.

**WARNING:** Do not stand on this product.

## **SAFETY SYMBOLS**

PLEASE READ THESE INSTRUCTIONS CAREFULLY AND KEEP FOR FUTURE REFERENCE



### **WARNING!**

Pay attention to all safety and guidance



### **IMPORTANT**

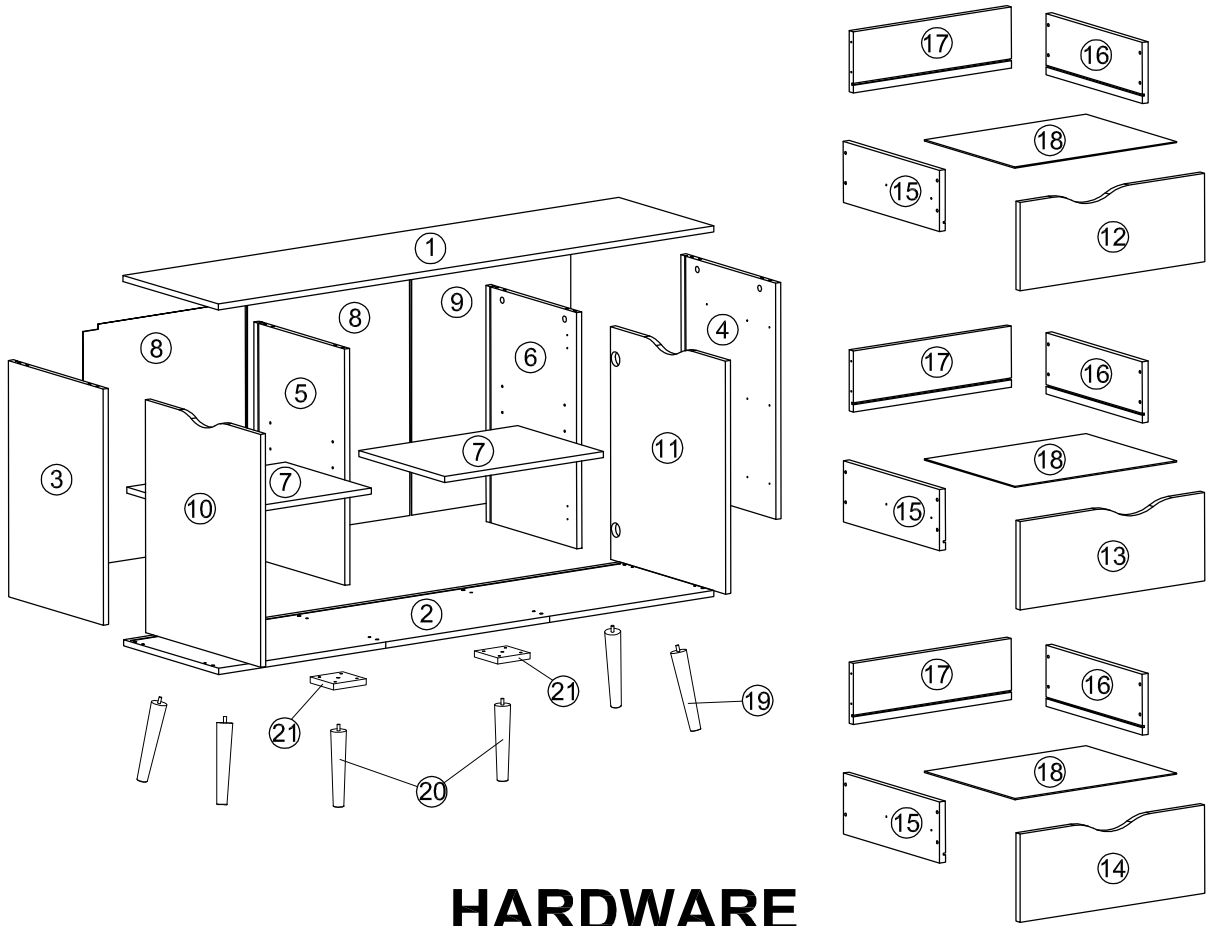
Read manual before use




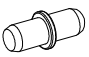









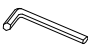

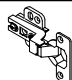
### **INTENDED PURPOSE**

Do not use for anything other than for what is intended

# COMPONENTS

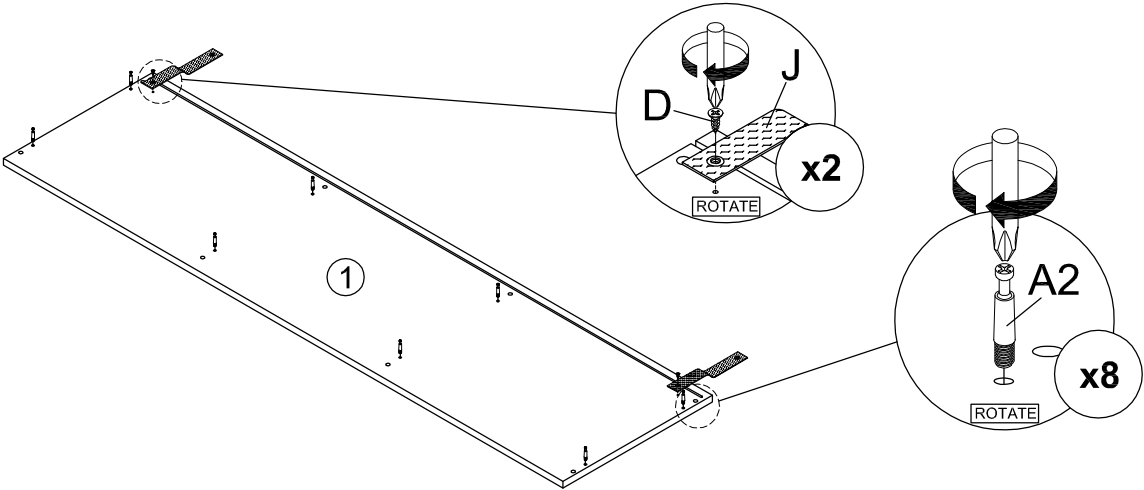


# HARDWARE

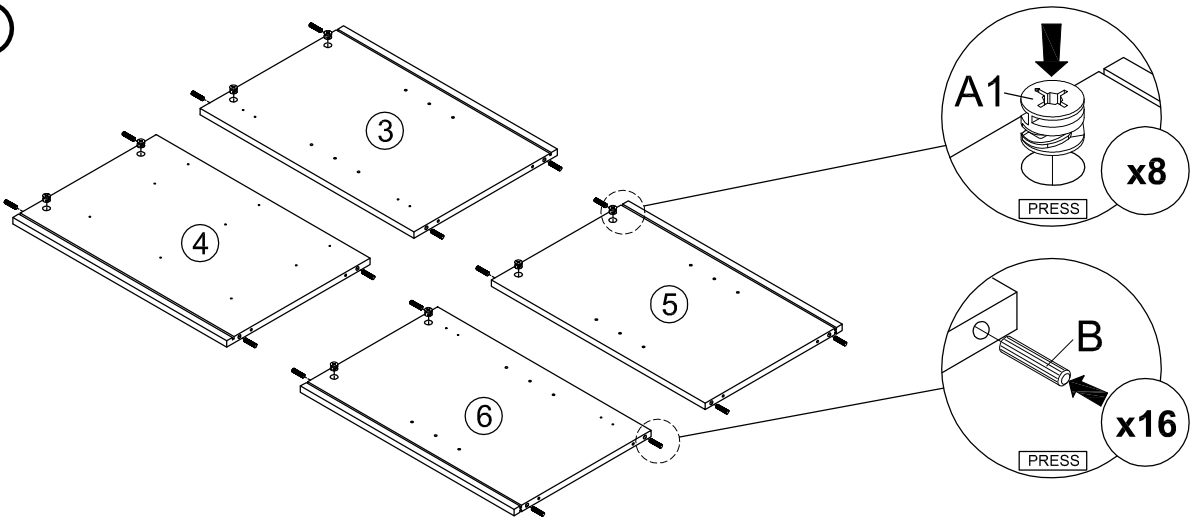
<b>A. MINIFIX</b> 8 pieces 	<b>H. METAL SHELF SUPPORT</b> 8 pieces 
<b>B. Ø8x30mm WOOD DOWEL</b> 16 pieces 	<b>I. STUD 192 WITH SCREW</b> 8 pieces I1  I2 
<b>C. M6x50mm CSK CAP WOOD SCREW</b> 8 pieces 	<b>J. 8" x 1" PP TRAY</b> 2 pieces 
<b>D. M3.5x16mm C.B SCREW</b> 76 pieces 	<b>K. METAL SUPPORT LEG</b> 4 pieces 
<b>E. M4x38mm C.B SCREW</b> 24 pieces 	<b>L. M4x30mm C.B SCREW</b> 8 pieces 
<b>F. ALLEN KEY M4</b> 1 piece 	<b>M. 12" SOFT CLOSING DRAWER SLIDE</b> 3 sets 
<b>G. SOFT CLOSING 7/8 HINGES</b> 4 pieces 	

# ASSEMBLY

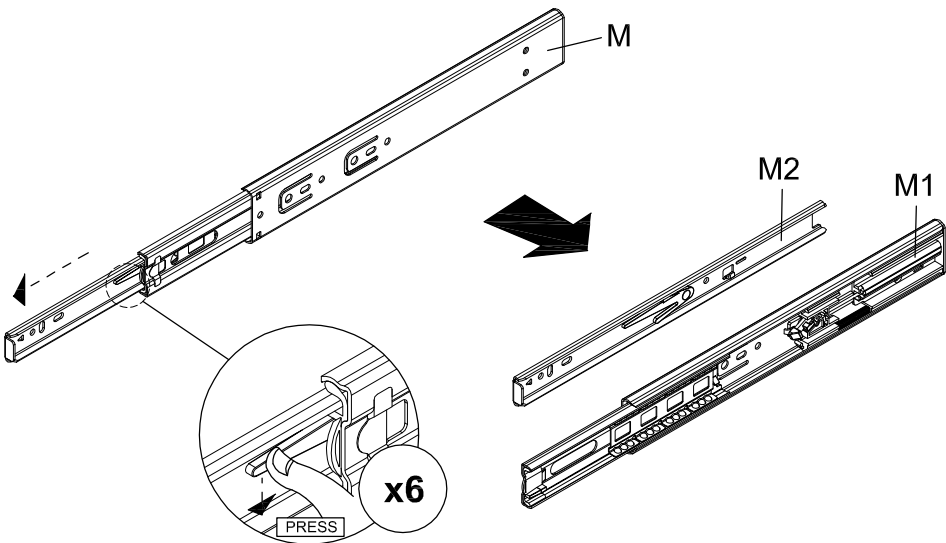
1



2

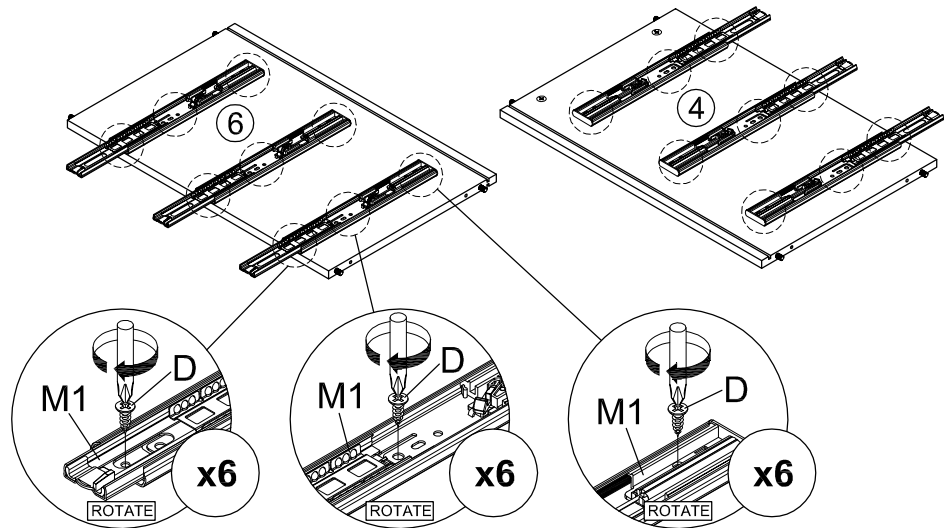


3

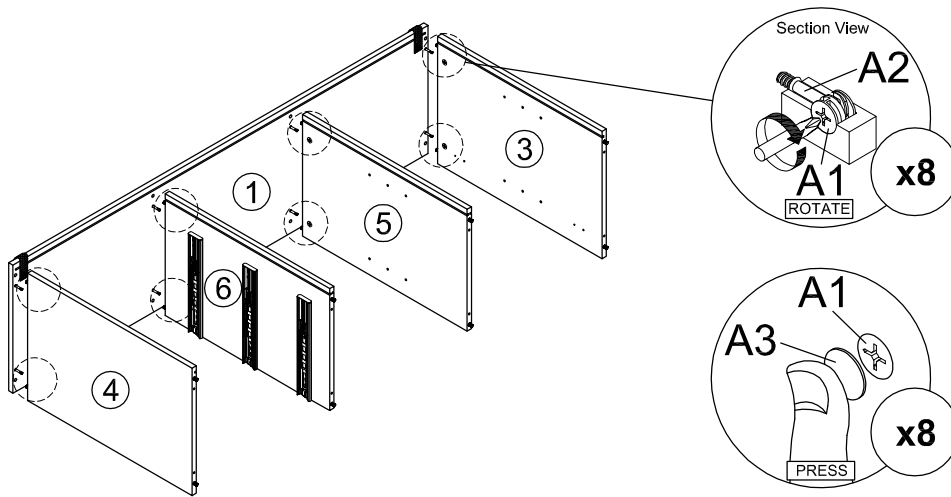


# ASSEMBLY

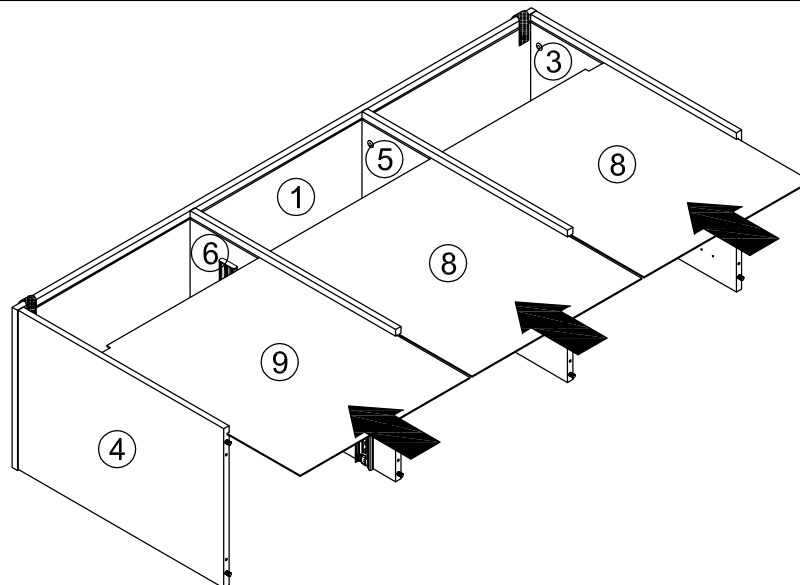
4



5

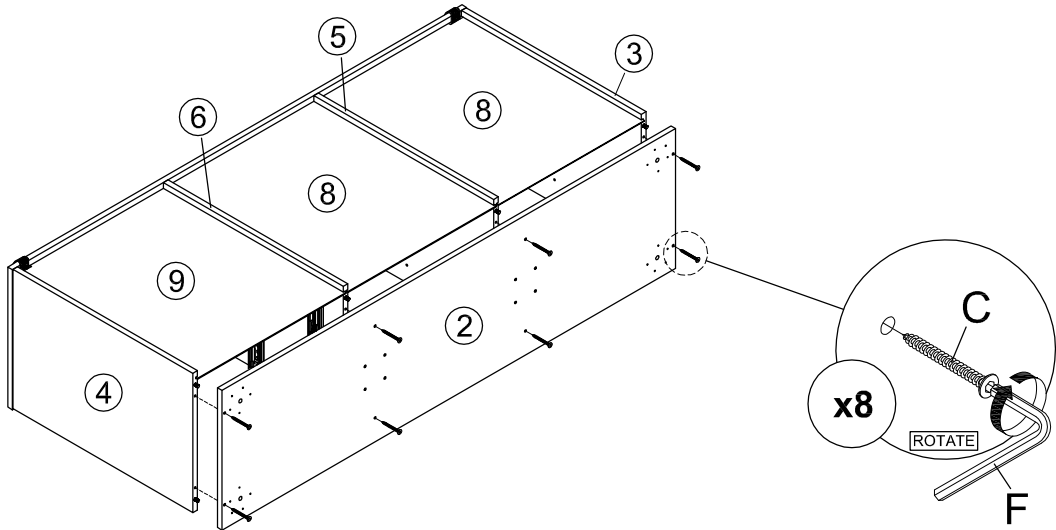


6

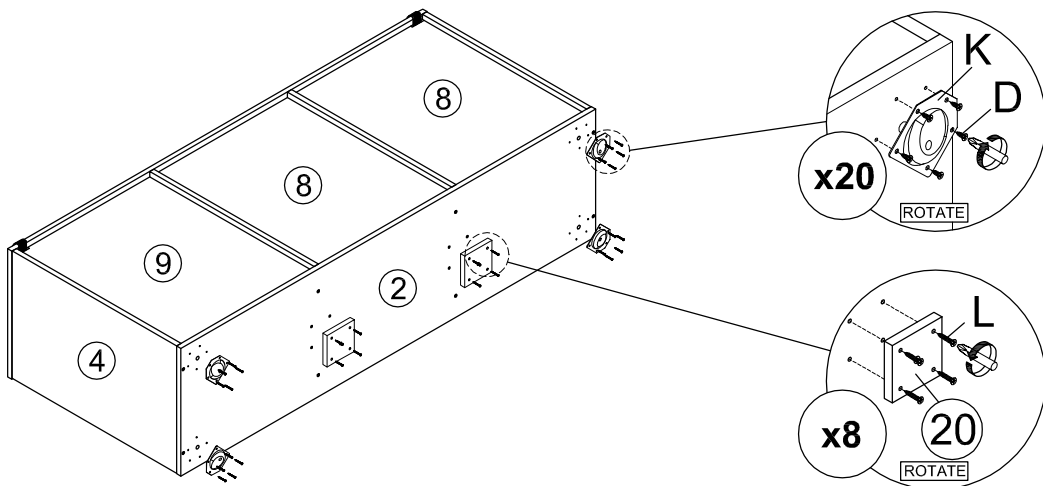


# ASSEMBLY

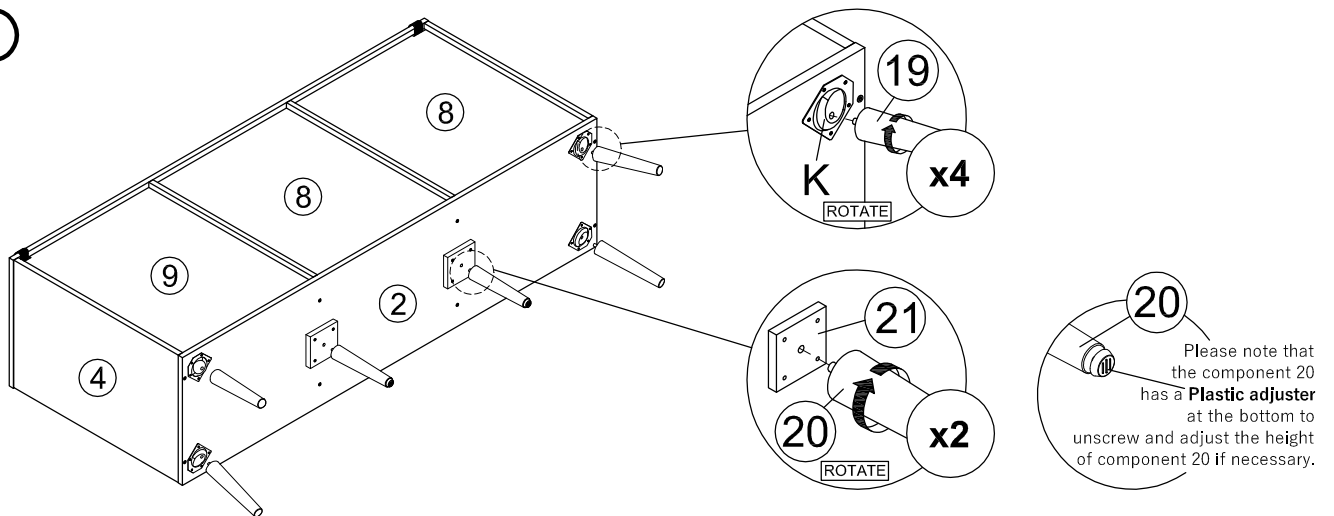
7



8

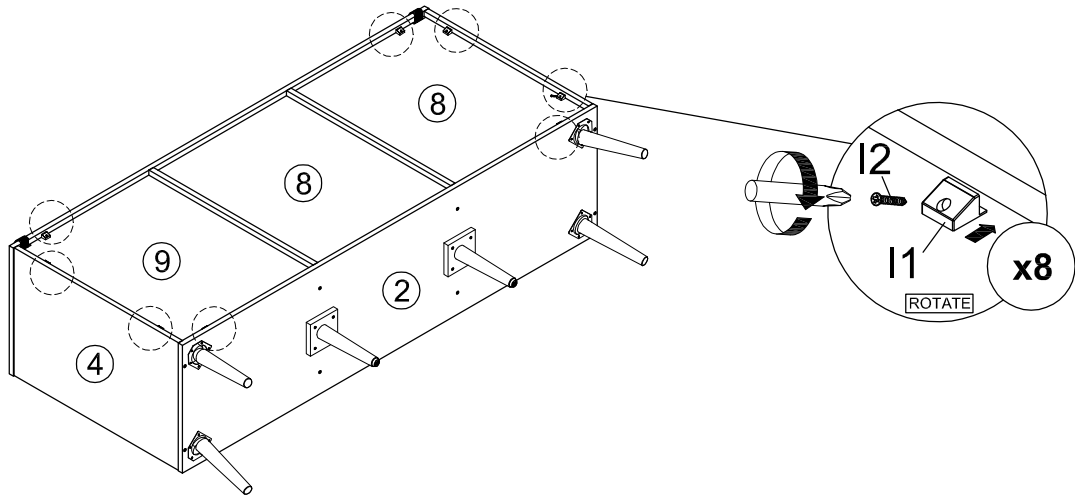


9

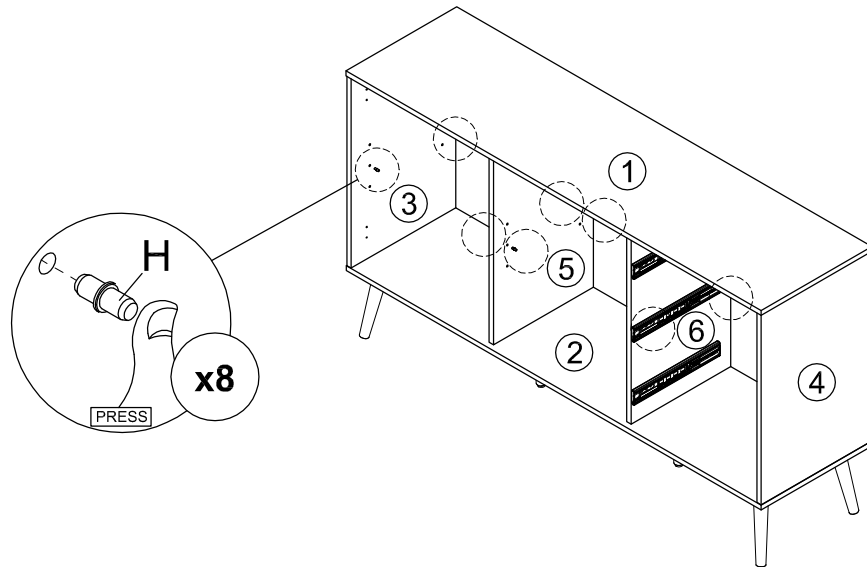


# ASSEMBLY

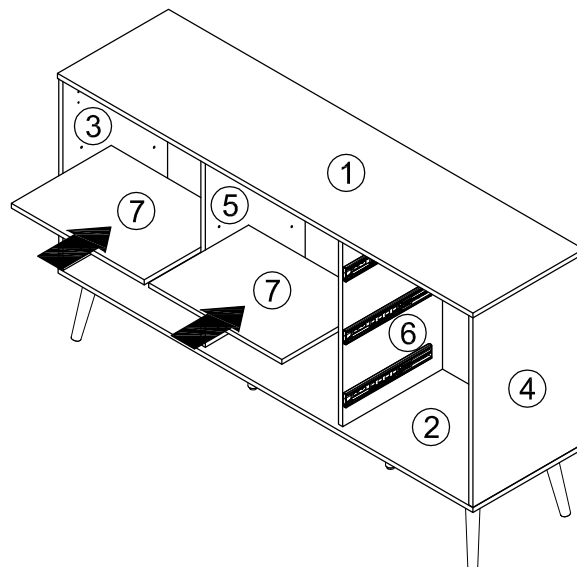
10



11



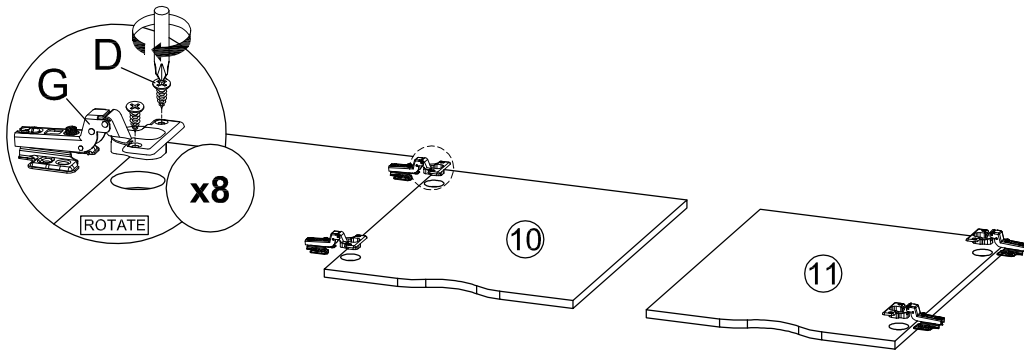
12



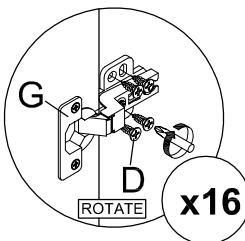
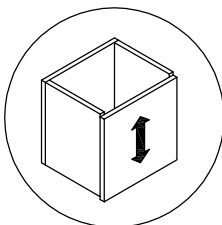
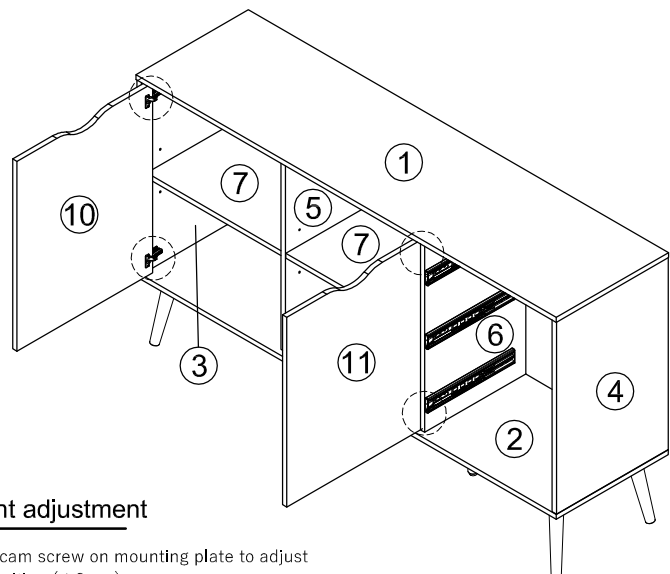


# ASSEMBLY

13

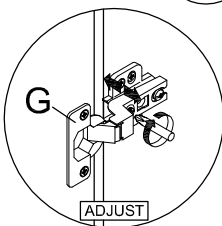
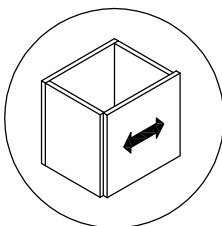


14



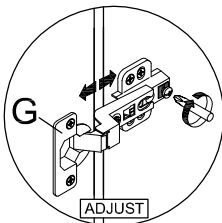
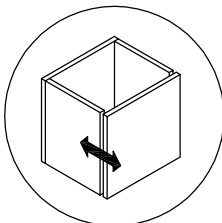
## Height adjustment

Rotate cam screw on mounting plate to adjust door position ( $\pm 2\text{mm}$ ).  
On non-cam mounting plates, loosen screws, adjust door and re-tighten screws.



## Side adjustment

Rotate front screw to increase or decrease door overlay  $\pm 2\text{mm}$ .

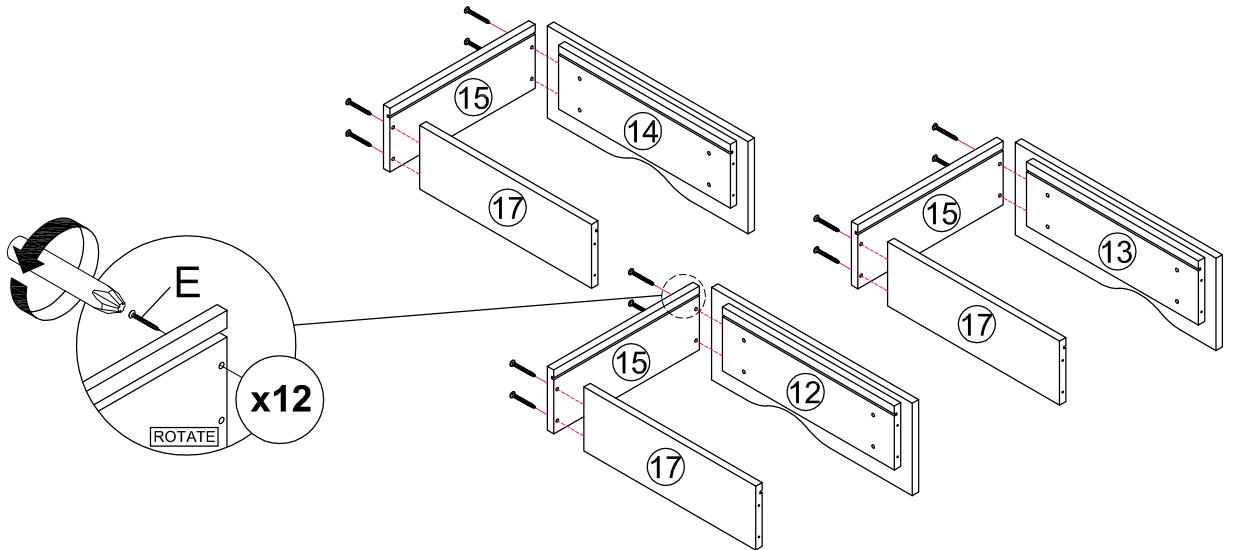


## Depth adjustment

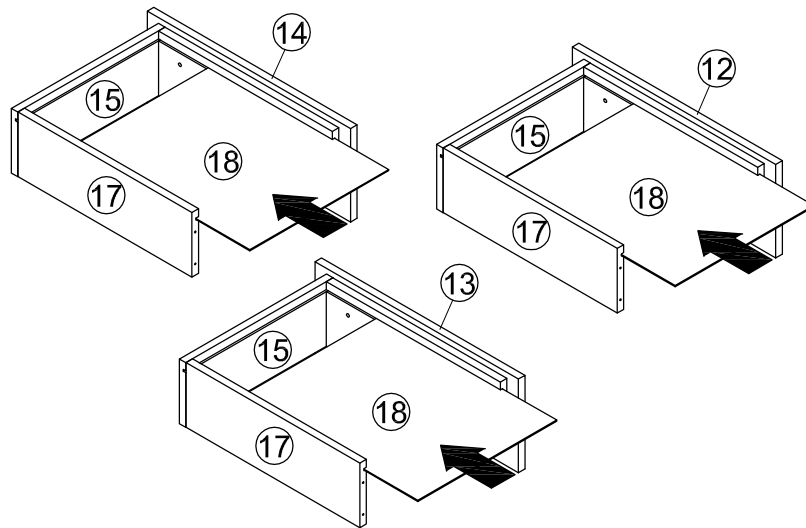
Rotate rear spiral Tech cam screw to adjust door position (+3mm, -2mm).  
For CLIP hinges, loosen rear screws, adjust door and re-tighten screws.

# ASSEMBLY

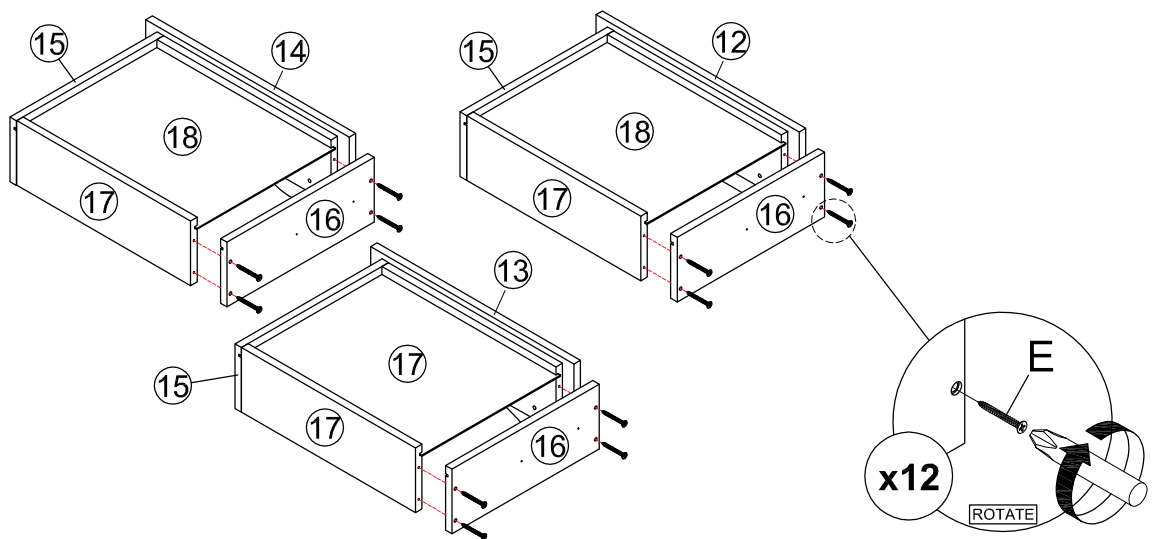
15



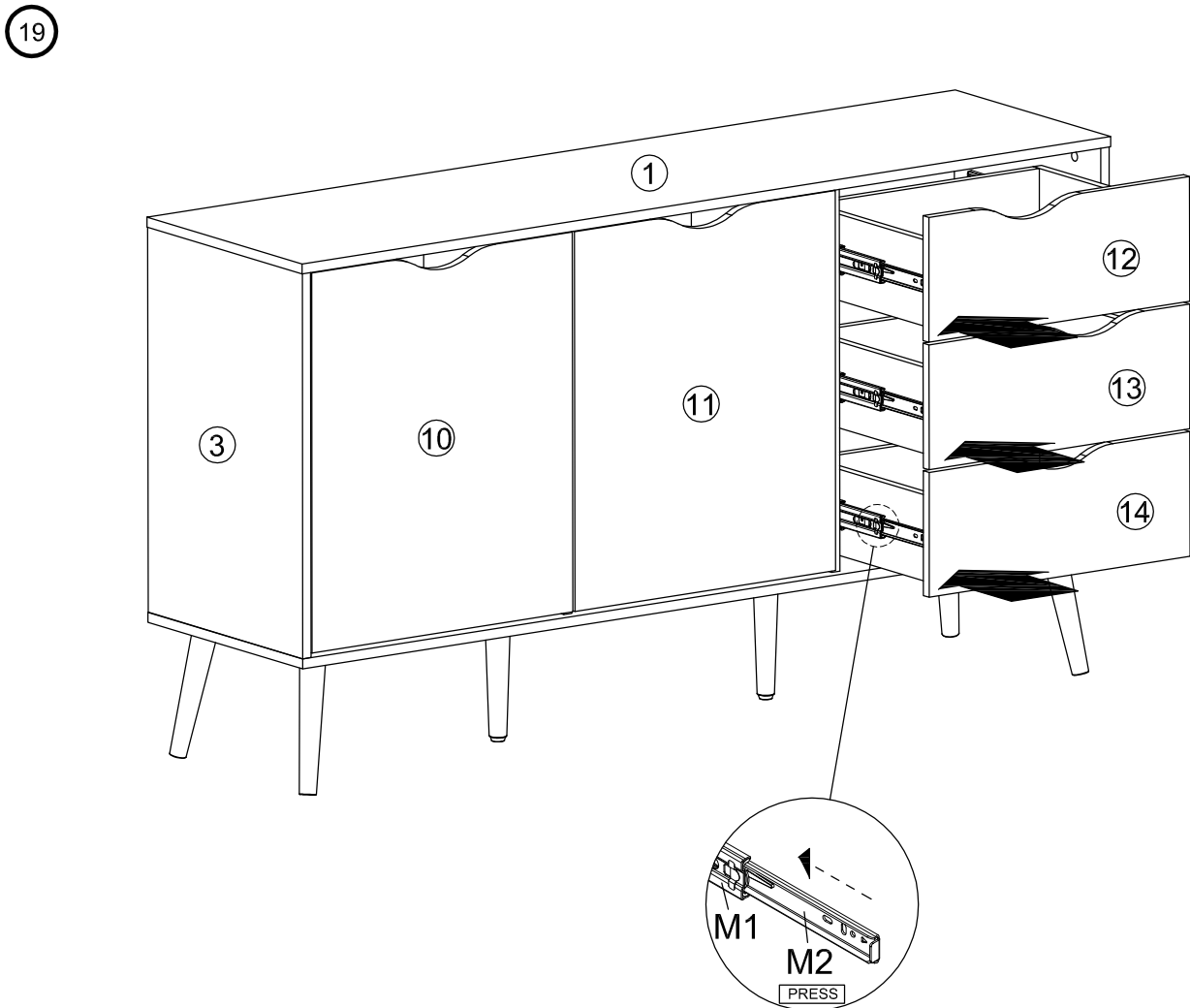
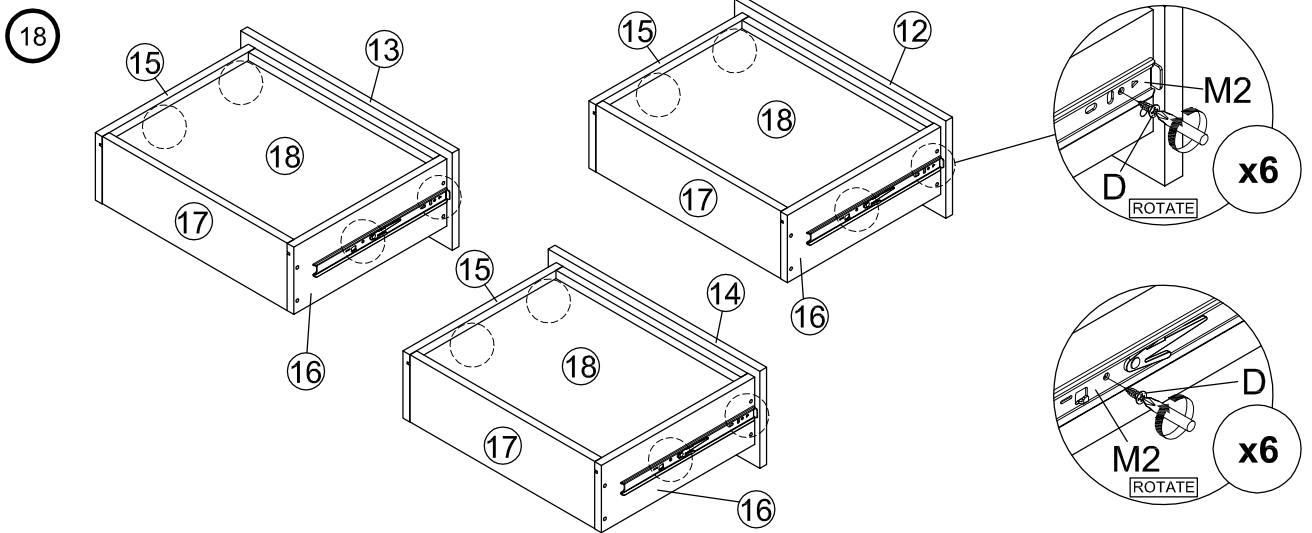
16



17



# ASSEMBLY

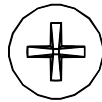
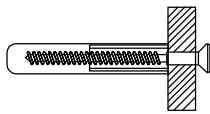


# WALL FIXING TYPES

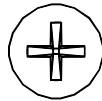
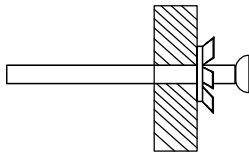
**IMPORTANT:** When drilling into walls always check that there are no hidden wires or pipes etc. Ensure that the screws and wall plugs being used are suitable for supporting the unit to be installed. If you are unsure it is recommended you contact a suitable qualified trades person.

## TIPS.

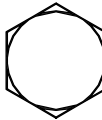
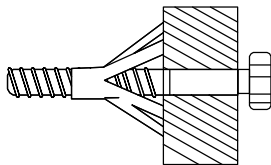
- General Rule: Always use a larger screw and wall plug if you are unsure.
- Ensure you use a recommended drill bit to match the wall plug and hole size.
- Ensure you drill the hole horizontally, do not force the drill or enlarge the hole.
- Take extra care when drilling high walls, ceilings and ceramic tiles, ensure the wall plug is fitted below the ceramic tile to avoid splitting or cracking.
- Ensure the wall plugs are well fitted and are a secure fit to the drilled hole.



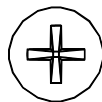
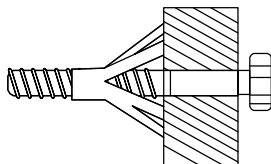
**Standard Wall Plug:** Suitable for use on most types of wall such as brick, breeze block, concrete, stone, wood or plaster.



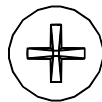
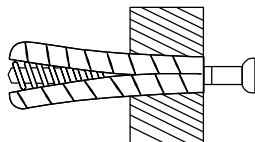
**Hammer Fixing:** For use with wall stuck with plaster board. The Hammer fixing allows it to be fixed to a wall rather than the plaster board.



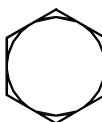
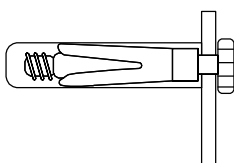
**Cavity Fixing Heavy Duty:** For use when supporting heavy loads for example cabinets and shelving.



**Cavity Fixing:** For use with plaster board partitions or hollow wooden doors.



**Standard Wall Plug:** Suitable for use on most types of wall such as brick, breeze block, concrete, stone, wood or plaster.



**Shield Anchor:** For use with heavier items such as TVs.

# DISPOSAL INFORMATION

---

Please recycle where facilities exist. Check with your local authority for recycling advice.

## WARRANTY

---

To register your product and find out if you qualify for a free extended warranty please go to  
**[www.Vonhaus.com/warranty](http://www.Vonhaus.com/warranty)**.

Please retain a proof of purchase receipt or statement as proof of the purchase date.

The warranty only applies if the product is used solely in the manner indicated in the Warnings page of this manual, and all other instructions have been followed accurately. Any abuse of the product or the manner in which it is used will invalidate the warranty.

Returned goods will not be accepted unless re-packaged in its original packaging and accompanied by a relevant and completed returns form. This does not affect your statutory rights.

No rights are given under this warranty to a person acquiring the appliance second-hand or for commercial or communal use.

## COPYRIGHT

---

All material in this instruction manual are copyrighted by DOMU Brands.  
Any unauthorised use may violate worldwide copyright, trademark, and other laws.

If you are having difficulty using this product and require support, please contact  
**[hello@domu.co.uk](mailto:hello@domu.co.uk)**

Thanks you for purchasing the **KOTO 3 DRAWER 2 DOOR LARGE SIDEBOARD**.

VonHaus® is a registered trademark of DOMU Brands Ltd  
Made in Malaysia for DOMU Brands Ltd M24 2Rw.