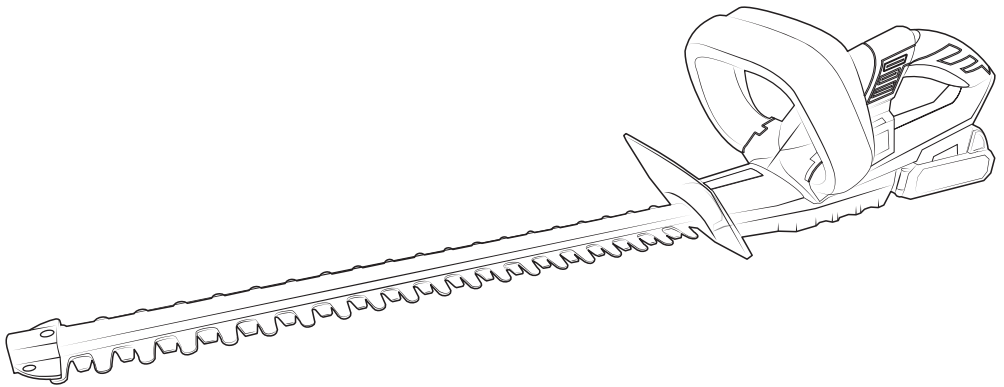


20V MAX HEDGE TRIMMER

2515067 - Instruction Manual



Manufactured and sold
under licence

CONTENTS

Safety Instructions	1
Safety Instructions	2
Safety Instructions	3
Safety Instructions, Safety Symbols	4
Technical Specification	5

Charging the Battery, Important Charging Notes

6

Installing & Removing the Battery, Guard Assembly, Working Position

7

Operation, Cleaning & Maintenance

8

Blade Maintenance, Troubleshooting

9

Warranty

10

WARNING

PLEASE READ THESE INSTRUCTIONS CAREFULLY AND KEEP FOR FUTURE REFERENCE

GENERAL POWER TOOL SAFETY INFORMATION.

Read, and make sure you fully understand, all safety information before using this tool.

Failure to follow the warnings and instructions may result in electric shock, fire and/or serious injury.

Please retain this manual for future reference.

INTENDED USE.

This Cordless Hedge Trimmer is for domestic use only. It is not intended for commercial use.

This tool is not intended for use by persons (including children) with reduced physical, sensory or mental capabilities, or lack of experience and knowledge, unless they have been given supervision and instruction concerning the use of the tool by a person responsible for their safety. Keep out of reach of children. Children should be supervised to ensure they do not play with the tool.

BEFORE FIRST USE.

Make sure your work area is clean and well lit. Cluttered or dark areas increase the risk of personal injury.

Do not operate power tools in explosive atmospheres such as in the presence of flammable liquids, gases or dust. Power tools create sparks which may ignite the dust or fumes.

Take precautions to ensure children and bystanders are kept away while operating a power tool. Distractions can cause you to lose control.

Dress appropriately. Do not wear loose clothing or jewellery. Hair should be tied back and clothing and gloves kept away from moving parts to ensure they do not become caught in the tool.

Use personal protective equipment.

Always wear eye protection. Protective

equipment such as a dust mask, non-skid safety shoes, hard hat, or hearing protection used for appropriate conditions will reduce the risk of personal injury.

ELECTRICAL SAFETY.

Power tool plugs must match the outlet. Never modify the plug in any way. Do not use any adaptor plugs with earthed (grounded) power tools. Unmodified plugs and matching outlets will reduce risk of electric shock.

Avoid body contact with earthed or grounded surfaces such as pipes, radiators, ranges and refrigerators. There is an increased risk of electric shock if your body is earthed or grounded.

Do not expose power tools to rain or wet conditions. Water entering a power tool will increase the risk of electric shock.

Do not abuse the cord. Never use the cord for carrying, pulling or unplugging the power tool. Keep the cord away from heat, oil, sharp edges and moving parts. Damaged or entangled cords increase the risk of electric shock.

When operating a power tool outdoors, use an extension cord suitable for outdoor use. Use of a cord suitable for outdoor use reduces the risk of electric shock.

RISK OF PERSONAL INJURY.

If the Cordless Hedge Trimmer is not functioning properly, has been dropped, damaged, left outdoors, or immersed in liquid, do not use, contact DOMU Brands customer services.

Stay alert, watch what you are doing and use common sense when operating a power tool. Do not use a power tool when tired or under the influence of drugs, alcohol or medication. A moment of inattention while operating power tools may result in serious injury to yourself or others.

WARNING

PLEASE READ THESE INSTRUCTIONS CAREFULLY AND KEEP FOR FUTURE REFERENCE

Be aware of unintentional starting. Ensure the switch is in the off position before connecting to the power source and/or battery pack, picking up or carrying the tool. Carrying power tools with your finger on the switch or energising power tools that have the switch on may result in serious injury.

Remove any adjusting key or wrench before turning the power tool on. A wrench or a key left attached to a rotating part of the power tool may result in personal injury.

Do not overreach. Keep proper footing and balance at all times. This will enable better control of the power tool in unexpected situations.

If devices are provided for the connection of dust extraction and collection facilities, ensure these are connected and properly used. Use of dust collection devices can reduce dust-related hazards.

Store idle power tools out of reach of children and do not allow persons unfamiliar with the power tool or these instructions to operate the Hedge Trimmer. Power tools are dangerous in the hands of untrained users.

POWER TOOL USE AND CARE.

Do not force the Cordless Hedge Trimmer. Use the correct power tool for your application. The correct power tool will do the job better and more safely at the rate for which it was designed.

Do not operate continuously for periods longer than those specified in the instructions.

Do not use the power tool if the switch does not turn it on and off. Any power tool that cannot be controlled with the switch is dangerous and must be repaired by a qualified electrical professional. Disconnect the plug from the power source and/or the battery pack from

the power tool before making any adjustments, changing accessories, or storing. Such preventive safety measures reduce the risk of starting the power tool accidentally.

Maintain your power tool. Check for misalignment or binding of moving parts, breakage of parts and any other condition that may affect the power tool's operation. If damaged, have the power tool repaired by a qualified repair person before use. Many accidents are caused by poorly maintained power tools.

Keep cutting tools sharp and clean. Properly maintained cutting tools with sharp cutting edges are less likely to bind and are easier to control.

Use the power tool, accessories and tool bits etc. in accordance with these instructions, taking into account the working conditions and the work to be performed. Use of the power tool for operations different from those intended could result in a hazardous situation.

Only use accessories supplied and/or recommended by DOMU Brands.

BATTERY/CHARGER USE AND CARE.

Recharge only with the charger specified by the manufacturer. A charger that is suitable for one type of battery pack may create a risk of fire when used with another battery pack.

Use power tools only with specifically designated battery packs. Use of any other battery packs may create a risk of injury and fire.

An extension cord should not be used unless absolutely necessary. Use of an improper extension cord could result in the risk of fire or electric shock.

The charger is not intended to be used for any purpose other than charging rechargeable batteries. Any other use may result in risk of fire or electric shock.

WARNING

PLEASE READ THESE INSTRUCTIONS CAREFULLY AND KEEP FOR FUTURE REFERENCE

First read the safety instructions and then follow the charging notes and procedures.

The charger is only designed to operate on standard household electrical power. Do not attempt to use it on any other voltage.

Never attempt to connect 2 chargers together.

Do not place any object on top of the charger or place the charger on a soft surface that may result in excessive internal heat.

Do not attempt to disassemble the charger. Take it to an electrician or power tool repairer when service or repair is required. Incorrect reassembly may result in a risk of electric shock or fire.

Do not expose the battery to direct sunlight for long periods of time.

Protect the battery and charger against water and moisture.

Protect the battery from heat and fire.

Place the charger in a position away from any heat source.

Remove the battery when the appliance is not in use or stored for periods of time.

When the battery pack is not in use, keep it away from other metal objects such as paper clips, coins, keys, nails, screws or other small metal objects that can make a connection from one terminal to another.

Shorting the battery terminals together may result in burns or a fire.

To facilitate cooling of the battery pack after use, avoid placing the charger or battery pack in a warm environment, such as a metal shed, or an uninsulated trailer. The battery pack is not fully charged out of the box.

To reduce the risk of electric shock, unplug the charger from the outlet before attempting any cleaning. Removing the battery pack will not reduce this risk.

To reduce risk of damage to the electric plug and cord, pull by the plug rather than the cord when disconnecting the charger.

Never attempt to open the battery pack for any reason or if the plastic housing of the battery pack breaks or cracks, immediately discontinue use and do not recharge.

Under abusive conditions, liquid may be ejected from the battery; avoid contact. If contact accidentally occurs, flush with water. If liquid comes into contact with eyes, additionally seek medical help. Liquid ejected from the battery may cause irritation or burns.

Have your power tool serviced by a qualified repair person using identical replacement parts only. This will ensure that the safety of the power tool is maintained.

Do not dispose of the battery in a fire.

Do not incinerate the battery pack even if it is seriously damaged or is completely worn out.

Do not dispose of the battery in household waste. Deliver the batteries to a collection centre for old batteries where they will be recycled in an environmentally friendly way.

STORAGE AND MAINTENANCE.

Locate the power tool out of reach of children, in a dry, locked unit.

Do not store or use the tool and battery pack in locations where the temperature may exceed 40°C (such as inside sheds or metal buildings in summer).

Ensure the handles remain clean and free from oil and moisture so as to maintain proper grip during operation.

Ensure the motor has fully stopped and the battery removed before cleaning, clearing a blockage, checking, or carrying out any maintenance on the machine.

WARNING

PLEASE READ THESE INSTRUCTIONS CAREFULLY AND KEEP FOR FUTURE REFERENCE

Regularly check external nuts and fixings to ensure vibration caused by normal use has not begun to loosen them.

Make sure the cord is located so that it will not be stepped on, tripped over, or otherwise subjected to damage or stress.

SAFETY SYMBOLS

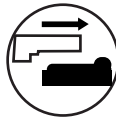
The following safety symbols may appear on this product. Please ensure you understand their meanings before operating this tool in order to prevent personal injury and avoid damage to the tool.



USE PRECAUTION
For your safety



PROTECTIVE GLOVES
Must be worn when operating



REMOVE BATTERY
From the appliance before cleaning



INSTRUCTION MANUAL
Read and understand



SUITABLE FOOTWEAR
Must be worn



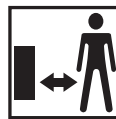
EAR & EYE PROTECTION
Must be worn



UNSUITABLE WEATHER
Do not use in wet conditions



DUST MASK
Must be worn



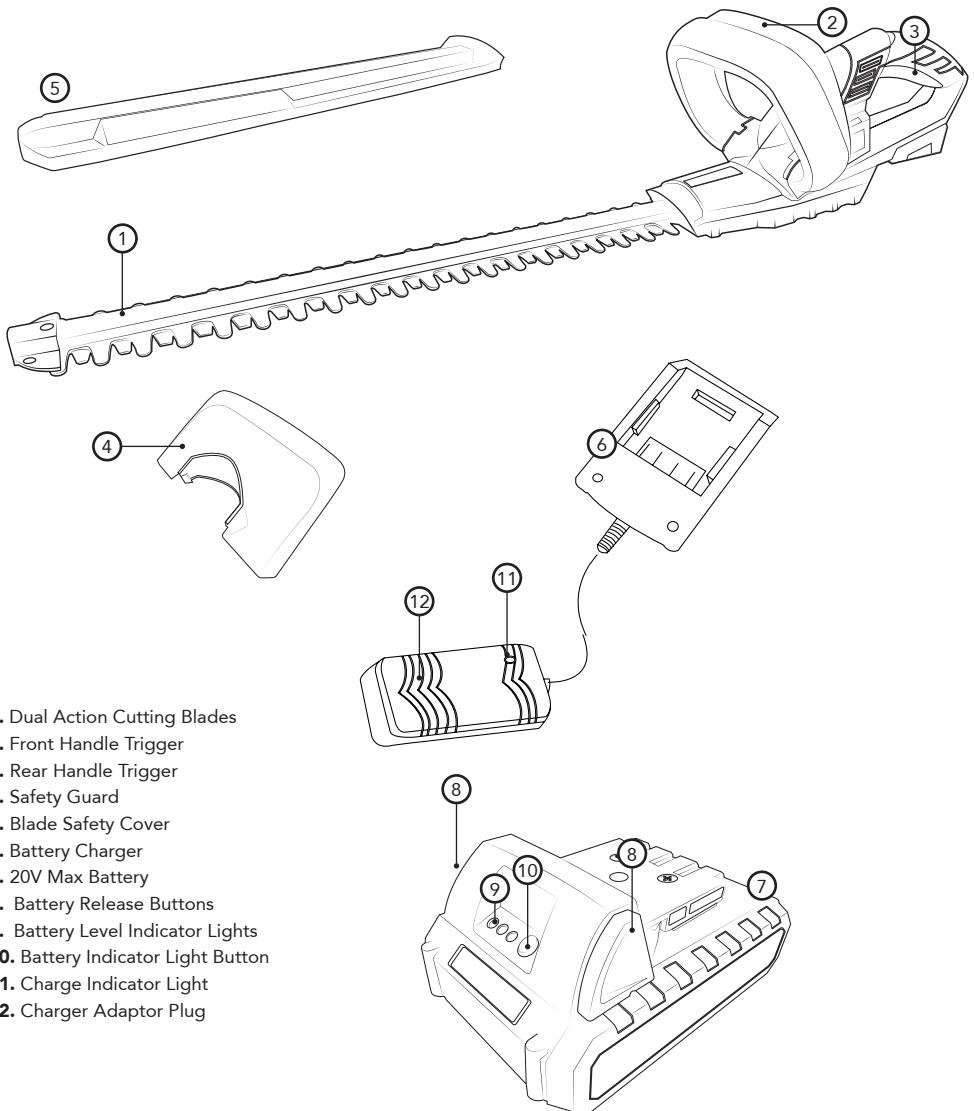
SAFE DISTANCE
Mind bystanders



RISK OF INJURY
Keep hands at a safe distance

TECHNICAL SPECIFICATION

BATTERY MAX	CHARGE TIME	BATTERY	NO LOAD SPEED	MAX CUTTING CAPACITY
V	Hours	Li-Ion	min ⁻¹	mm
20	1	1500mAh	1400	14



1. Dual Action Cutting Blades
2. Front Handle Trigger
3. Rear Handle Trigger
4. Safety Guard
5. Blade Safety Cover
6. Battery Charger
7. 20V Max Battery
8. Battery Release Buttons
9. Battery Level Indicator Lights
10. Battery Indicator Light Button
11. Charge Indicator Light
12. Charger Adaptor Plug

CHARGING THE LITHIUM-ION BATTERY PACK

Plug the Charger Adaptor Plug (12) into a mains power outlet. The green Charge Indicator Light (11) on the Charger Adaptor Plug will illuminate to indicate that power is being supplied.

With the 20V Max Battery (8) sitting flat on a bench/table, align the Battery with the Battery Charger Adaptor (10) and slide the Battery into the recess of the battery terminals to create a firm connection.

NOTE: The Battery only fits one way. If it will not fit, this means that it is upside down.

The Battery will take up to 1 hour to charge. Charging will begin automatically.

LEVEL OF CHARGE

Pressing the Charge Indicator Button (A) will indicate the degree of charge by means of the Charge Light (B) and Charge Indicator Lights (C).

If the Charge Light turns red and the Charge Indicator Lights fail to come on, the battery requires charging.

If the Charge Light does not light up, and the Charge Indicator Lights turn green, the battery is charged.

The Charge Indicator Lights indicate the level of charge as follows:

1 light flashing = The Battery is low/requires charging.

2 solid green lights = The Battery is partially charged.

3 solid green lights = The Battery is fully charged.

You can also press the Charge Indicator Button whilst the device is charging:

If the Charge Indicator Lights turn green and flicker, the battery is charging.

If the Charge Indicator Lights turn green and do not flicker, the battery is fully charged.

NOTE: The Battery will not reach its full charge the first time it is charged.

IF THE LIGHT ON THE CHARGER ADAPTOR FAILS TO COME ON:

Check that the Charger Adaptor Plug is securely plugged into the mains power outlet and switched on.

Check that the Battery Charger Adaptor is securely connected into the socket of the Battery.

IF THE BATTERY DOES NOT CHARGE PROPERLY:

Check the power outlet by plugging in a lamp or other appliance.

If charging problems persist, have the complete tool checked by an electrician or qualified power tool repairer.

IMPORTANT CHARGING NOTES:

DISCHARGING

To protect the Battery against deep discharging when the Battery is flat, a protective circuit will switch off the Hedge Trimmer. The Hedge Trimmer Blade (1) will stop moving. Do not continue to press the ON/OFF Trigger (9) after an automatic shut-off as this will damage the Battery.

The Battery must be recharged before further use.

NOTE: Up to 30 minutes cooling time may be required (depending on ambient temperature and the operation being performed) before the Battery will start the charging cycle.

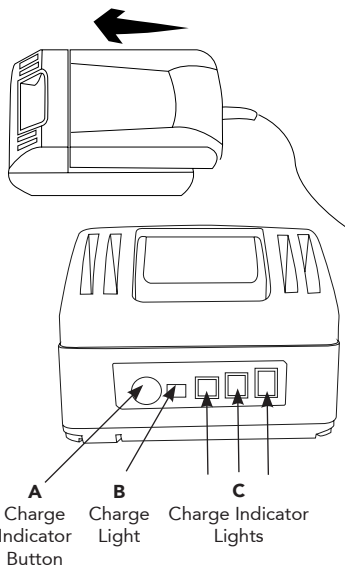
CAUTION: This unit's Battery pack has low voltage protection. This means that, when fully discharged, the unit will suddenly stop and will require charging. You will not experience the normal tapering off or slowing down of power as seen with other battery types.

OVERHEATING

The Battery Charger Adaptor and Battery may become warm to the touch while charging. This is normal and is not a fault with the product. Use the Battery Charger Adaptor at normal room temperature whenever possible.

CAUTION: To prevent overheating, do not cover the charging unit and do not charge the Battery in direct sunlight or near heat sources.

CAUTION: Always remove the Charger Adaptor Plug from the mains power outlet when not in use.



INSTALLING & REMOVING THE BATTERY

WARNING! Always switch off the tool before removing or inserting the Battery.

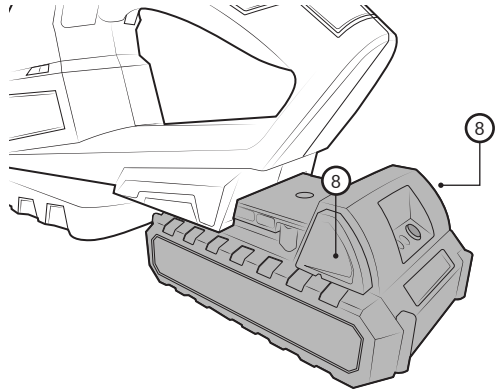
Align the notches to the base of the Hedge Trimmer Rear Handle, with those on the Battery and slide the Battery and Hedge Trimmer together until the Battery locks into place.

CAUTION: Do not use excessive force when inserting the Battery if resistance occurs. If the Battery does not slide in easily, it is not being inserted correctly and could cause damage to the Battery, terminals or the Hedge Trimmer.

WARNING: Do not operate the switches whilst inserting the Battery.

REMOVING THE BATTERY

Press the **Battery Release Buttons (8)** to release the Battery from the Hedge Trimmer and slide away from the body to remove.

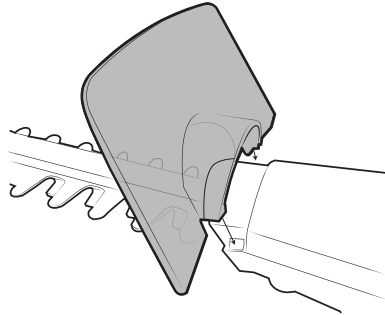


GUARD ASSEMBLY

Before usage, ensure the Safety Guard has been attached to the Hedge Trimmer.

To attach push the Guard onto the front section of the Hedge Trimmer, this will "click" into place.

Ensure the Safety Guard is installed before operating the Hedge Trimmer.



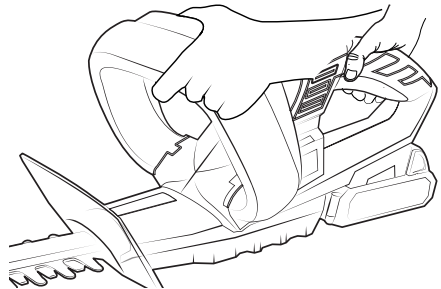
WORKING POSITION

Maintain proper footing and balance and be careful not to overreach.

Always wear safety goggles, non-slip footwear and rubber gloves when using the Hedge Trimmer.

Hold the tool firmly in both hands and turn the tool on by squeezing both switches.

Always hold the Hedge Trimmer with one hand on the Front Handle and one hand on the Rear Handle. Never hold the tool by the Safety Guard.



OPERATION

CAUTION: Always hold the Hedge Trimmer with both hands when in use.

POWERING ON THE HEDGE TRIMMER

To start the Hedge Trimmer press the **Front Handle Trigger (2)** along with the **Rear Handle Trigger (3)**.

NOTE: When the Hedge Trimmer starts up there may be some kickback, always ensure you are stood firmly and have a firm grip.

POWERING OFF THE HEDGE TRIMMER

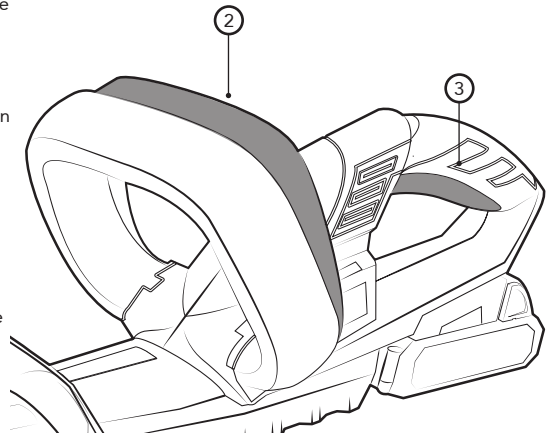
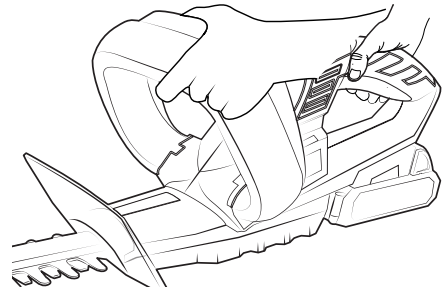
To power off the Hedge Trimmer release either of the Triggers **(2/3)**

Wait until the Blades come to a complete stop before carrying out any maintenance or storing the tool.

BLADE BRAKE

The Hedge Trimmer is fitted with an electric brake which very quickly brings the blades to a stop as soon as either of the Triggers are released.

This is an important safety feature that greatly reduces the chance of injury to the operator if a hand slips off the Front or Rear Handle and control is temporarily lost. When the unit is switched off and the motor brake operates, there may be some sparking (or flashing) in the area of the upper motor ventilation slots. This is normal and does not indicate any problem with the tool.



CLEANING & MAINTENANCE

Before storing, always remove the Battery from the tool and clean and lubricate the cutting blade.

Dry the Cutting Blades before storage to prevent corrosion.

When transporting or storing the Hedge Trimmer, always fit the **Blade Safety Cover (5)**.

Store the tool in a secure, dry place, out of reach of children and animals.

Do not place other objects on top of the machine when storing.

Storing the tool outside in a damp environment such as a garden shed may cause certain components such as the Blades to corrode.

CAUTION: Do not use abrasive materials to clean the product.

WARNING! Do not immerse any part of the tool in water or any other liquid.

Clean the exterior of the machine thoroughly using a soft brush and cloth.

WARNING! Do not use water or solvents.

Remove all debris, especially from the ventilation slots on the motor housing.

BLADE MAINTENANCE

WARNING! Always wear gloves when handling or cleaning the Dual Action Cutting Blades.

Always clean the Dual Action Cutting Blades after operation and coat with lubricating oil or spray. This will prevent the Blades from becoming seized or corroded during storage.

During longer cutting periods of 15 mins or longer, it is recommended that you lubricate the Blades in order to improve cutting performance.

A lack of lubrication can severely effect the products run time and may cause the blade to overheat. Before use, visually check the condition of the cutting edges of the Cutting Blades and check the tightness of the bolts.

When not in use, ensure the Cutting Blades are covered with the Safety Guard provided and that they have been lubricated.

Failure to do so may cause the Blades to corrode and will severely reduce cutting performance and Battery run times.

TROUBLESHOOTING

PROBLEM	SOLUTION
TOOL DOES NOT POWER ON.	Check that the Battery is connected correctly. Check that the Battery is fully charged before use. Ensure that the Charger is charging correctly.
BLADES DO NOT MOVE.	The Blades may be blocked. Power off and remove the blockage. The Blades may have siezed. Contact DOMU Brands Customer Services.
POOR CUTTING PERFORMANCE.	The Blades may be damaged. Contact DOMU Brands Customer Services. The Battery may be low, remove the Battery and recharge.
BLADES BECOME HOT.	The Blades have not been lubricated. Power off the tool and remove the battery, then lubricate the Blades as necessary.
BLADES JUDDERING OR VIBRATING ABNORMALLY.	There is a blockage. Power off the tool and remove the blockage.

DISPOSAL INFORMATION

PRODUCT DISPOSAL INFORMATION

For electrical products sold within the European Community, at the end of the electrical product's useful life, it should not be disposed of with household waste. Please recycle where facilities exist.

Contact your local authority for details of collection schemes in your area.

IN ALL CIRCUMSTANCES:

Do not dispose of in domestic waste.
Do not incinerate.
Do not abandon in the environment.
Do not dispose of WEEE as unsorted municipal waste.

HEALTH AND SAFETY FOR BATTERIES

Do not put in fire or mutilate – cells may burst and release toxic material.
Do not short-circuit cells as this may cause fire or burns.
The battery must be removed from the appliance before being scrapped.
The battery is to be disposed of safely.

BATTERY DISPOSAL INFORMATION

Do not mutilate batteries as corrosive electrolytes and flammable materials will be released.
Do not incinerate – Danger of explosion and release of toxic fumes.
Do not dispose of batteries or cells in a charged condition.
Expired lithium-ion batteries must be recycled/disposed of in accordance with the appropriate regulation or legislation. They should be returned to your local warranty agent/stockist.



CUSTOMER SERVICE

If you are having difficulty using this product and require support, please contact support@domu.co.uk

WARRANTY

To register your product and find out if you qualify for a free extended warranty please go to

Vonhaus.com/warranty.

Please retain a proof of purchase receipt or statement as proof of the purchase date.

The warranty only applies if the product is used solely in the manner indicated in the Warnings page of this manual, and all other instructions have been followed accurately. Any abuse of the product or the manner in which it is used will invalidate the warranty.

Returned goods will not be accepted unless re-packaged in its original packaging and accompanied by a relevant and completed returns form. This does not affect your statutory rights.

No rights are given under this warranty to a person acquiring the appliance second-hand or for commercial or communal use.

COPYRIGHT

All material in this instruction manual are copyrighted by DOMU Brands.

Any unauthorised use may violate worldwide copyright, trademark, and other laws.

DECLARATION OF CONFORMITY

We:

DOMU Brands Ltd
5th Floor The Tower
Deva City Office Park
Manchester
M3 7BF

Declare under our sole responsibility that the product:

SKU: 2515067

Description: VonHaus 20V Max Hedge Trimmer

To which this declaration relates is in conformity with the following directives:

2014/30/EU, 2006/42/EC, 2014/35/EU, 2011/65/EU, 2006/66/EU amended
by 2013/56/EU

Thank you for purchasing the 20V Max Hedge Trimmer

VonHaus® is a registered trademark of DOMU Brands Ltd
Made in China for DOMU Brands Ltd. Unit 30, Stakehill Industrial Estate, Middleton, Manchester M24
2RW. EU Representative - DOMU Brands B.V Hofplein 20, 3032 AC, Rotterdam.