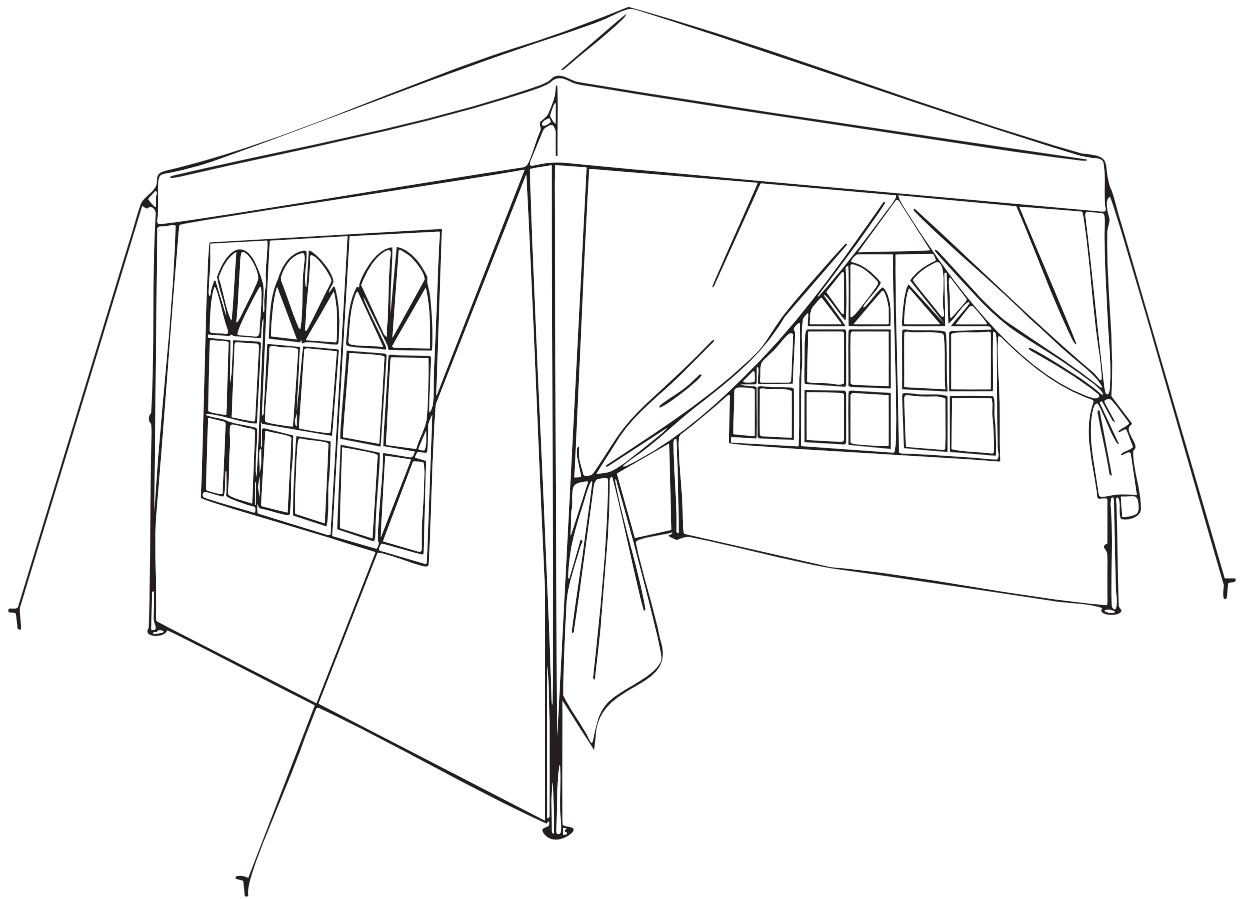


vonhaus

POP UP GAZEBO



Setup Instructions

Product No.: 2500386.1 / 2500387.1 /
2500388.1 / 2500389.1 / 2500390.1 /
2500391.1

WARNING!

Our pop-up gazebos are NOT permanent structures and should not be left unattended overnight, or for prolonged periods of time (especially in adverse weather). If intense winds, snowfall or heavy rain are forecast, we recommend for your gazebo to be taken down.

Need further help?

support@vonhaus.com

Besoin d'aide supplémentaire ?

support@vonhaus.com

Benötigen Sie weitere Hilfe?

support@vonhaus.com

Necesita más ayuda?

support@vonhaus.com

Hai bisogno di ulteriore assistenza?

support@vonhaus.com

See our full range at

www.vonhaus.com

Découvrez notre gamme complète sur

www.vonhaus.com

Entdecken Sie unser gesamtes

Sortiment auf

www.vonhaus.com

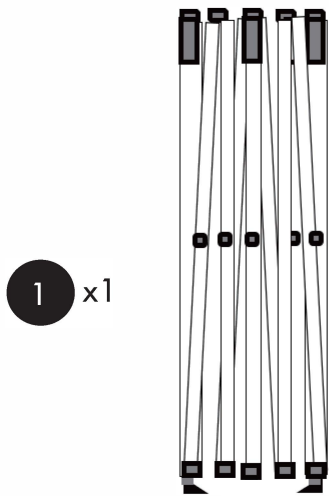
Descubra toda nuestra gama en

www.vonhaus.com

Scopri tutta la nostra gamma su

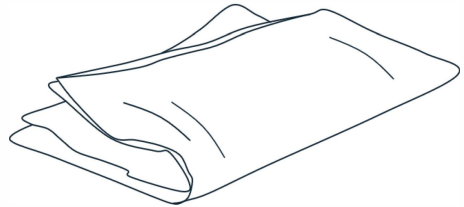
www.vonhaus.com

Components

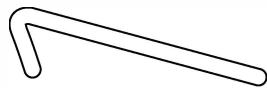


1 x1

2



3 x4

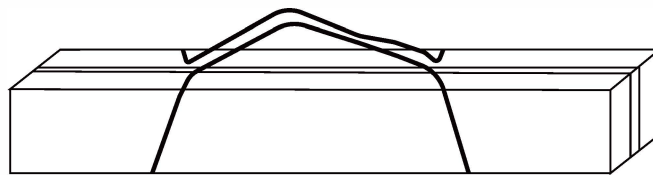


4 x4

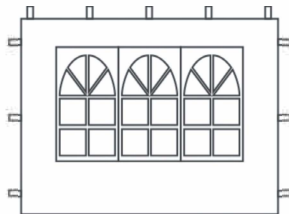


5

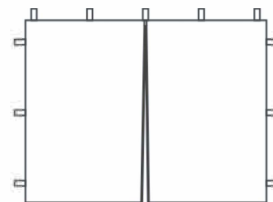
x1



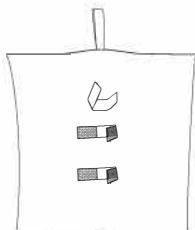
6 x2



7 x2



8 x4

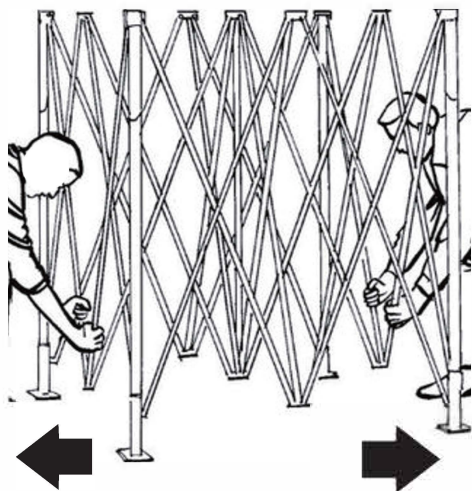


1. Frame
2. Canopy
3. Ground Pegs
4. Tie-down rope

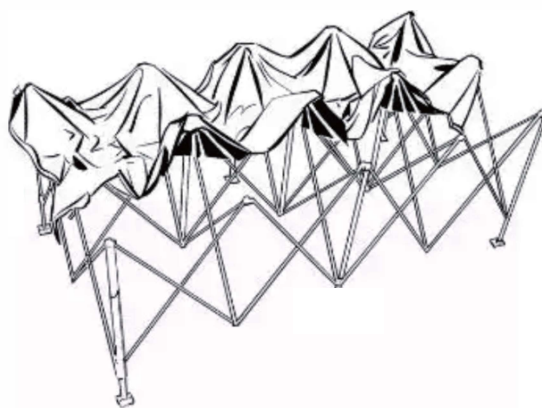
5. Carrier Bag
6. Sides
7. Doors
8. Sandbag

Assembly

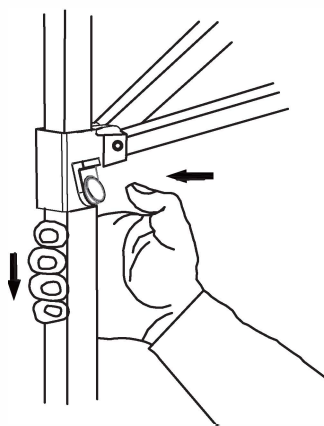
1



2

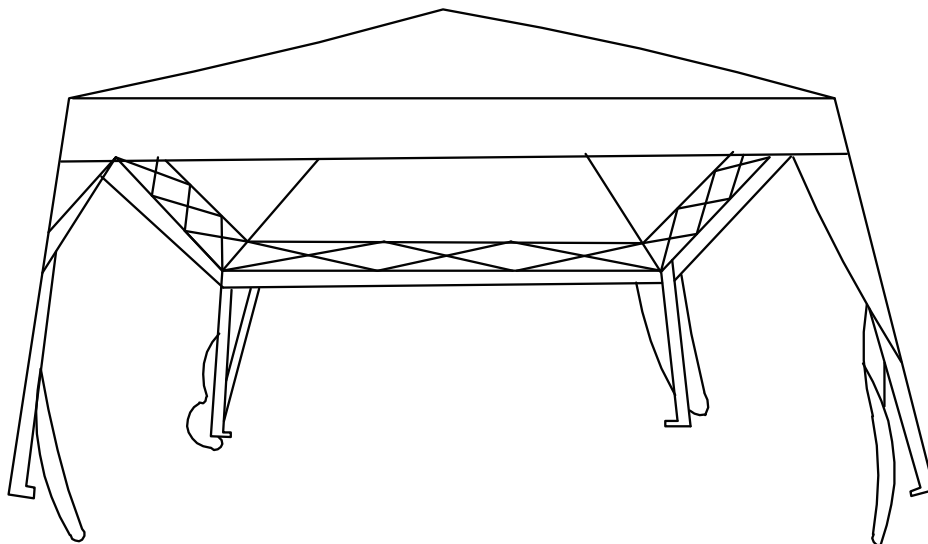


3



Assembly

4



En: Loop canopy around the legs of the frame

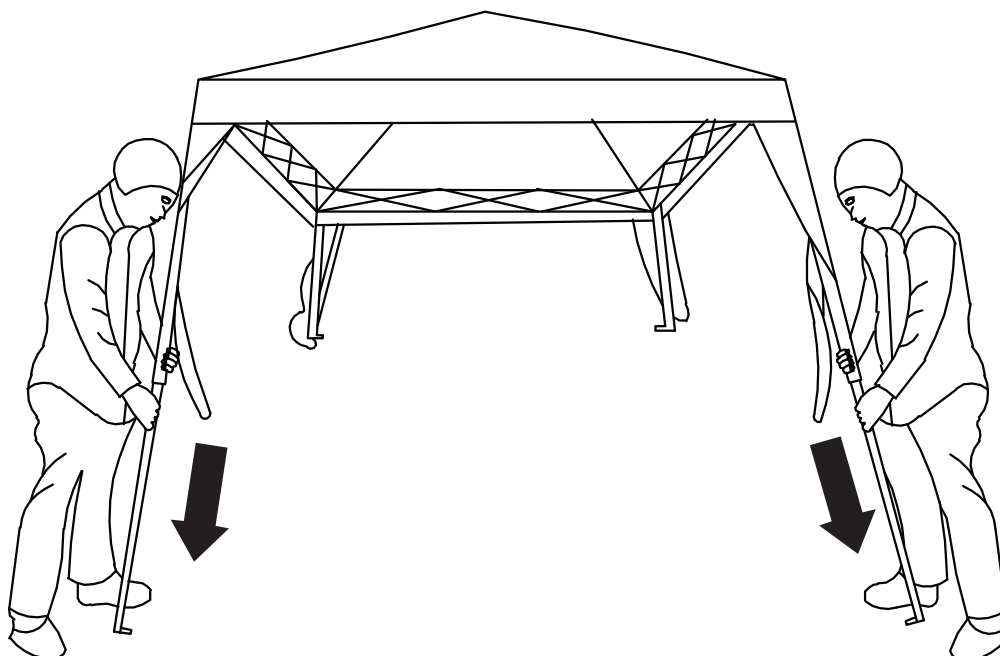
Fr: Bouclez la canopée autour des pieds du cadre

De: Schlaufen Sie das Verdeck um die Beine des

Es: Enrolle el dosel alrededor de las patas del marco

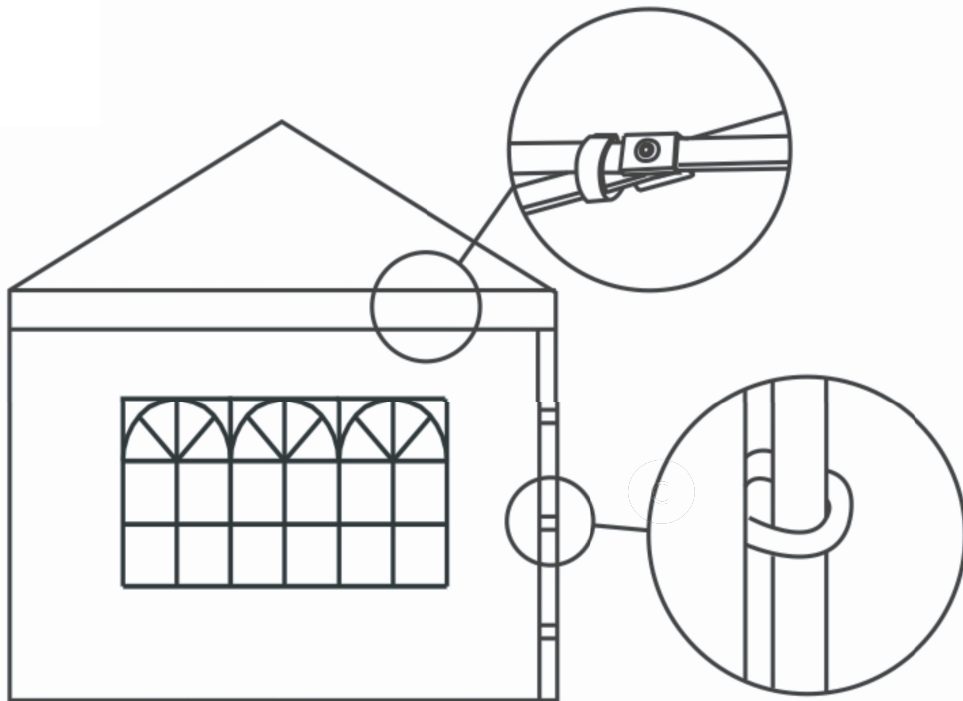
It: Avvolgi il baldacchino intorno alle gambe del telaio

5

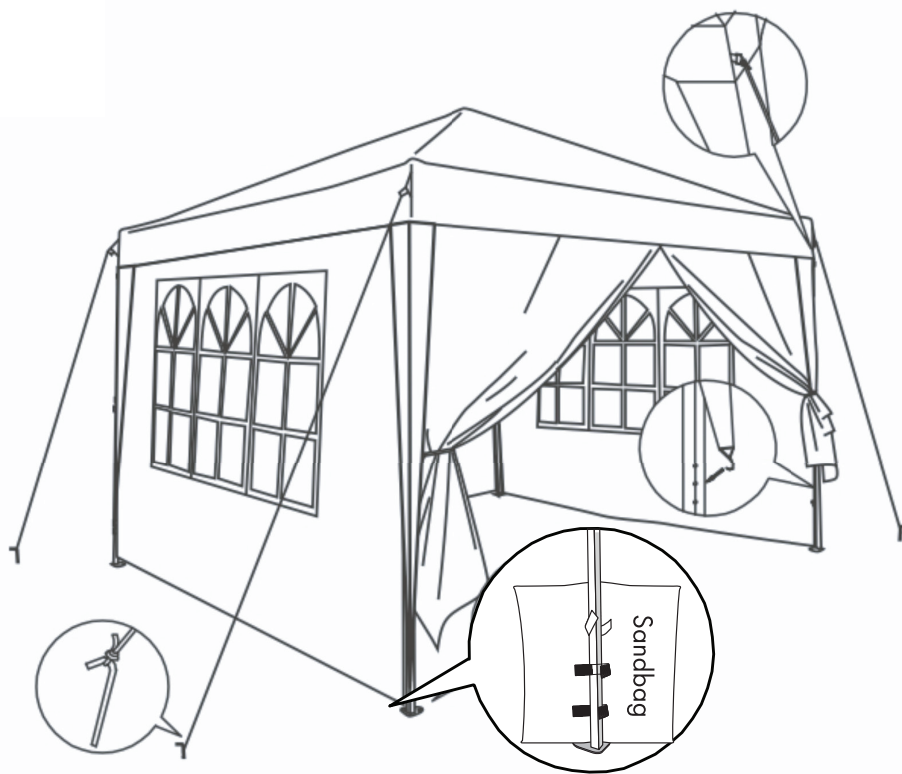


Assembly

6



7



Information

Maintenance

- Clean the gazebo regularly with a soft brush and mild detergent solution
- Inspect the structure periodically for any signs of damage or wear
- Tighten any loose bolts or screws to maintain stability
- Remove and store detachable parts indoors during extreme weather conditions

Health & Safety

- Regularly inspect the gazebo for any signs of damage or wear.
- Keep the surrounding area clear of obstructions and debris.
- Ensure the gazebo remains securely anchored to the ground at all times.
- Do not use the gazebo during extreme weather conditions, such as strong winds or heavy rain.

Thank You

Thank you for purchasing your product/appliance.

Should you require assistance with your purchase, please contact us at support@domu.co.uk

VonHaus is a registered trademark of DOMU Brands Ltd.

Made in China for DOMU Brands.

Authorised Representative

Authorised Representative Service
77 Camden Street Lower
Dublin, D02 XE80, Ireland

Legal

DISPOSAL INFORMATION

Please recycle where facilities exist. Check with your local authority for recycling advice.

CUSTOMER SERVICE

If you are having difficulty using this product and require support, please contact support@vonhaus.com

WARRANTY

To register your product and find out if you qualify for a free extended warranty please go to www.vonhaus.com/warranty.

Please retain a proof of purchase receipt or statement as proof of the purchase date.

The warranty only applies if the product is used solely in the manner indicated in the warnings page of this manual, and all other instructions have been followed accurately.

Any abuse of the product or the manner in which it is used will invalidate the warranty.

RETURNS

Returned goods will not be accepted unless re-packaged in its original packaging and accompanied by a relevant and completed returns form. This does not affect your statutory rights.

No rights are given under this warranty to a person acquiring the appliance second-hand or for commercial or communal use.

COPYRIGHT

All material in this instruction manual are copyrighted by DOMU Brands.

Any unauthorised use may violate worldwide copyright, trademark, and other laws.



Product No.: 2500386.1/
2500387.1 / 2500388.1/
2500389.1 / 2500390.1 / 2500391.1