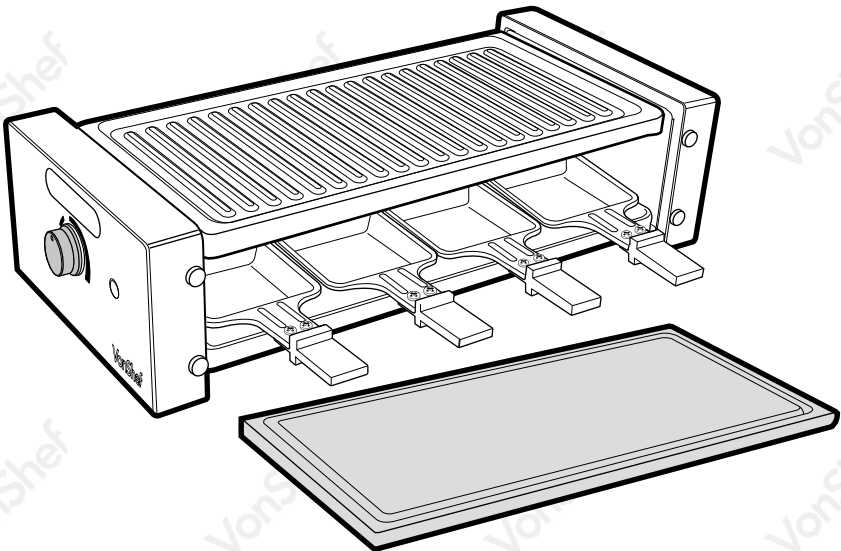


# 1200W 8 PERSON RACLETTE GRILL & STONE

2000064 - Instruction Manual



# CONTENTS

---

Safety Instructions	1
Safety Instructions	2
Specification	3
Before First Use, Operation	4
Cleaning & Maintenance, Warranty	5

---

# SAFETY INSTRUCTIONS

---



## WARNING



PLEASE READ THESE INSTRUCTIONS CAREFULLY AND KEEP FOR FUTURE REFERENCE.

### INTENDED USE.

Only operate the VonShef® 8 Person Raclette Grill for its intended purpose and within the parameters specified in this manual.

This Raclette Grill is for indoor, domestic use only. Do not use outdoors or for commercial purposes.

This appliance is not intended for use by persons with reduced physical, sensory or mental capabilities, or lack of experience and knowledge, unless supervised or given appropriate instruction concerning the product's use by a person responsible for their safety.

This appliance is not intended for use by children.

### GENERAL PRECAUTIONS.

When using an electrical appliance, basic precautions should always be followed, including the following:

Do not allow to be used as a toy. Children should be supervised to ensure they do not play with the appliance.

If the Raclette Grill is not functioning properly, has been dropped, damaged, left outdoors, or immersed in liquid, do not use, contact DOMU Brands Customer Services.

Do not use the Raclette Grill if any parts appear to be faulty, missing or damaged.

Ensure all parts are securely attached before use.

### CABLES AND PLUGS.

Do not handle plug or appliance with wet hands.

Check to ensure your electricity supply matches that shown on the rating plate. The product should only be used as rated. Preferably, the socket outlet should be protected by a Residual Current Device (RCD).

The use of an extension cable is not recommended.

Do not use with damaged cable or plug. If the supply cable is damaged, it must be replaced by a qualified engineer or authorised service agent in order to avoid a hazard.

Do not pull the cable around sharp edges or corners.

Keep the cord away from heated surfaces.

Do not let the cord hang over the edge of the table or countertop where it could be pulled on inadvertently by children or pets.

Do not leave unattended when plugged in. Unplug from outlet when not in use.

Turn off all controls before unplugging.

Do not unplug by pulling on cable. To unplug, grasp the plug, not the cable.

Always unplug before performing user maintenance, connecting or disconnecting attachments or changing accessories.

Ensure the cable is stored safely to prevent hazards.

# SAFETY INSTRUCTIONS

---



PLEASE READ THESE INSTRUCTIONS CAREFULLY AND KEEP FOR FUTURE REFERENCE.

## **RISK OF PERSONAL INJURY.**

Always locate your appliance away from the edge of the worktop, on a firm, flat, heat-resistant surface with sufficient space around all sides.

The Raclette Grill is not intended to be operated by means of an external timer or separate remote-control system.

Keep hair, loose clothing, fingers and all parts of the body away from openings and moving parts.

Do not insert any objects into openings or cover the appliance.

Do not drop or knock the Raclette Grill.

Do not preheat the Raclette Pans.

Do not overfill the Raclette Pans.

Do not operate the Raclette Grill without cooking or boiling anything as this will shorten the lifespan of the appliance.

When using for the first time, your Raclette Grill may give off a 'new' smell or vapour. This will dissipate after a few uses. Always operate in well ventilated areas.

Do not touch the surfaces of the Raclette Grill during use as it will become extremely hot. Only use the plastic handles or suitable oven mitts to handle parts.

Do not lift or move the appliance when in use.

Do not leave the appliance unattended when in use.

Do not operate continuously for periods longer than those indicated in this manual.

Always allow the Raclette Grill to cool completely before cleaning.

Do not place components in the freezer/ refrigerator.

Do not lubricate any parts or carry out any maintenance or repair work other than that shown in this manual, or as advised by the DOMU Brands Customer Care Helpline.

Use only as described in this manual and with DOMU Brands recommended accessories only.



**WARNING! HOT SURFACES**

# PRODUCT SPECIFICATION

VOLTAGE

V

220-240

RATED  
POWER

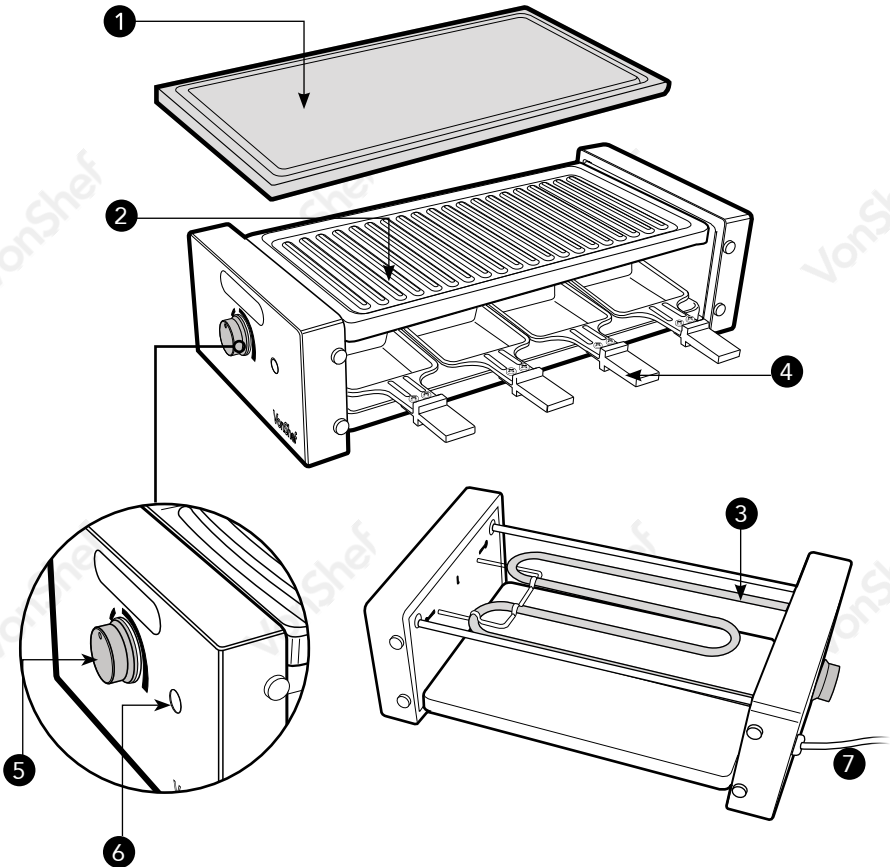
W

1200

RATED  
FREQUENCY

Hz

50/60



1. STONE PLATE.

2. GRILL PLATE.

3. HEATING ELEMENT.

4. RACLETTE PANS (x8).

5. TEMPERATURE CONTROL.

6. INDICATOR LIGHT.

7. POWER CORD.

# BEFORE FIRST USE

---

Before using this appliance for the first time, please ensure you complete the following steps:

- Carefully unpack the Raclette Grill and remove all packaging materials including any stickers or labels.
- Clean the accessories in warm soapy water and allow to dry completely.
- Wipe the **STONE & GRILL PLATE** with a slightly damp cloth and mild detergent. Dry thoroughly before attaching to the **HEATING ELEMENT**.

**CAUTION:** The **STONE & GRILL PLATE** is not dishwasher-safe. Wash by hand only. Avoid using any abrasive cleaners as this can damage the exterior/non-stick surface.



**WARNING!** Never immerse the **HEATING ELEMENT** in water or any other liquid to clean.

## OPERATION

---

- Ensure the appliance is placed on a stable, heat-resistant surface before attaching the **STONE** or **GRILL PLATE**.
- Connect the appliance to a suitable mains outlet and pre-heat the Grill for **5 minutes** by turning the **TEMPERATURE CONTROL** to the MAX position. The **INDICATOR LIGHT** will illuminate to indicate that the Grill is heating and ready for use.



**WARNING!** The **STONE & GRILL PLATE** will become extremely hot during use. Do not touch any surfaces of the Raclette Grill.

**NOTE:** When heated for the first time, the appliance may emit smoke from its surface. This is completely normal as the protective coating made in production is burnt off. Make sure that the area is well ventilated.

**IMPORTANT:** If you are cooking raw meat, we recommend that you slice the meat into thin strips or small squares to reduce cooking time.

- Reduce the temperature slightly before adding your food to the **STONE** or **GRILL PLATE**.

**IMPORTANT:** Ensure the **RACLETTE PANS** sit comfortably in the bevelled sections on the **HEATING BASE** for stability.

**CAUTION:** In order to avoid scratching the non-stick surface when using the **RACLETTE PANS**, only use plastic or wooden spatulas to stir or remove food.

# CLEANING & MAINTENANCE

---

**CAUTION:** Before carrying out cleaning or maintenance, disconnect the appliance from the mains.

- Once it has completely cooled, remove the **STONE** or **GRILL PLATE** from the **HEATING ELEMENT** and leave to soak in warm water and mild detergent. Gently wipe using a sponge or soft cloth.

**CAUTION:** Do not use any abrasive cleaning materials to clean the **PLATES** as this can scratch the surfaces.



**WARNING!** Do not immerse the **HEATING ELEMENT** in water or any other liquid to clean.

- Gently wipe the **HEATING ELEMENT** with a slightly damp cloth and detergent. Dry thoroughly using a soft cloth.
- Remove any remaining oils or fat in the **RACLETTE PANS** using paper towels, and wash in warm water. Gently scrub using a soft sponge.
- Store the appliance in a cool, dry area out of reach of children.

# CUSTOMER SERVICES

---

If you are having difficulty using your product and require support, please contact [hello@domu.co.uk](mailto:hello@domu.co.uk)

# DISPOSAL INFORMATION

---

Please recycle where facilities exist. Check with your local authority for recycling advice.

# WARRANTY

---

To register your product and find out if you qualify for a free extended warranty, go to:

[www.VonShef.com/warranty](http://www.VonShef.com/warranty)

Please retain a proof of purchase receipt or statement as proof of the purchase date.

The warranty only applies if the product is used solely in the manner indicated in this manual and all instructions have been followed accurately. Any abuse of the product or the manner in which it is used will invalidate the warranty.

Returned goods will not be accepted unless re-packaged in its original packaging and accompanied by a relevant and completed returns form. This does not affect your statutory rights.

No rights are given under this warranty to a person acquiring this appliance second-hand or for commercial or communal use.

# COPYRIGHT

---

All material in this instruction manual are copyrighted by DOMU Brands Ltd.

Any unauthorised use may violate worldwide copyright, trademark, and other laws.

Thank you for purchasing the 1200W 8 Person Raclette Grill & Stone.

VonShef® is a registered trademark of DOMU Brands Ltd  
Made in China for DOMU Brands Ltd M24 2RW.

---